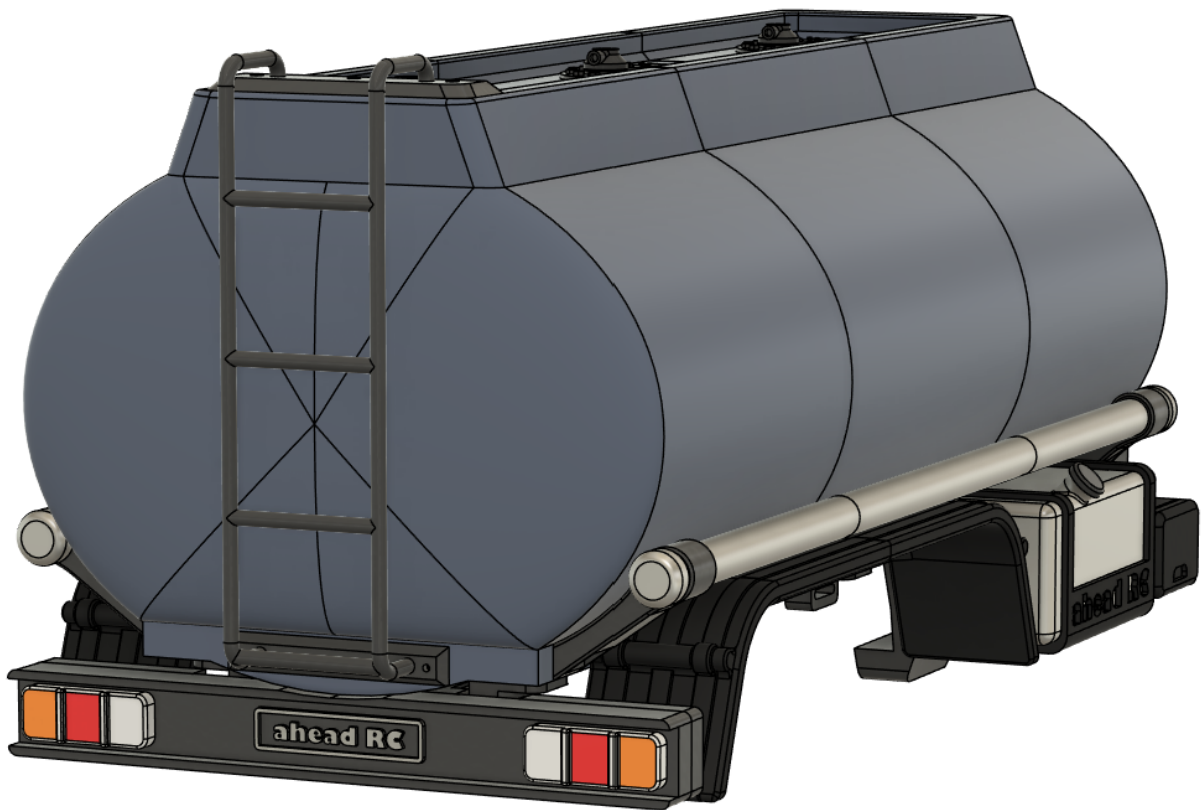


# **ahead RC** Crawler TGA Fuel Carrier TRX6 Assembly Manual



## Required tools and hardware

### Tools

- 1.5mm Hex Driver
- 2.0mm Hex Driver
- 2.5mm Hex Driver
- Needle Nosed Pliers
- Instant Glue
- Hot Glue

### Electronics

- 5mm Red LED x2
- 5mm Orange LED x2
- 5mm White LE x2

### Hardware

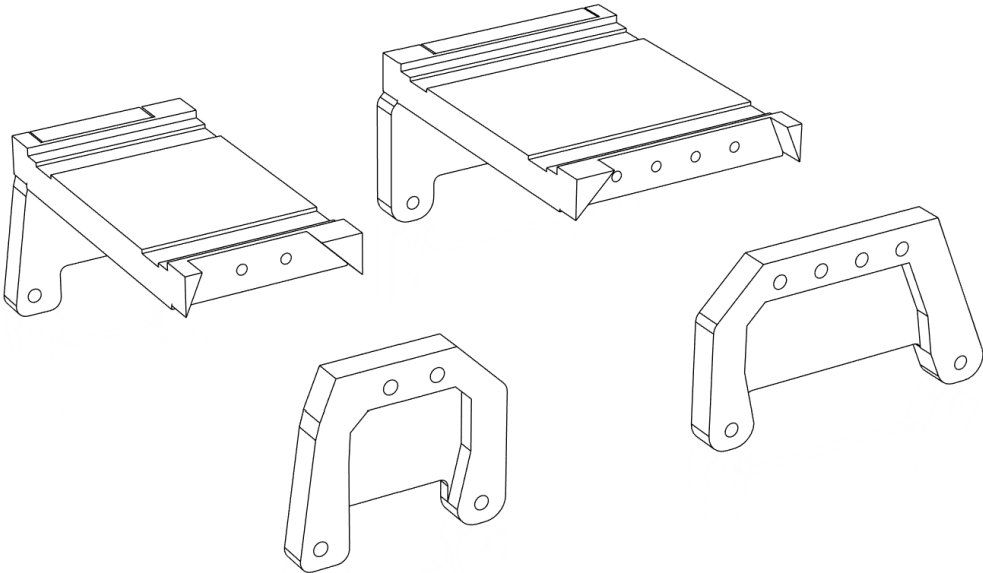
Hardware	Quantity	Check ✓
M2*10 Socket head	13	
M2*12 Socket head	8	
M3*15 Socket head	32	
M3*20 Socket head	16	
M3*30 Socket head	2	
M3*10 Countersunk (CS)	30	
M3*15 Countersunk (CS)	2	
M4*10 Grub screw (GS)	4	
M3 Washer	8	
12x4mm magnet (with countersunk hole)	12	

# Before you begin

- Be sure to read through the manual and familiarise yourself with the instructions
- Visualise a plan to assemble all the pieces
- Make sure you have all of the hardware and tools
- Be sure to have enough instant glue
- Dry fit all parts before painting and assembling

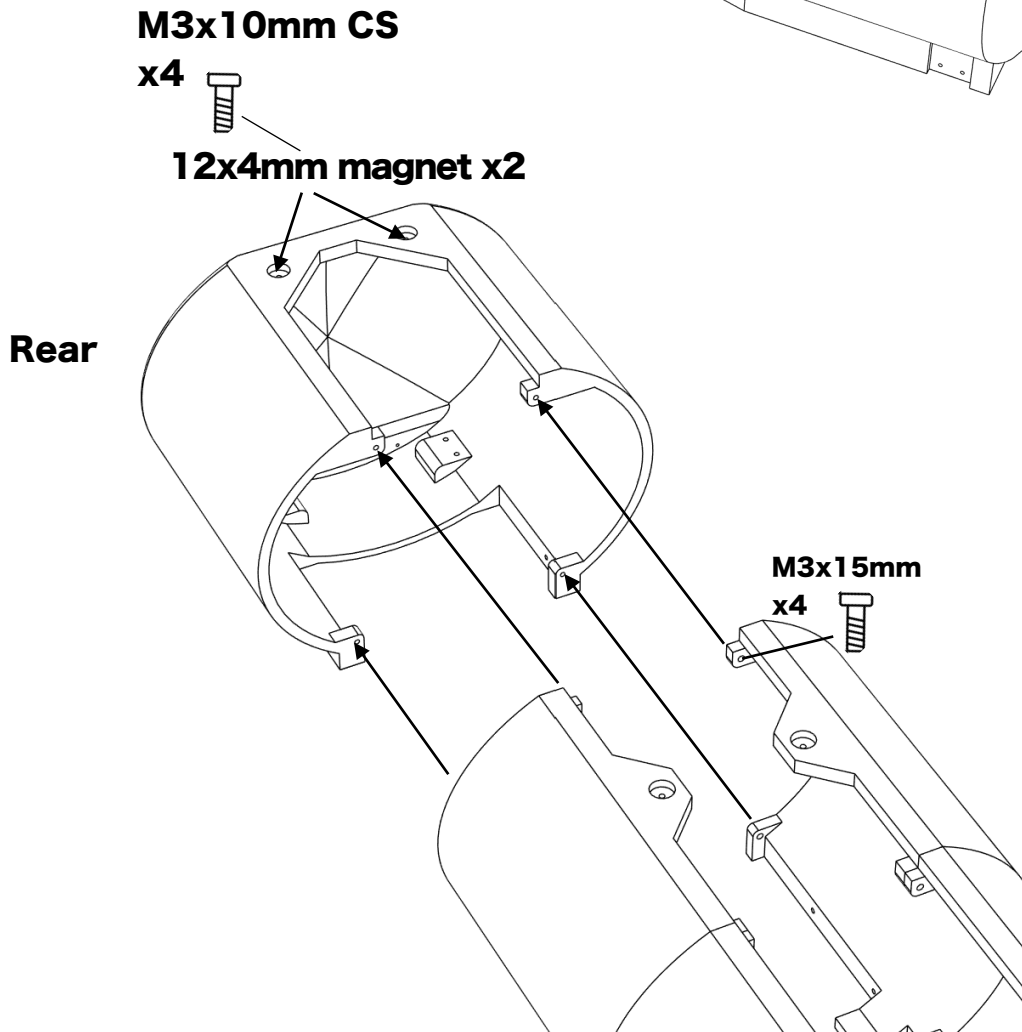
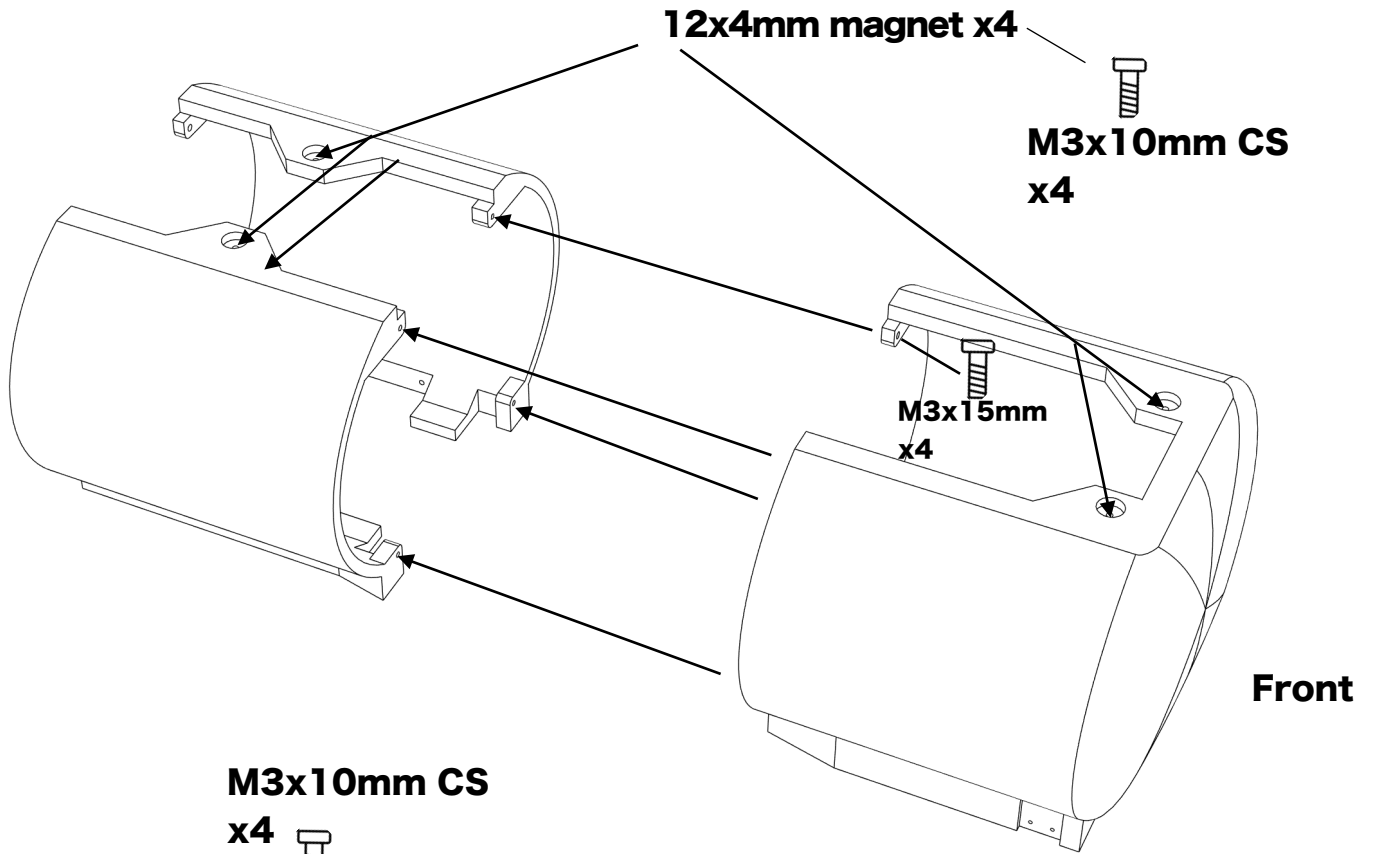
**Tip:** It will help to paint all of the parts before final assembly

# Installing the rear shock mounts

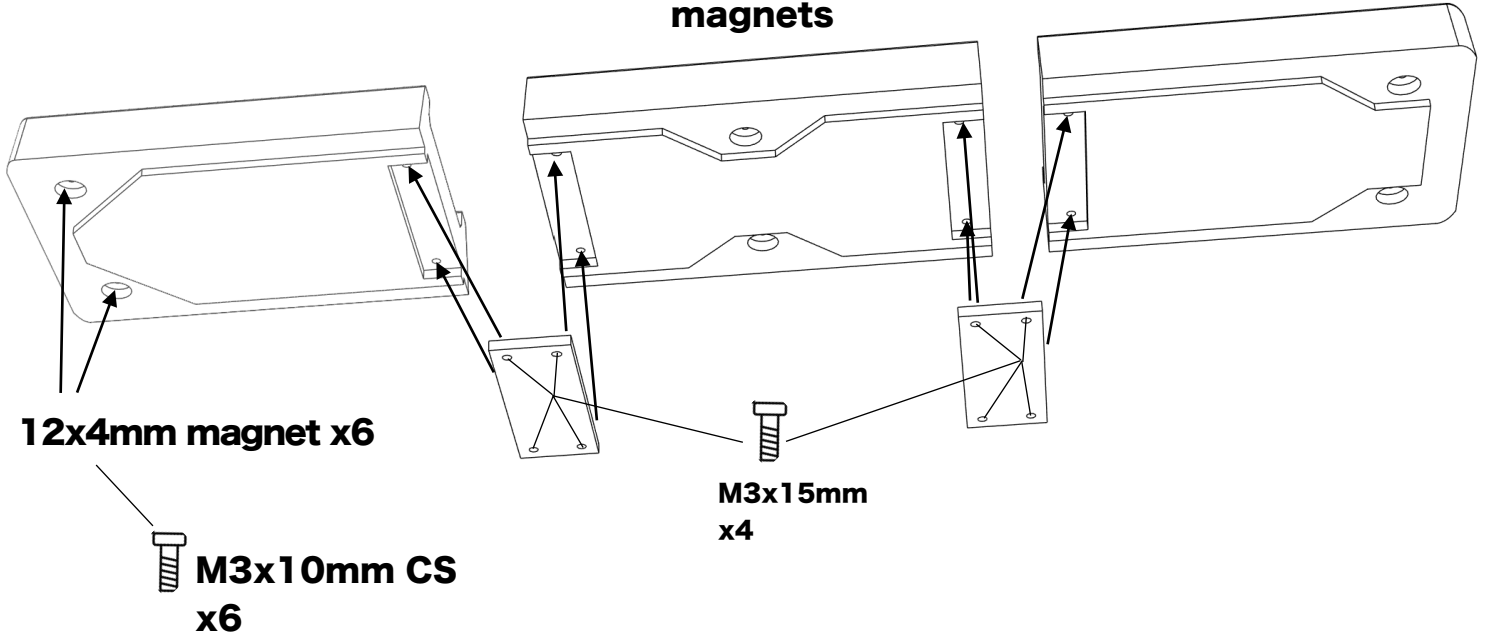


**Remove rear inner fenders  
before installing shock  
mounts**

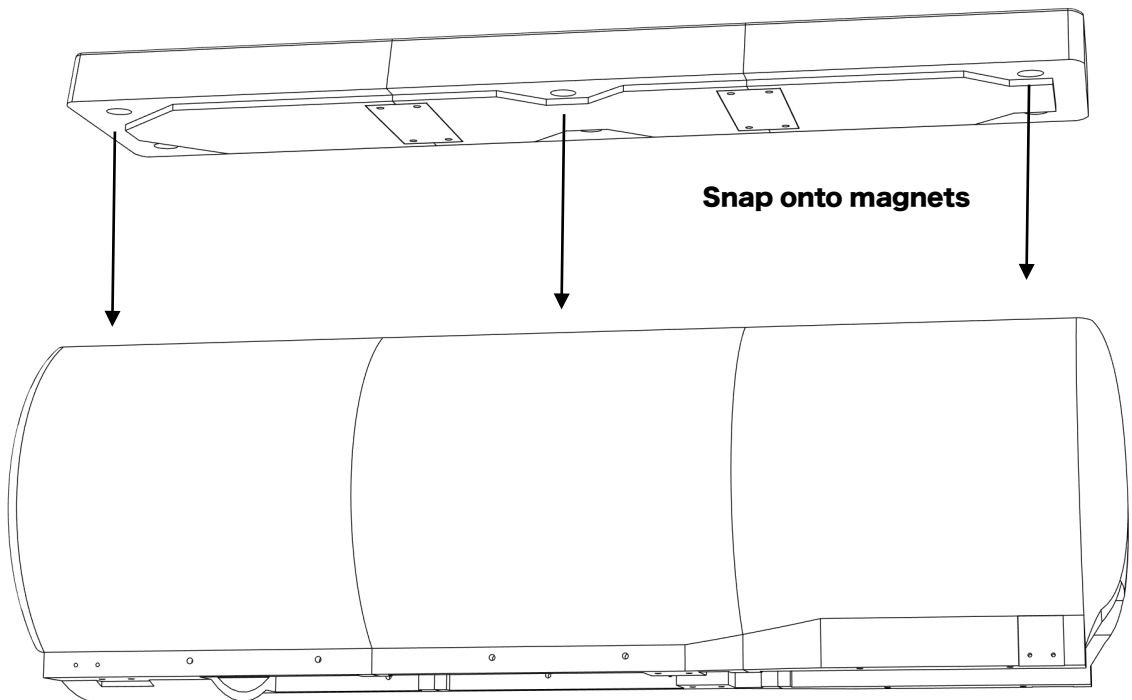
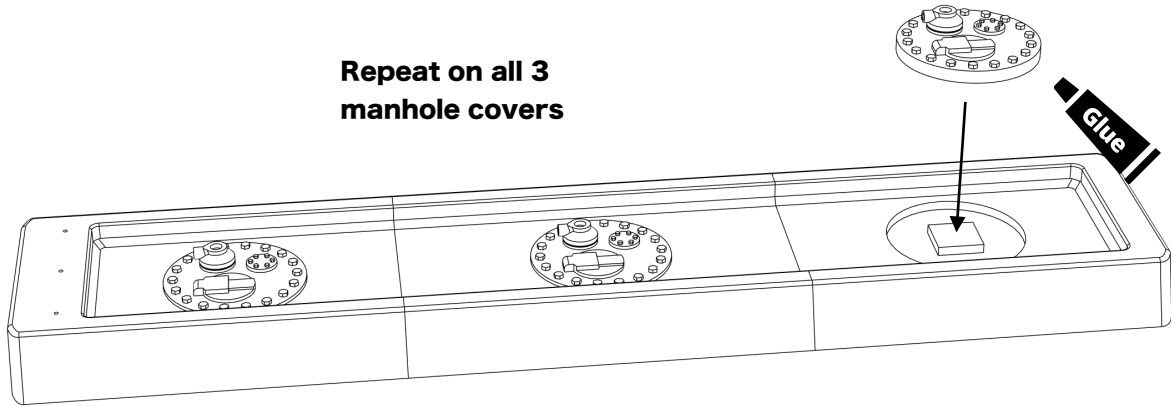
# Assembling the fuel carrier



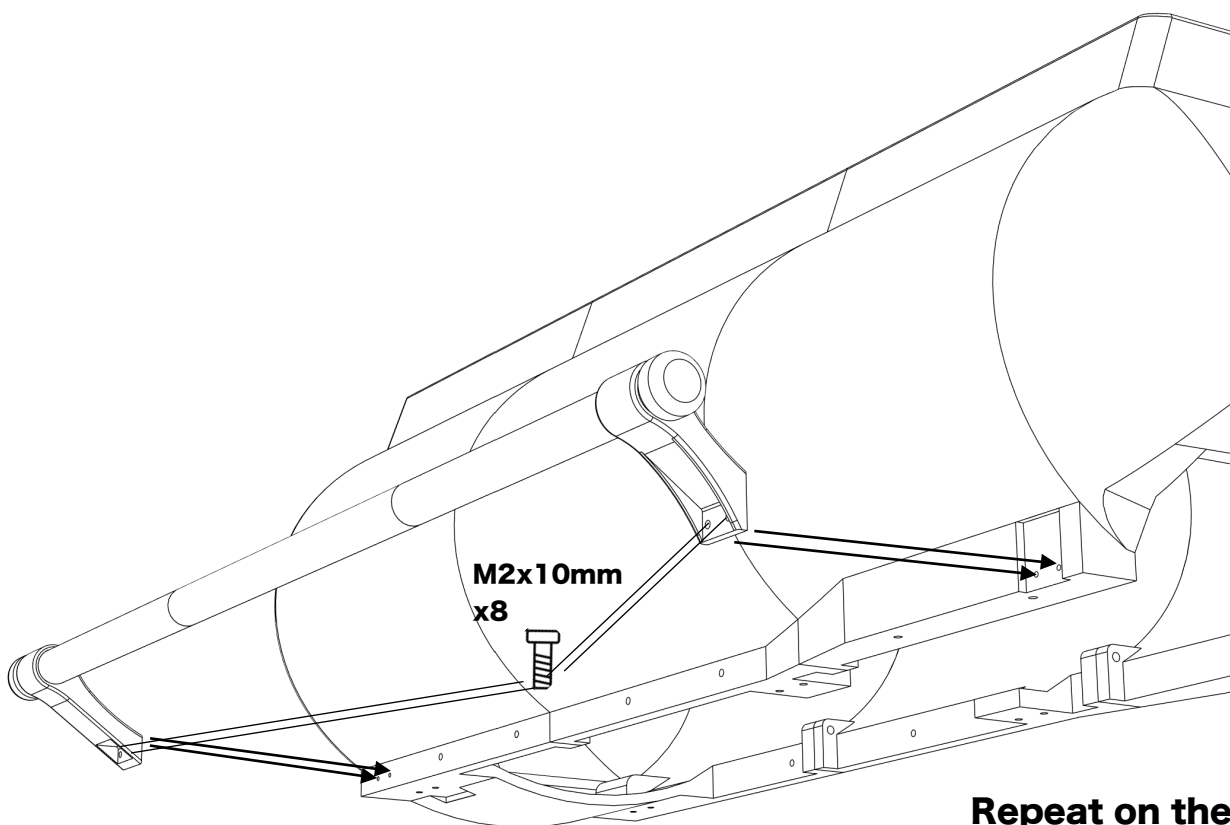
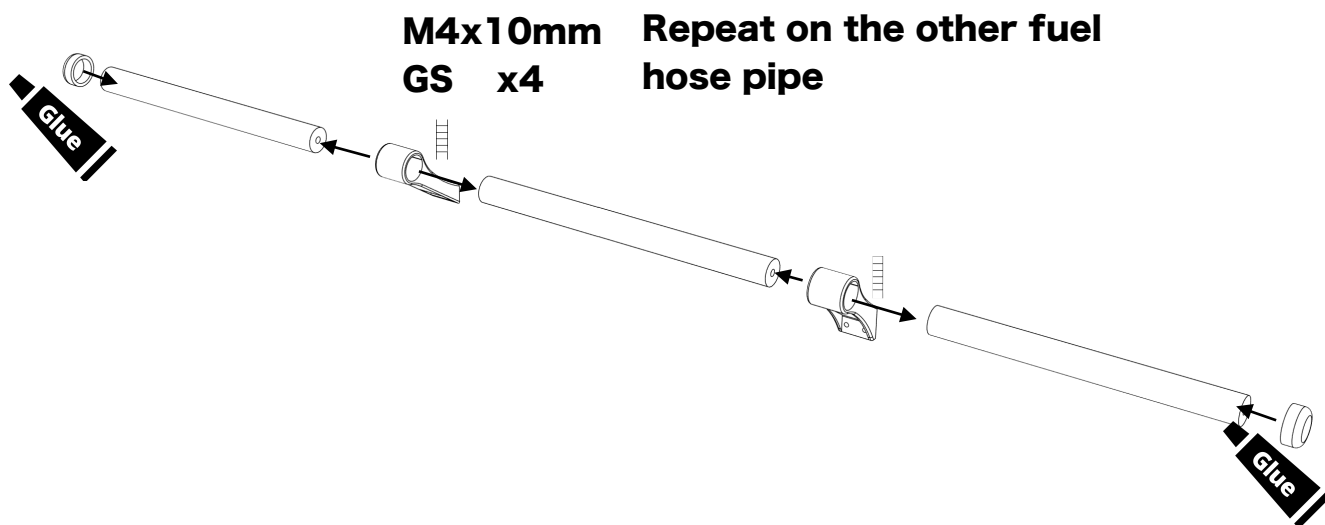
**Repeat on all 6 magnets**



**Repeat on all 3 manhole covers**

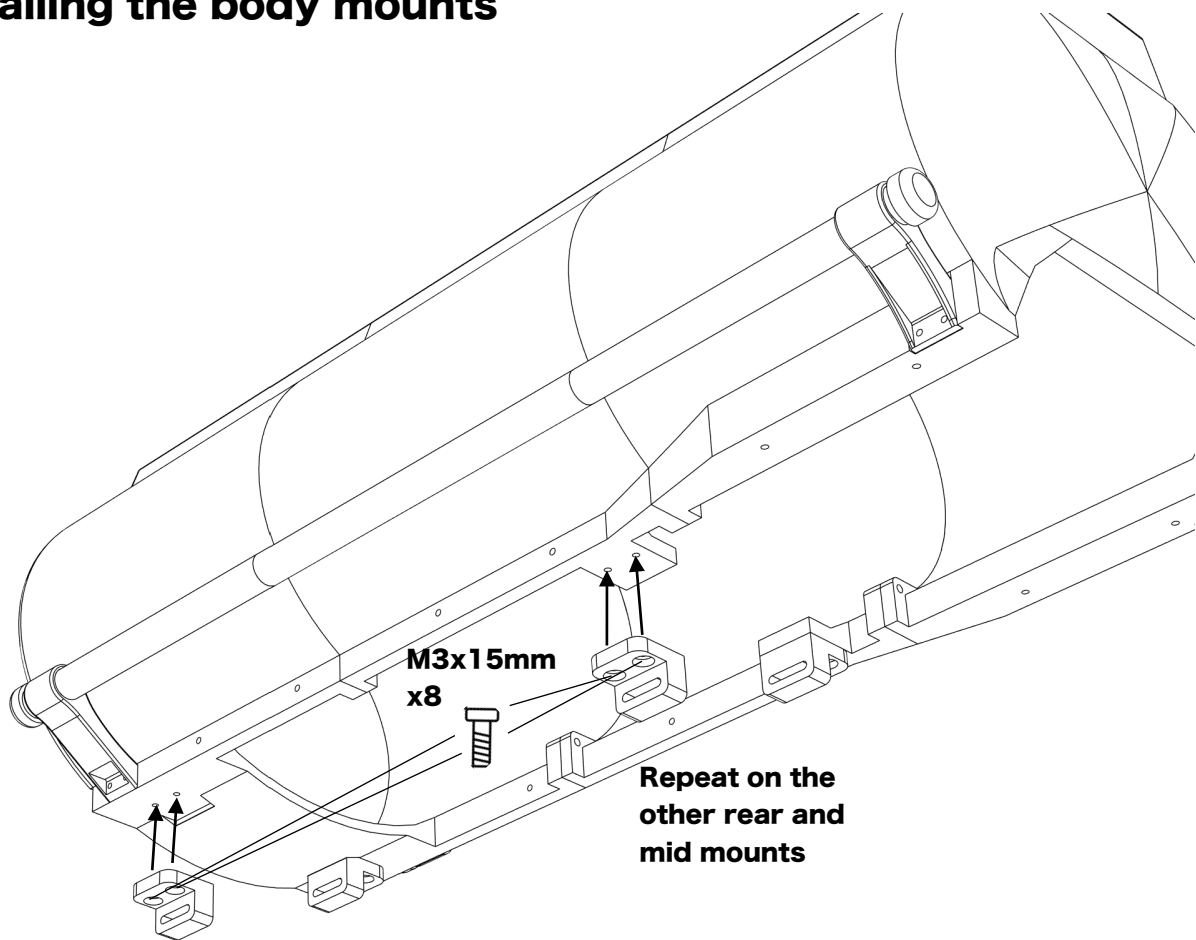


# Assembling the fuel hose pipes

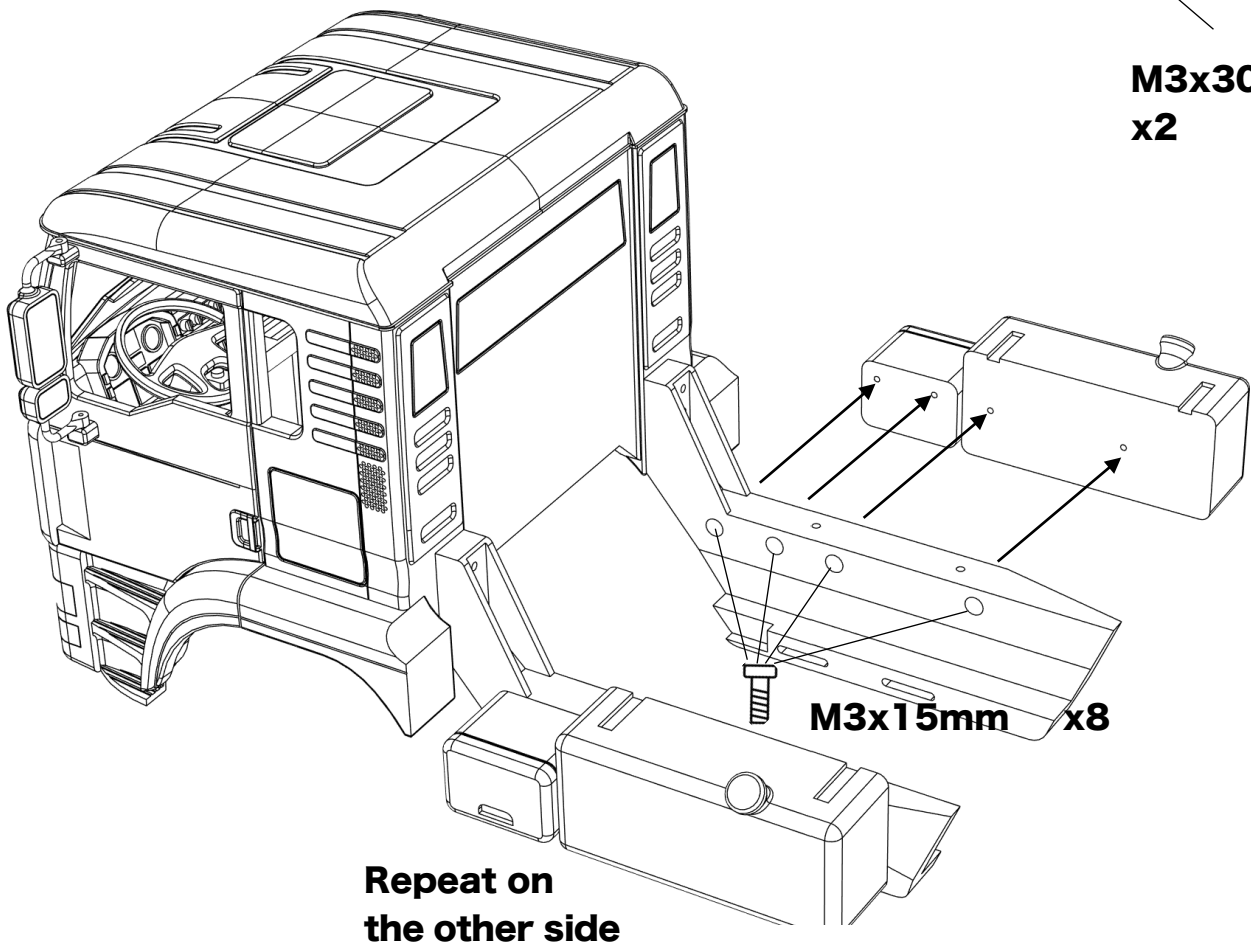
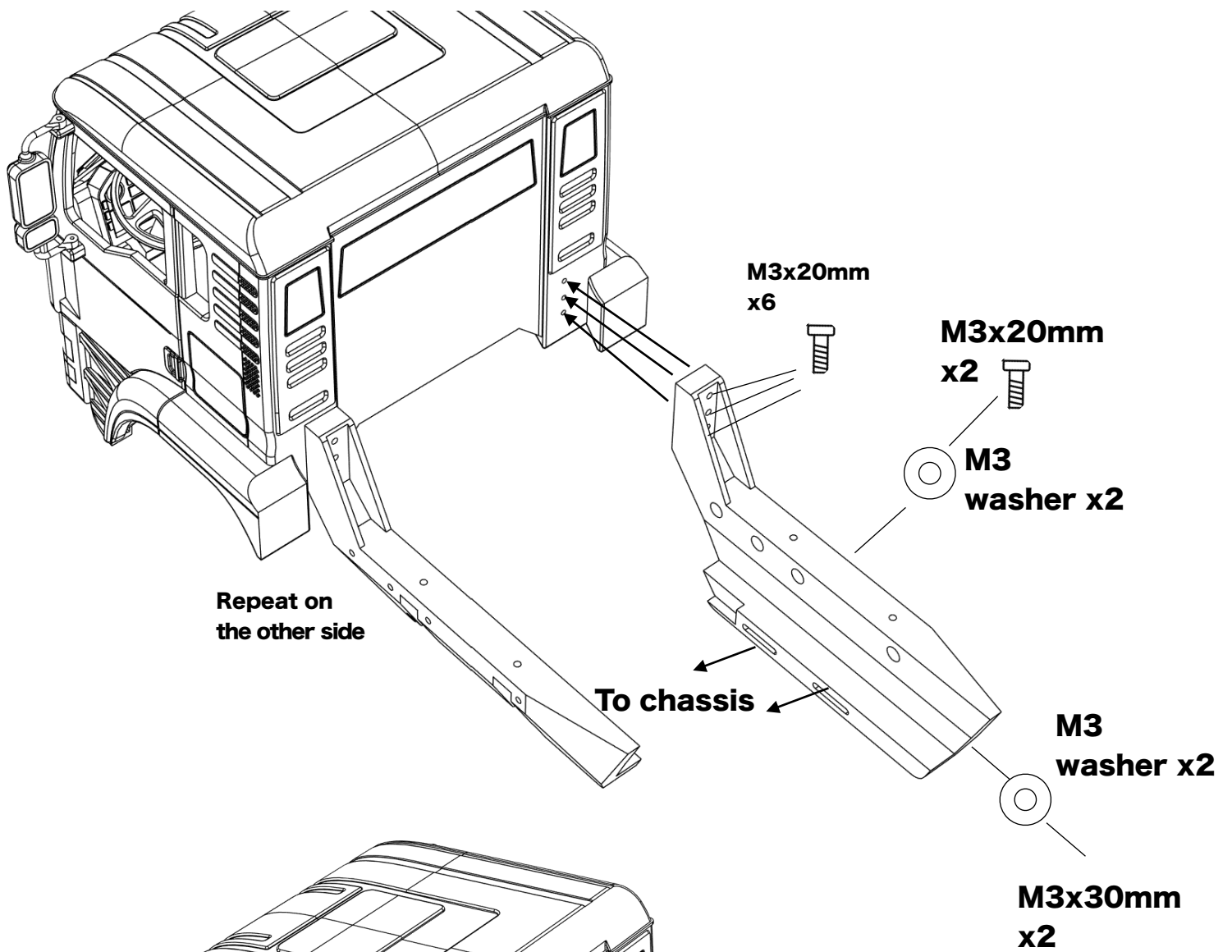


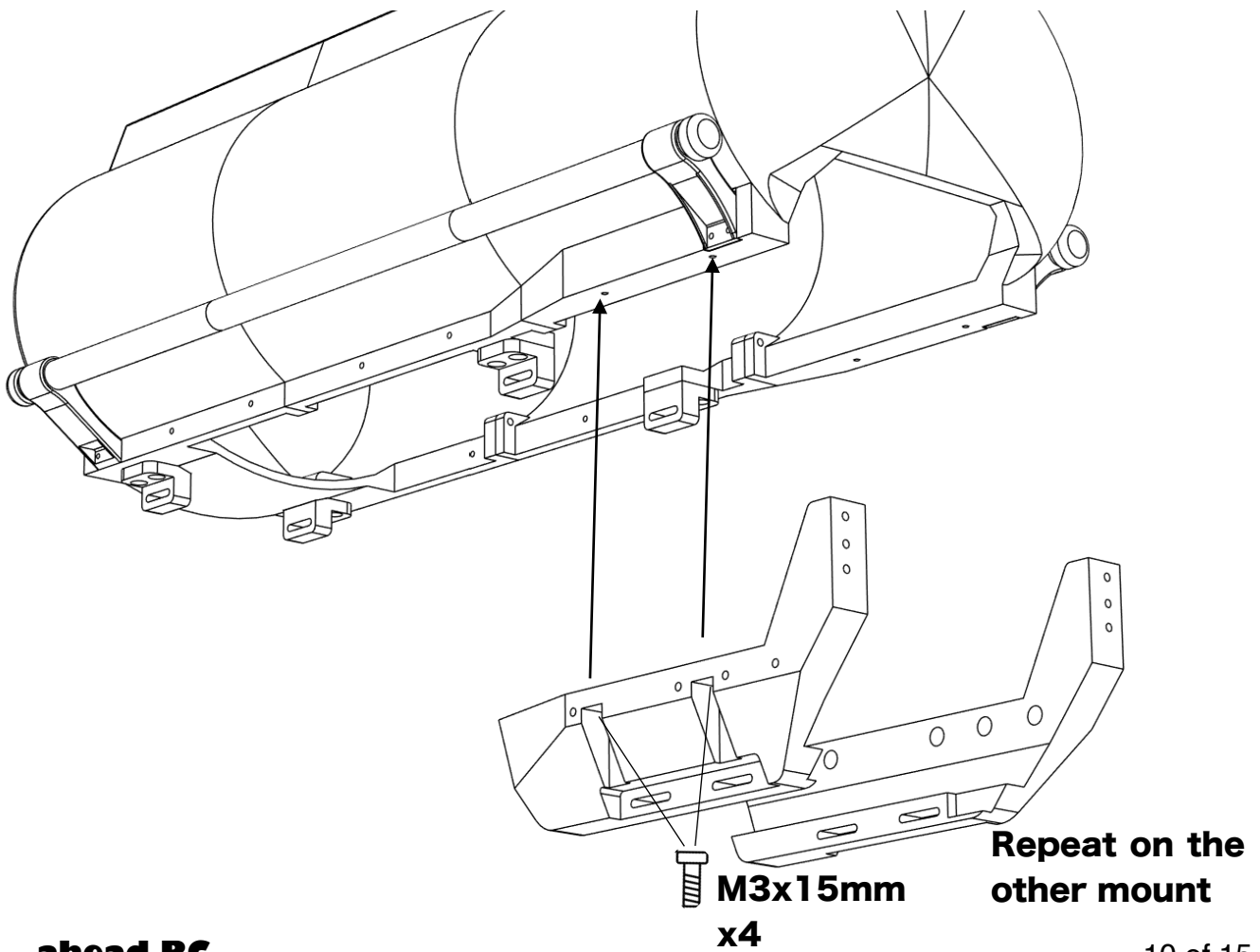
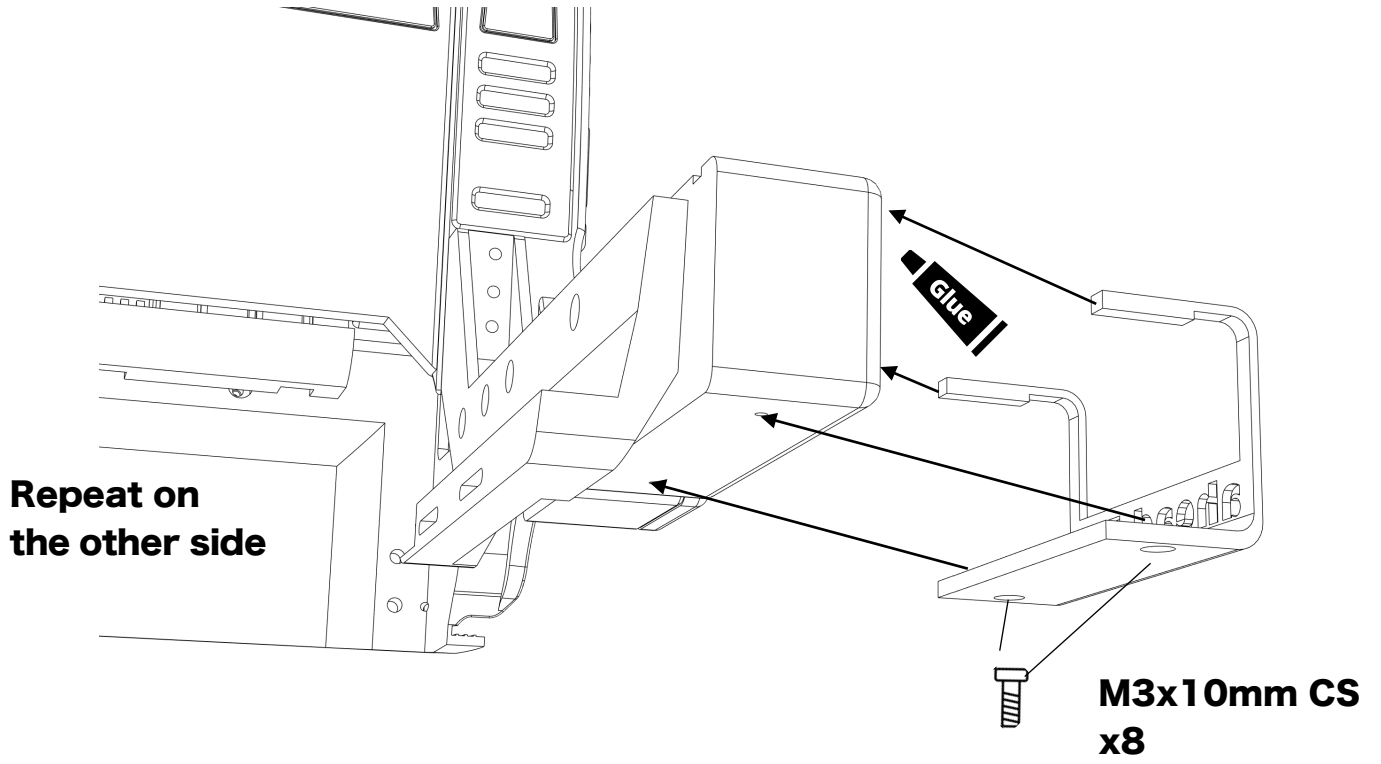
Repeat on the other fuel hose pipe

## Installing the body mounts

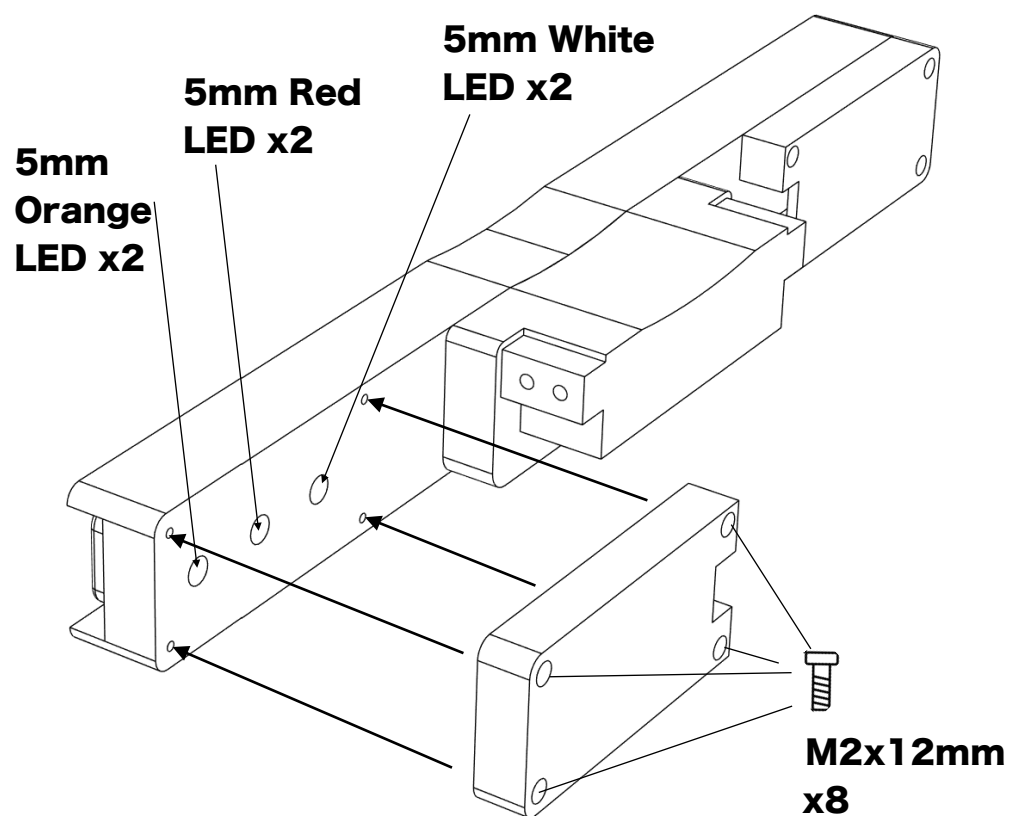
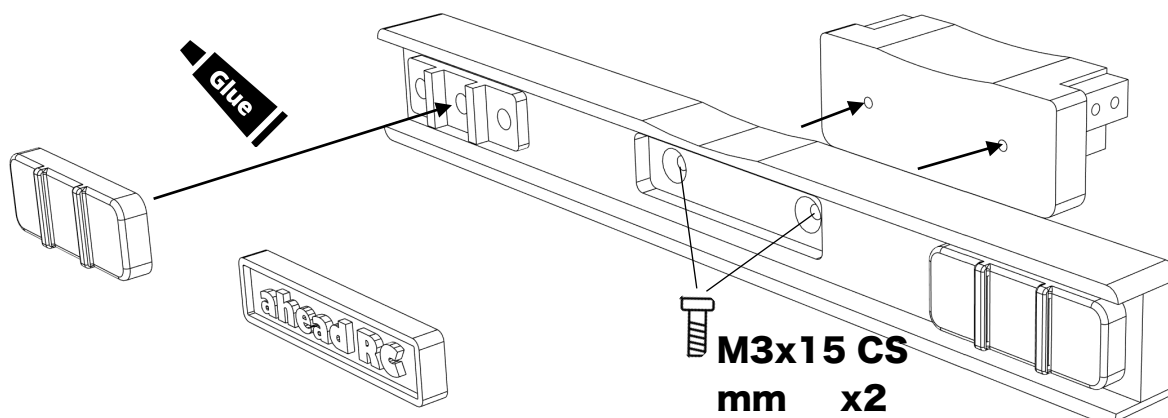


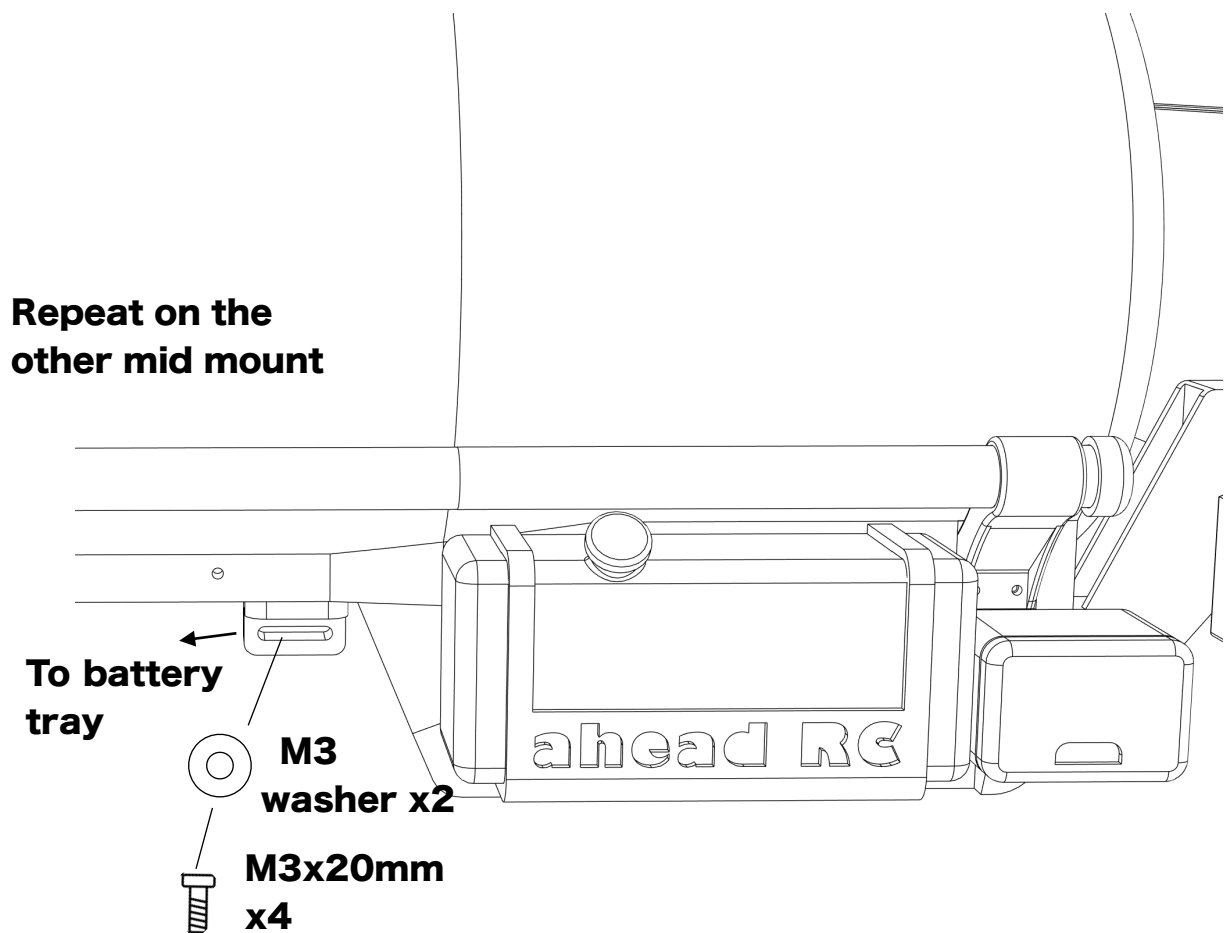
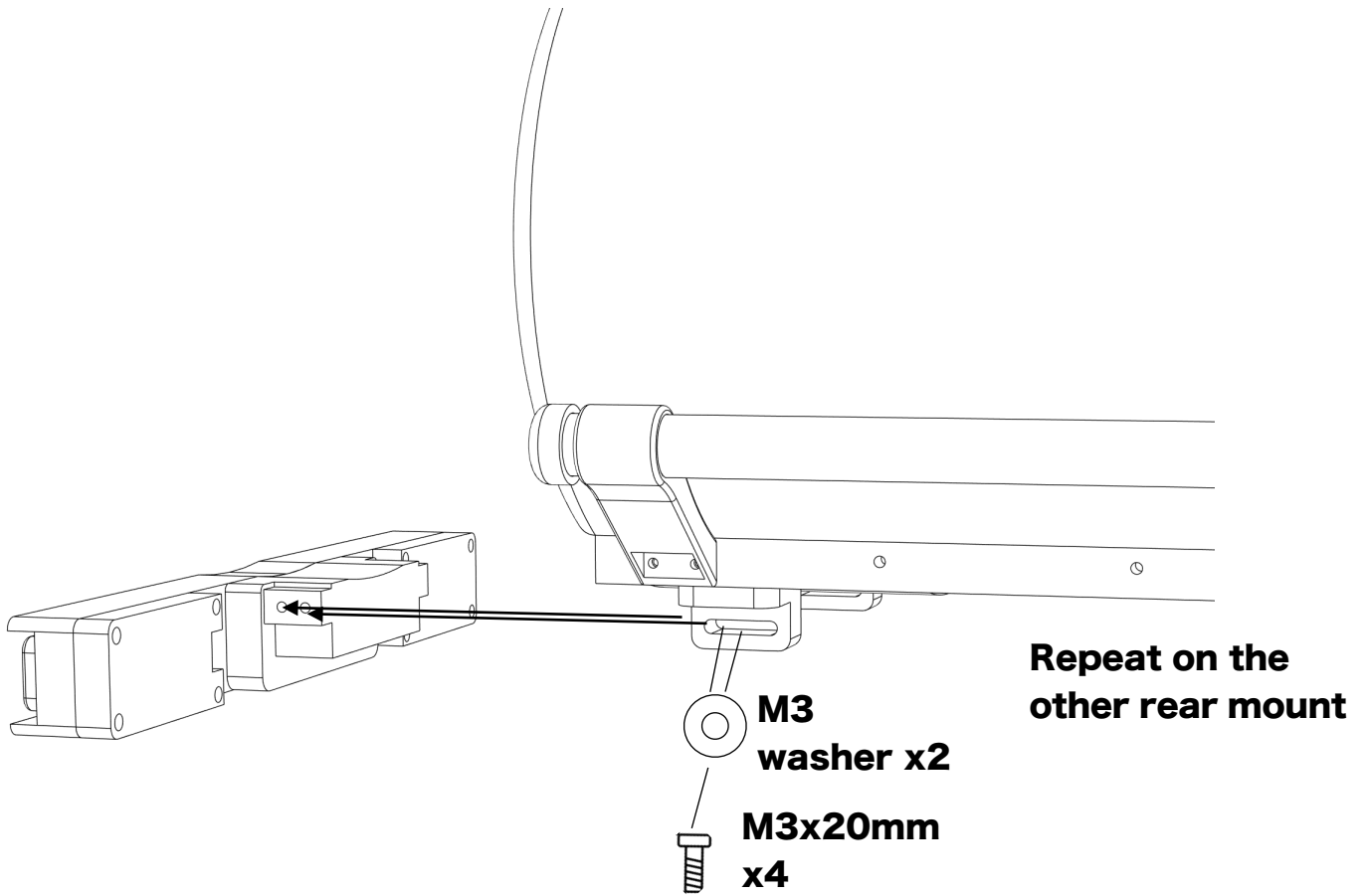




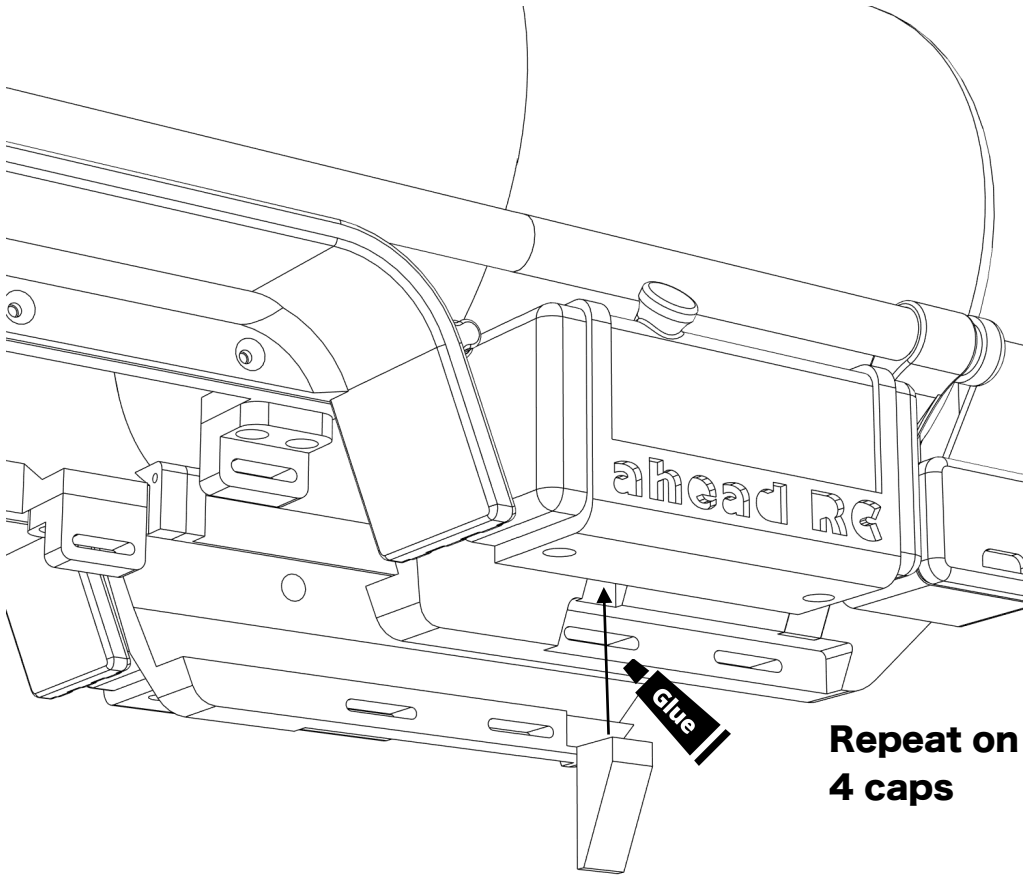
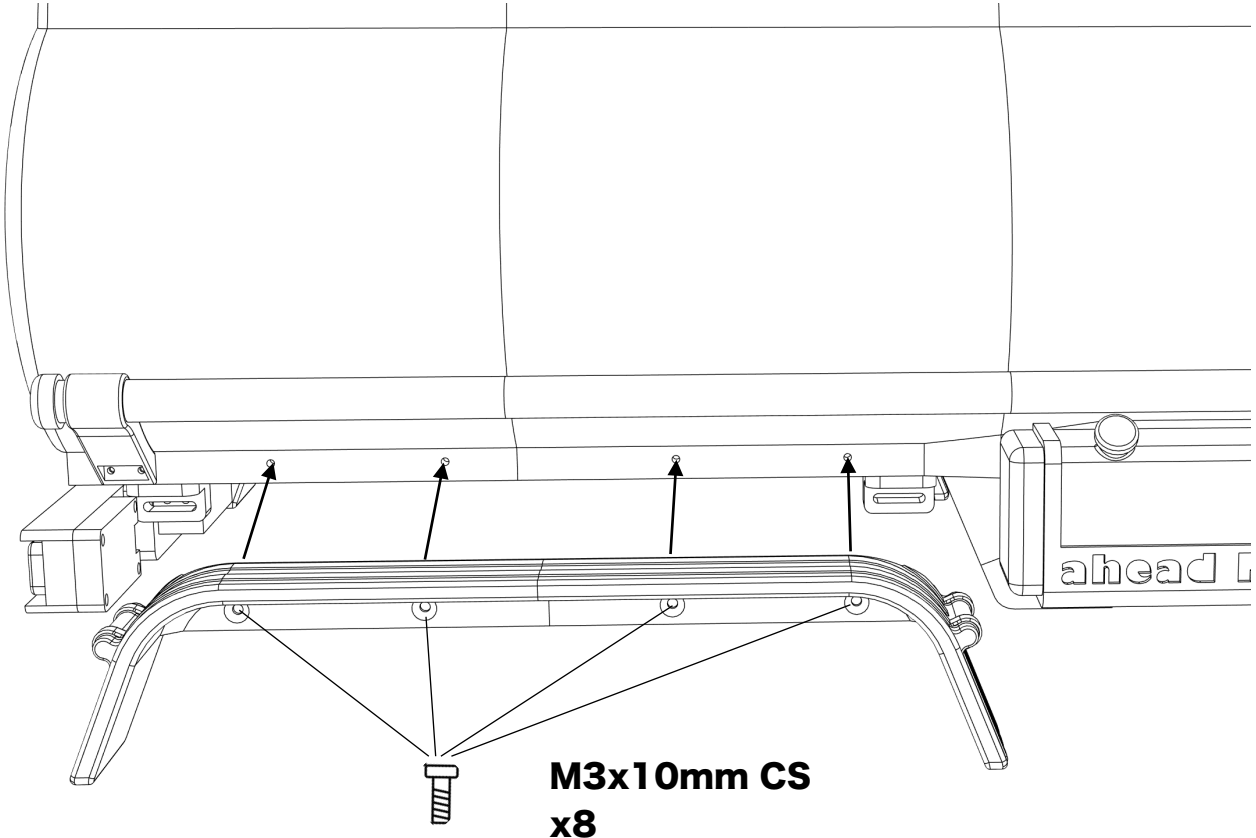


## Assembling the bumper

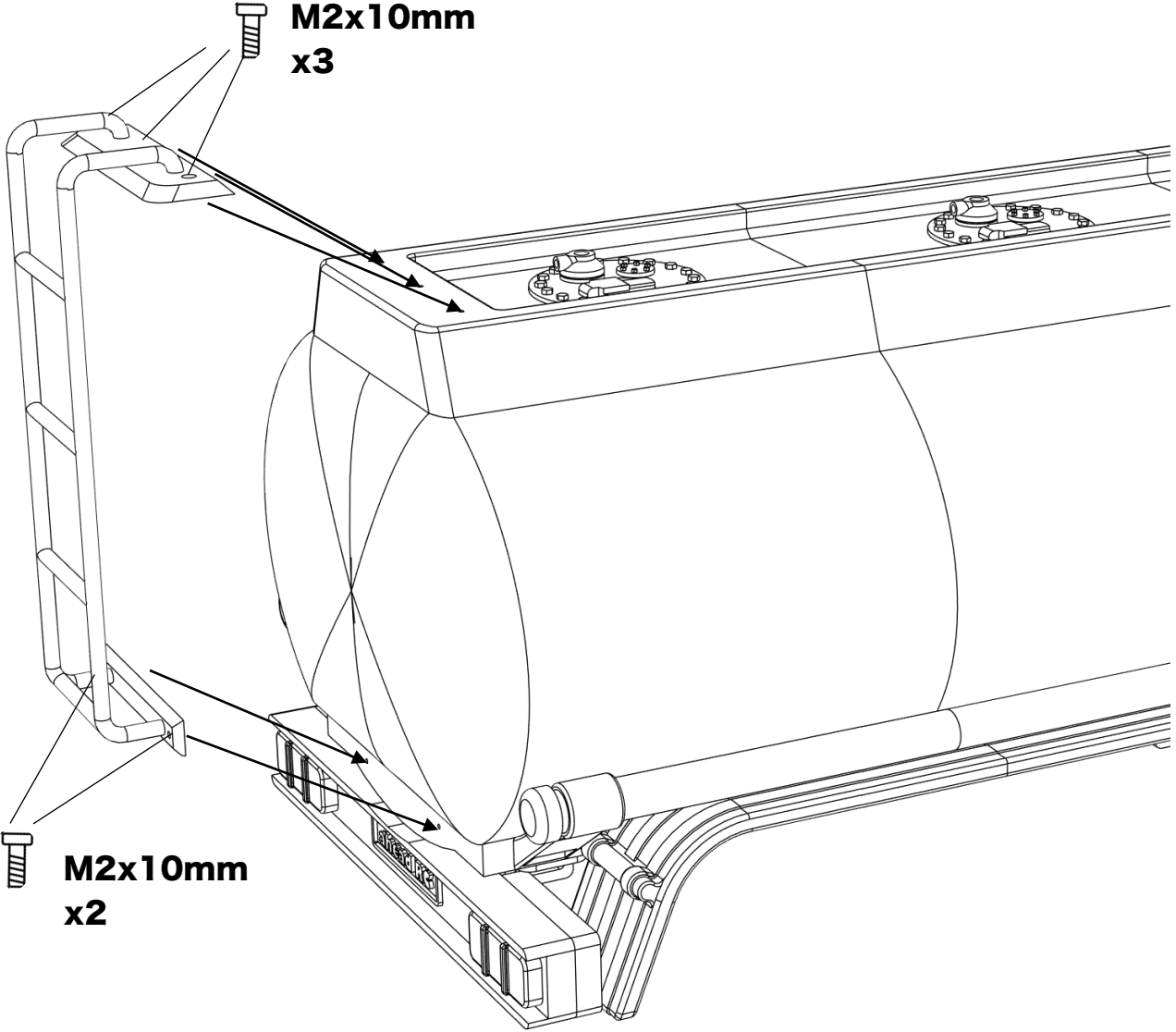


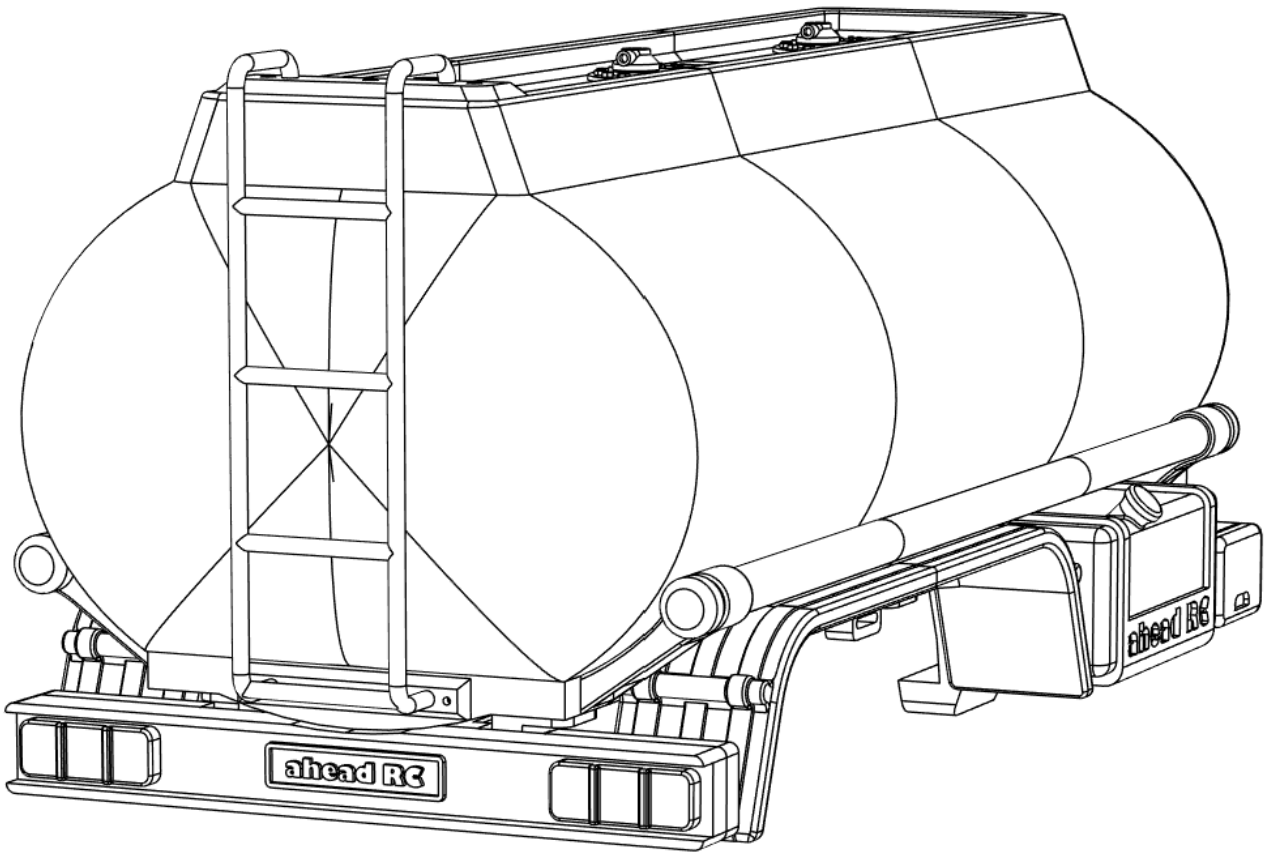


# Installing the fender and mounting screw cap



# mounting the ladder





Body is now fully complete. Thank you for selecting ahead RC products.

If you have any questions or need help with the assembly, please do not hesitate to contact us at:

[aheadrc@gmail.com](mailto:aheadrc@gmail.com)

or visit us at:

[www.aheadrc.com](http://www.aheadrc.com)

## Best of luck with your build!