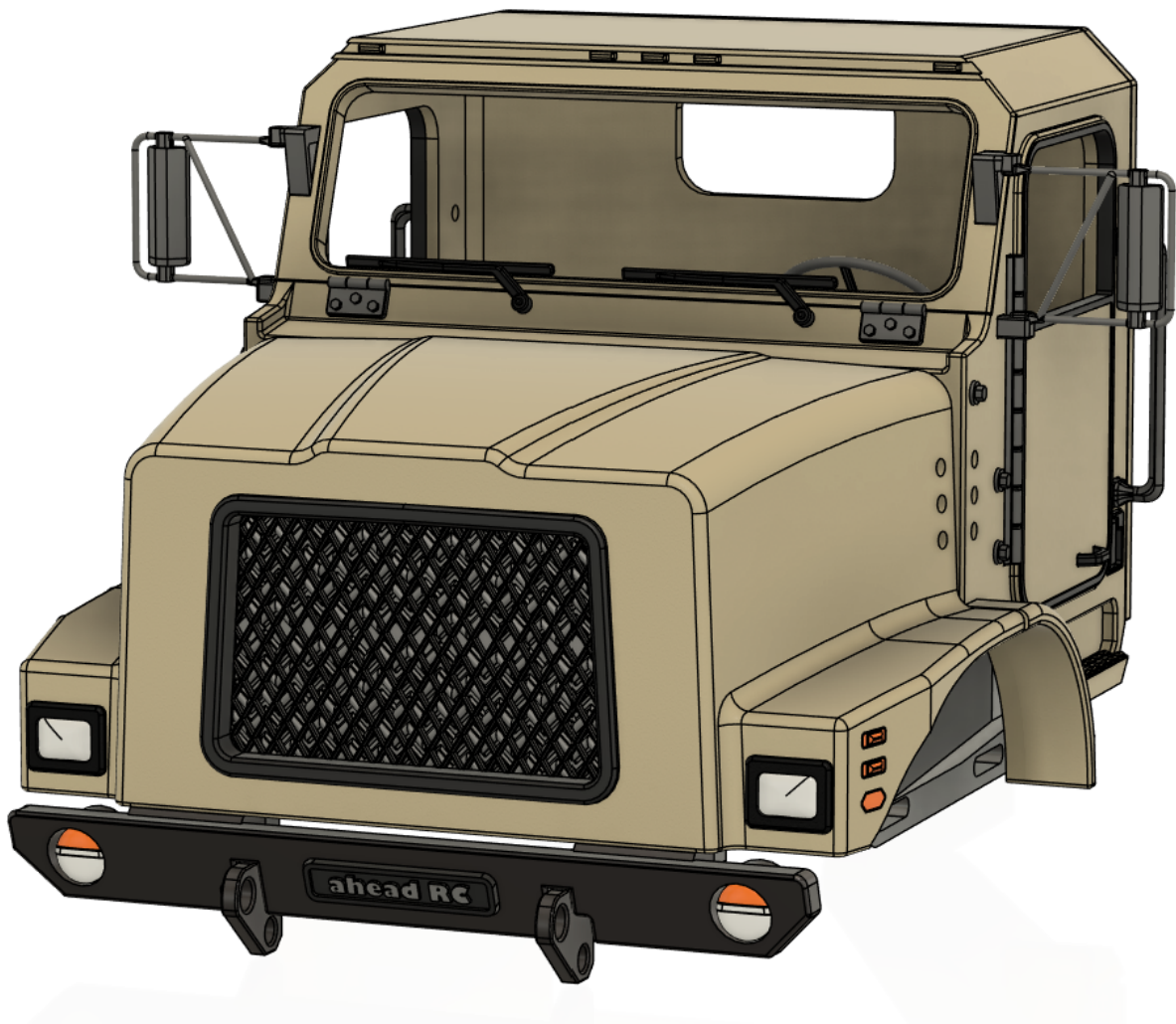


ahead RC Crawler MK23 Front Cab TRX4M Assembly Manual



Required tools and hardware

Tools

- 1.5mm Hex Driver
- 2.0mm Hex Driver
- Needle Nosed Pliers
- Instant Glue

Electronics

- 3mm White LED x4
- 3mm Orange LED x2

Hardware

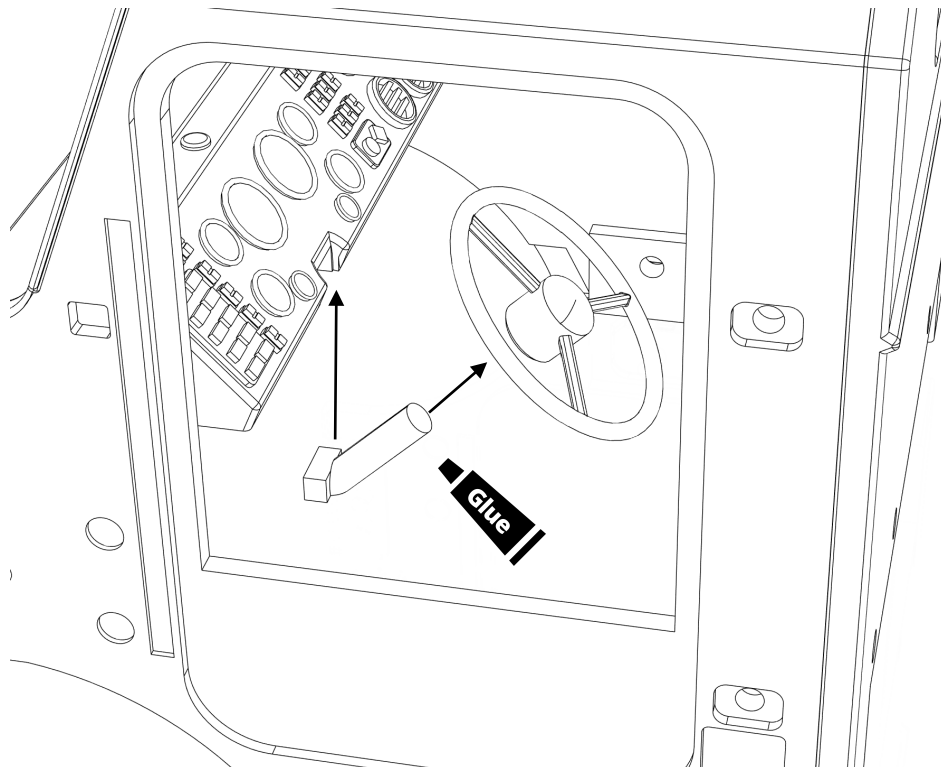
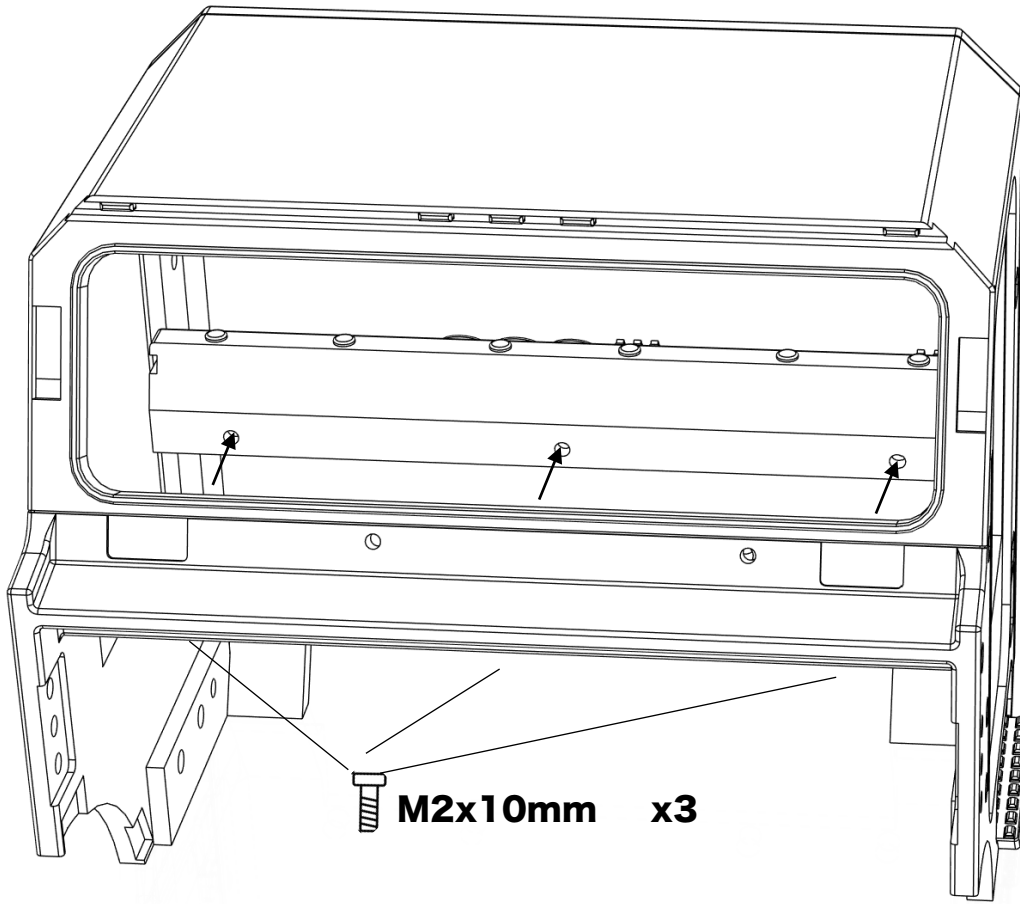
Hardware	Quantity	Check ✓
M2*5 Socket head	10	
M2*10 Socket head	47(23 if using 1 piece wheels)	
M2.5*10 Socket head	4	

Before you begin

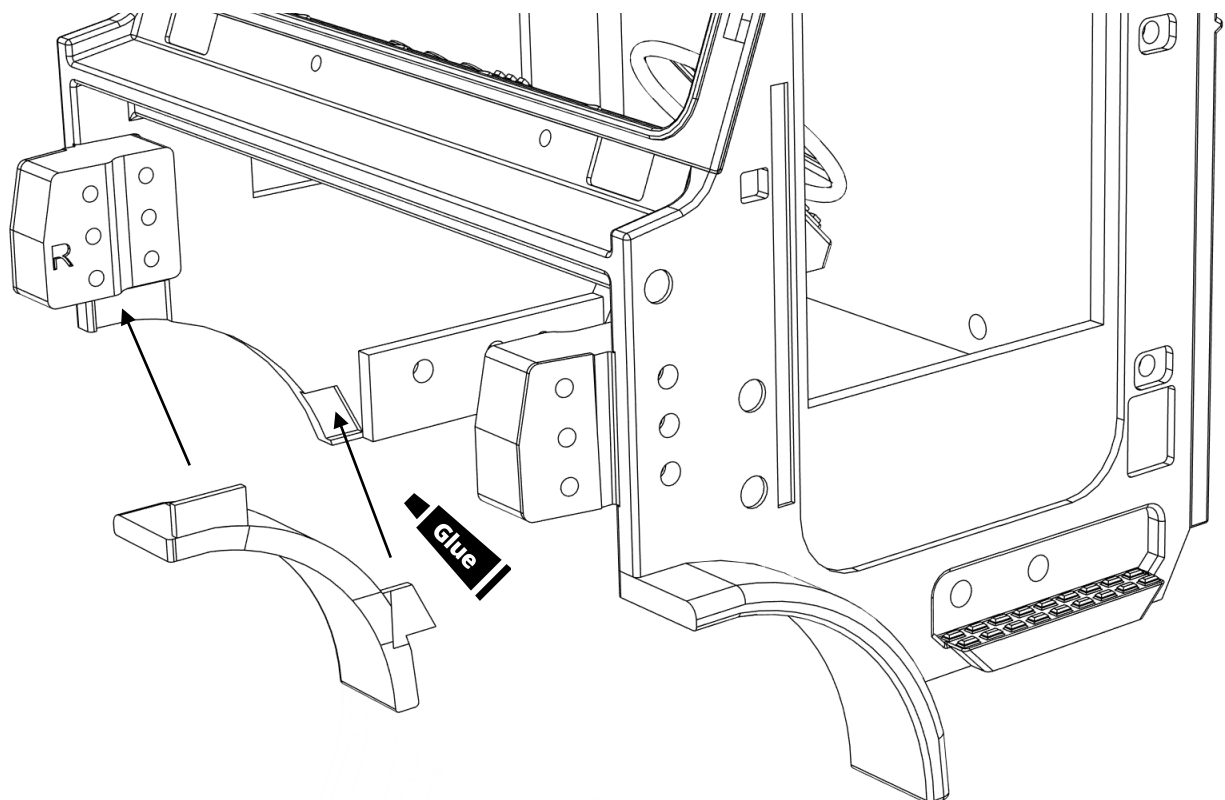
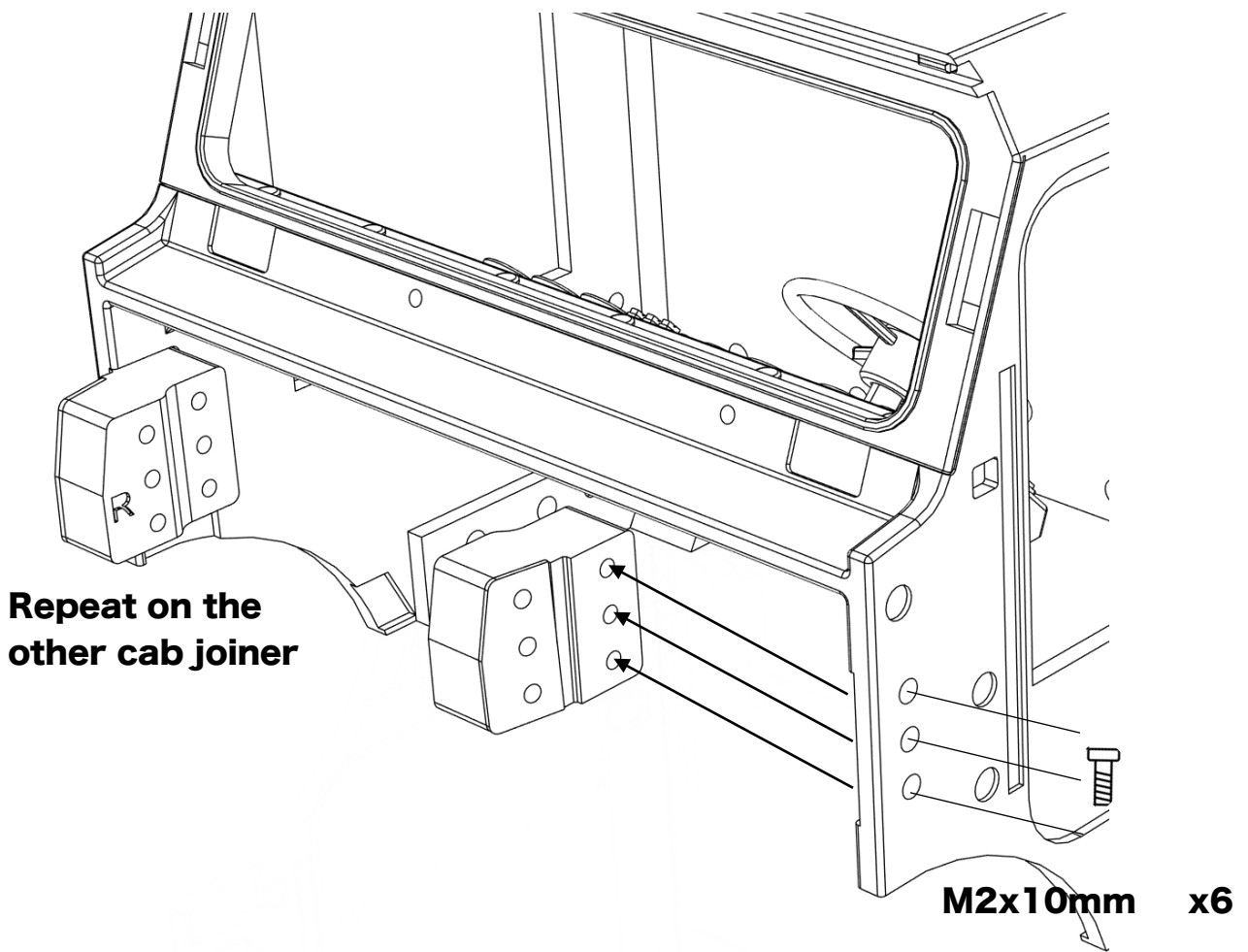
- Be sure to read through the manual and familiarise yourself with the instructions
- Visualise a plan to assemble all the pieces
- Make sure you have all of the hardware and tools
- Be sure to have enough instant glue
- Dry fit all parts before painting and assembling

Tip: It will help to paint all of the parts before final assembly

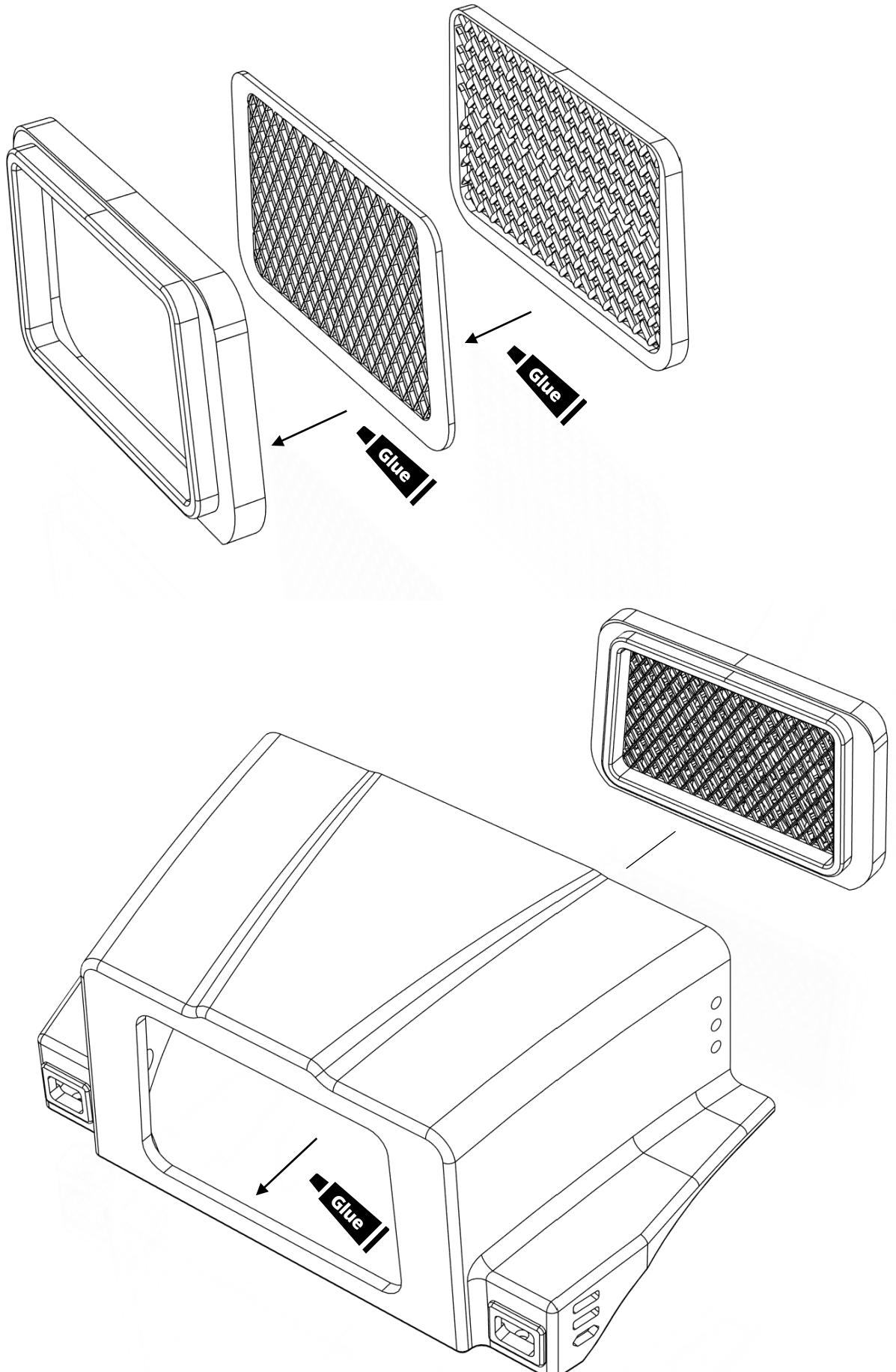
Assembling the front cab interior



Installing the fenders and cab joiners

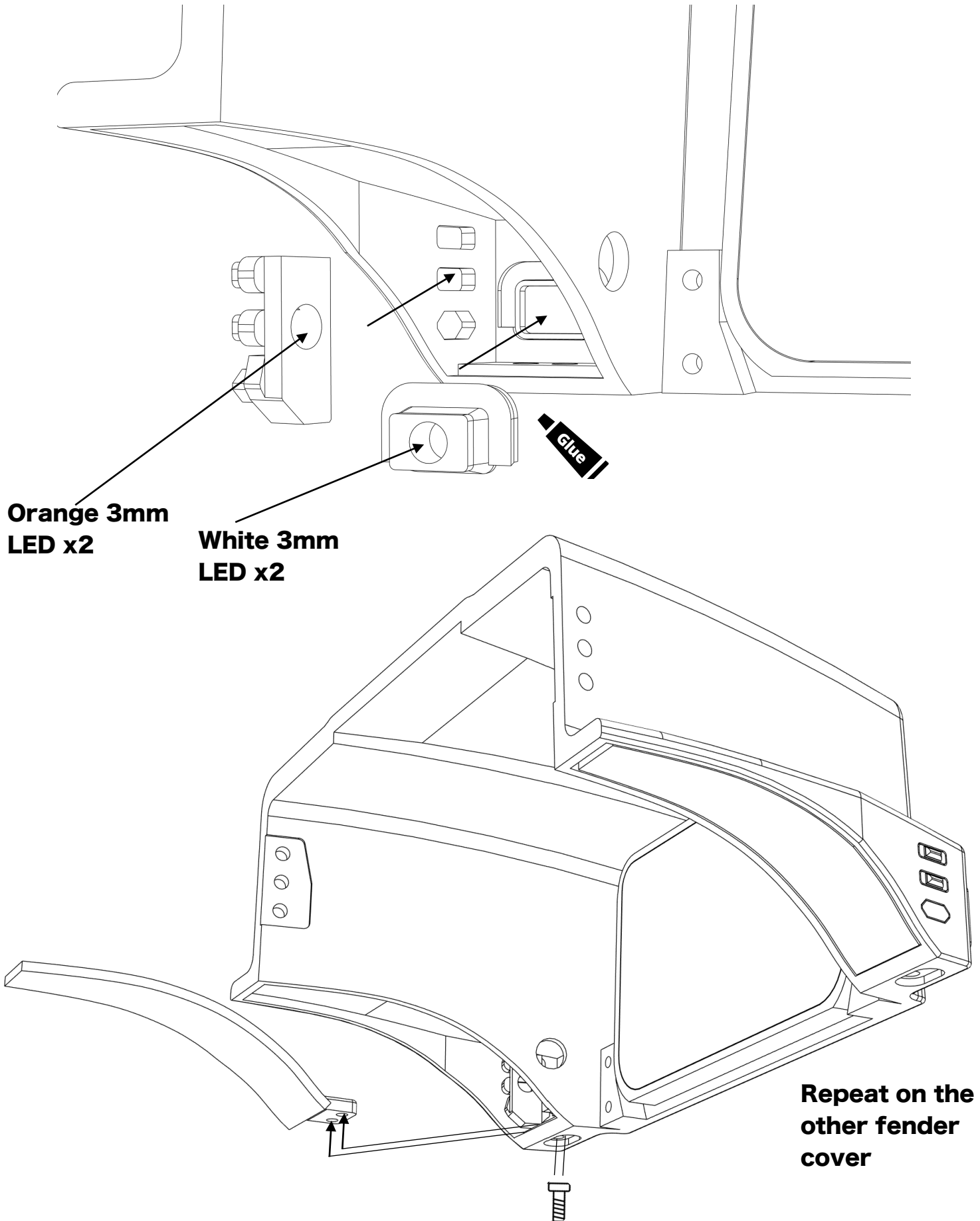


Assembling the grille

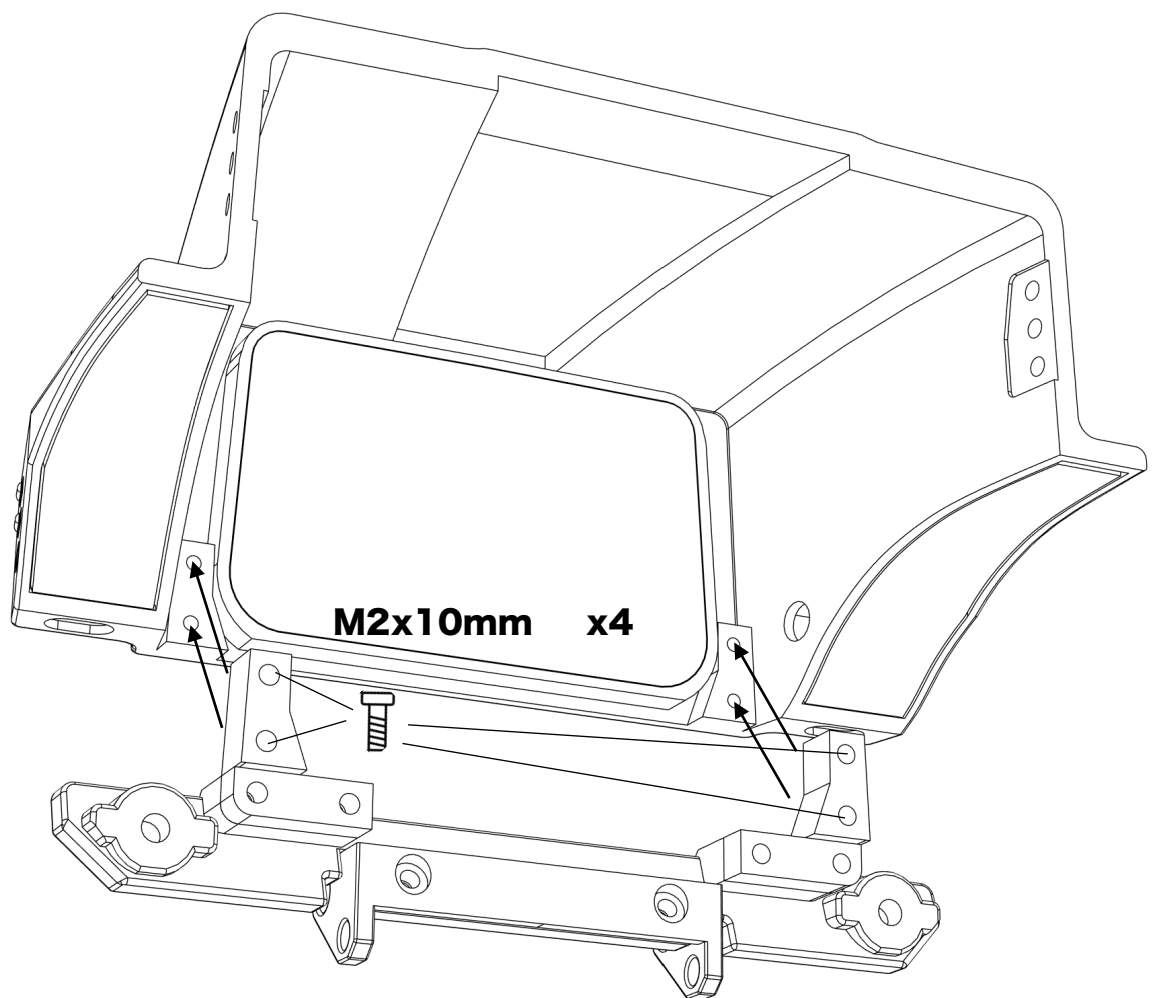
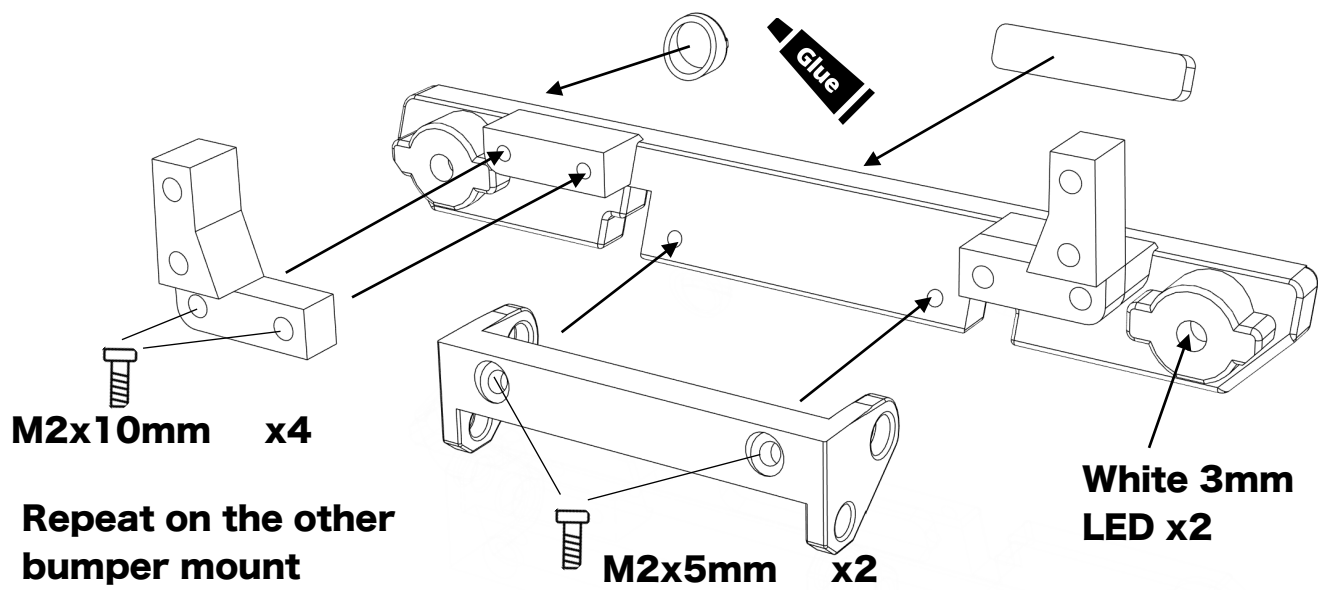


Installing the lights

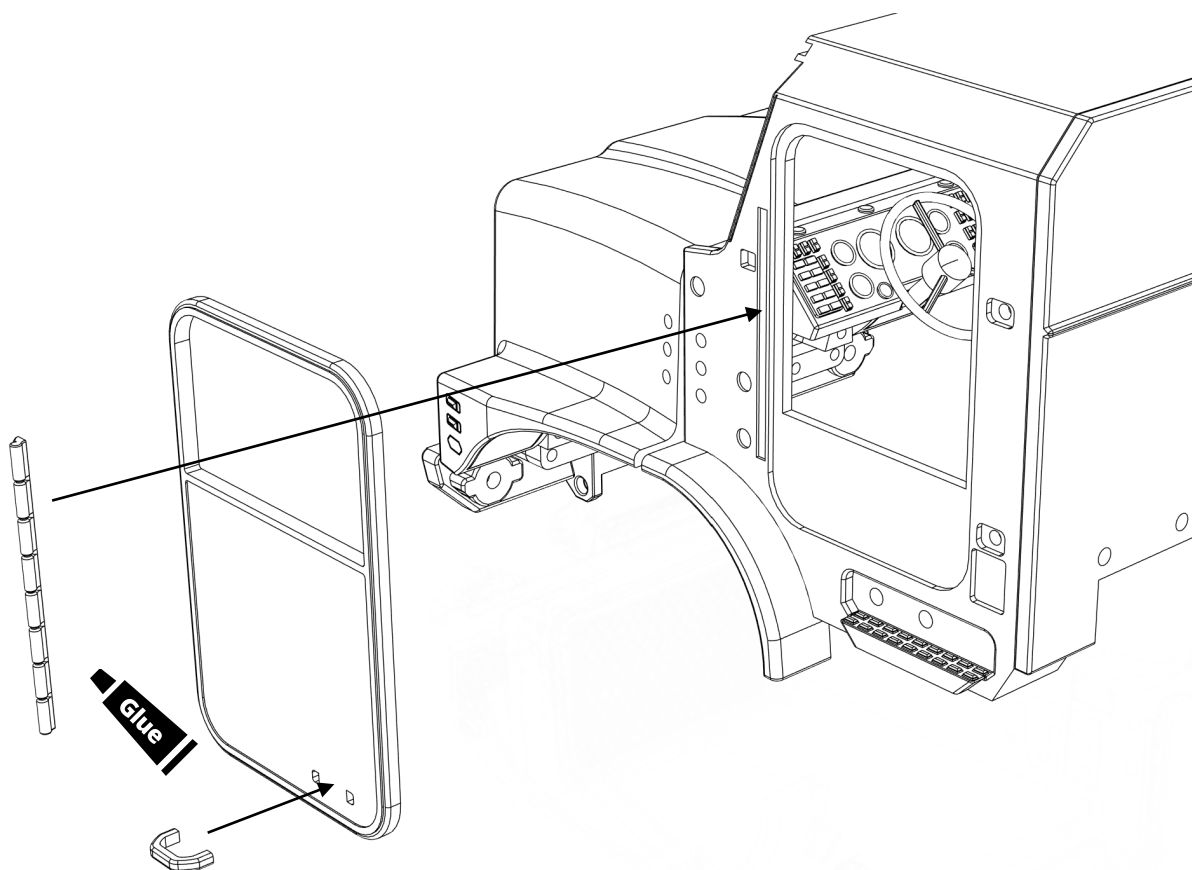
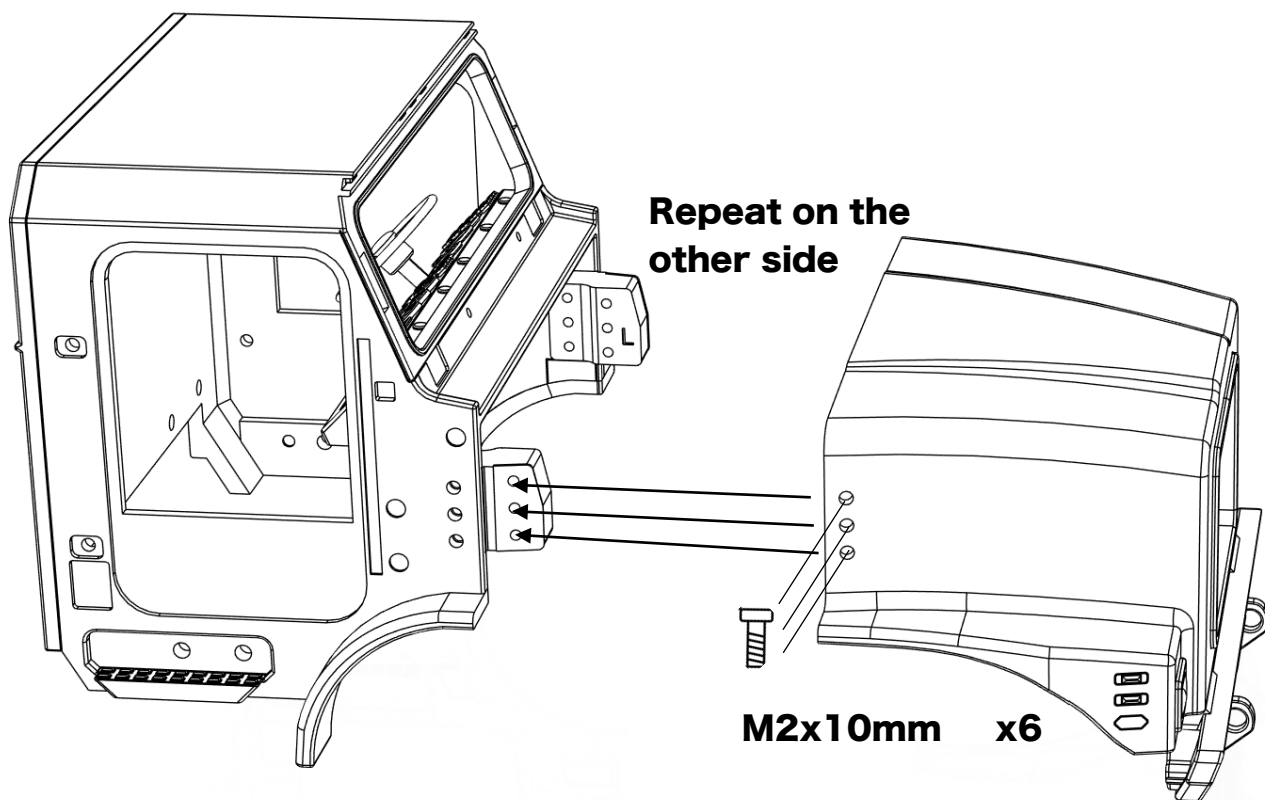
M2x5mm x4



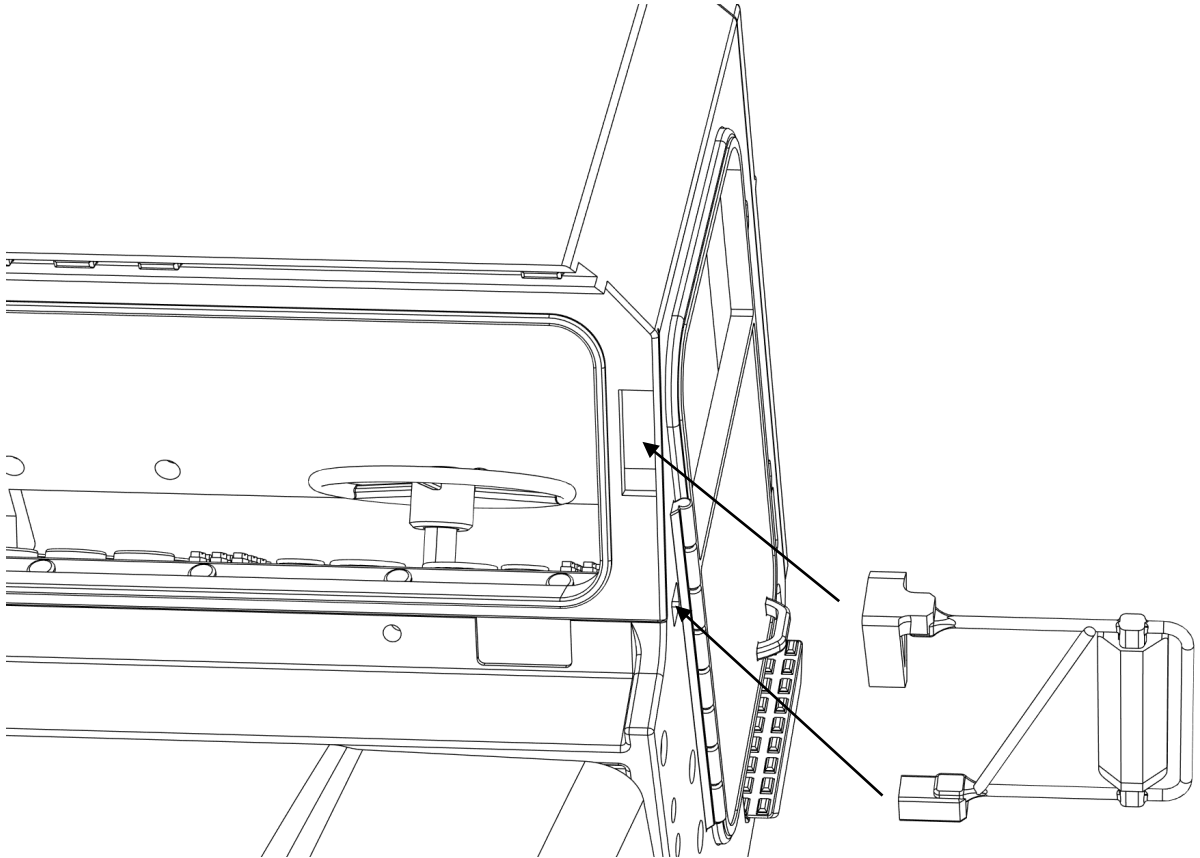
Assembling and installing the bumper



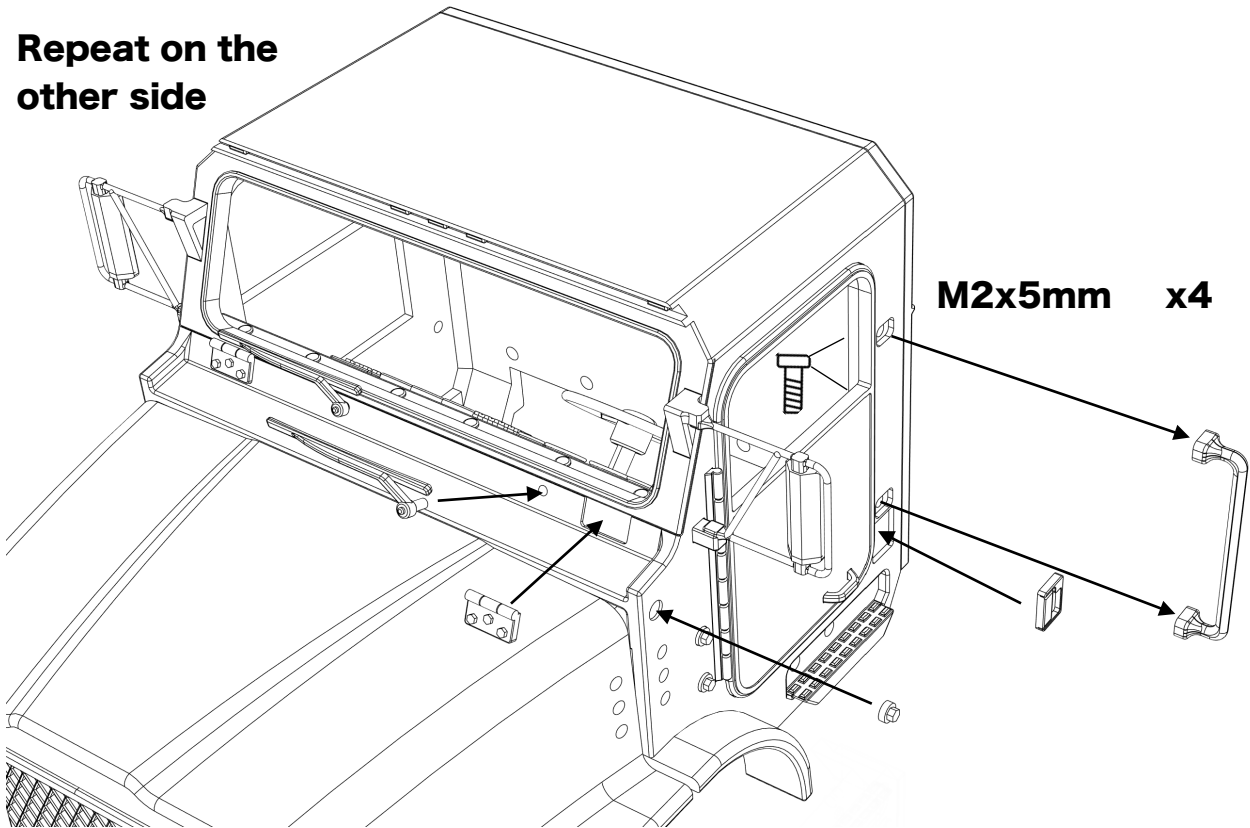
Assembling and installing the bumper and doors



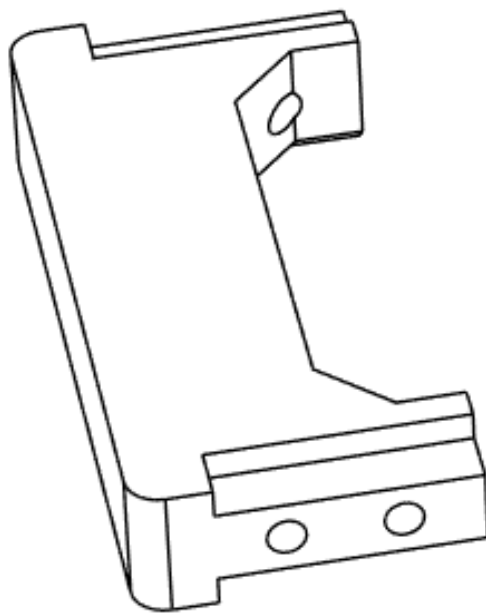
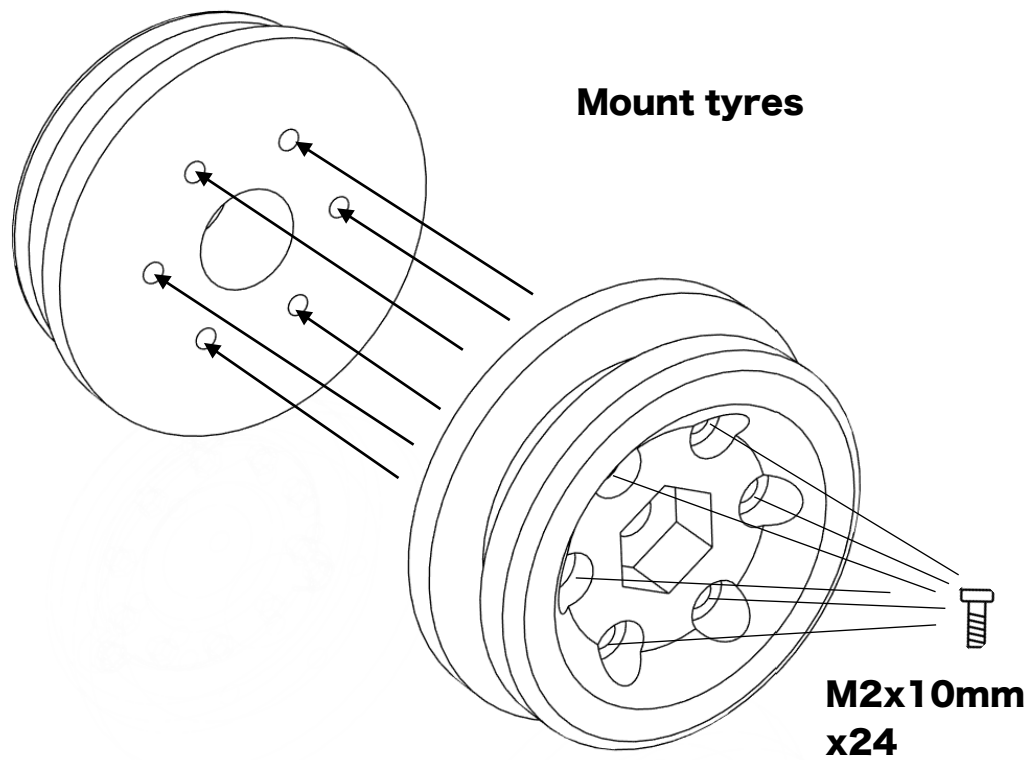
Installing the mirrors and details

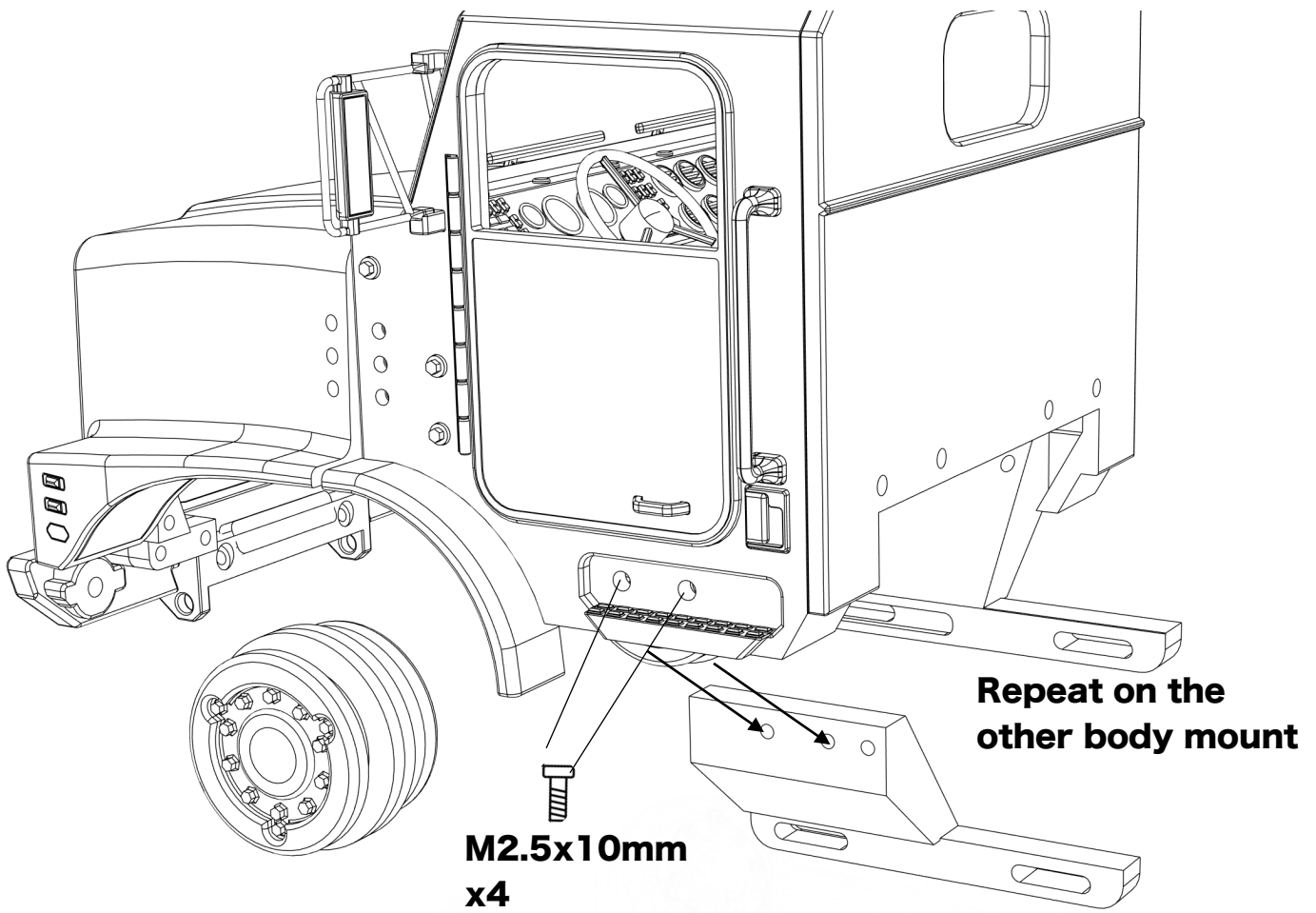


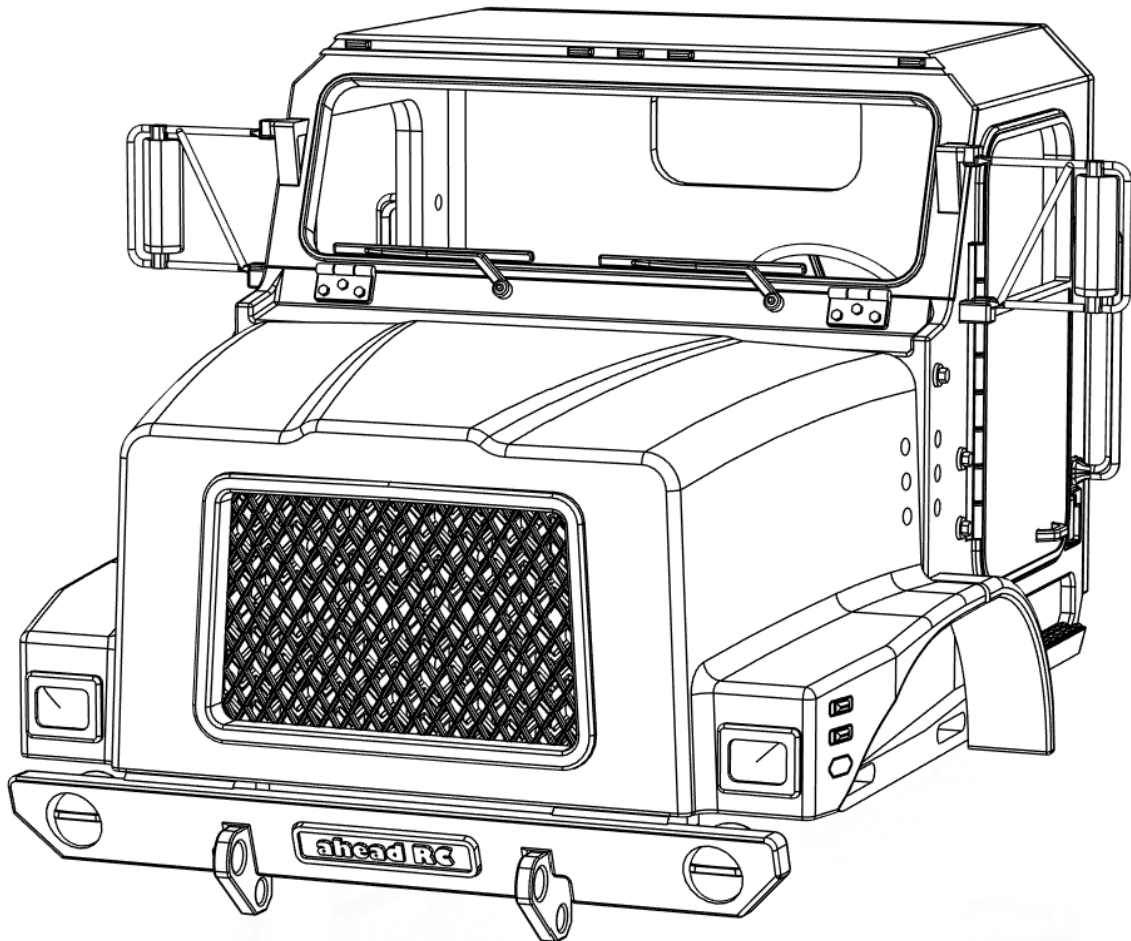
**Repeat on the
other side**



Assembling and mounting the wheels and tyres // front chassis brace







Body is now fully complete. Thank you for selecting ahead RC products.

If you have any questions or need help with the assembly, please do not hesitate to contact us at:

aheadrc@gmail.com

or visit us at:

www.aheadrc.com

Best of luck with your build!