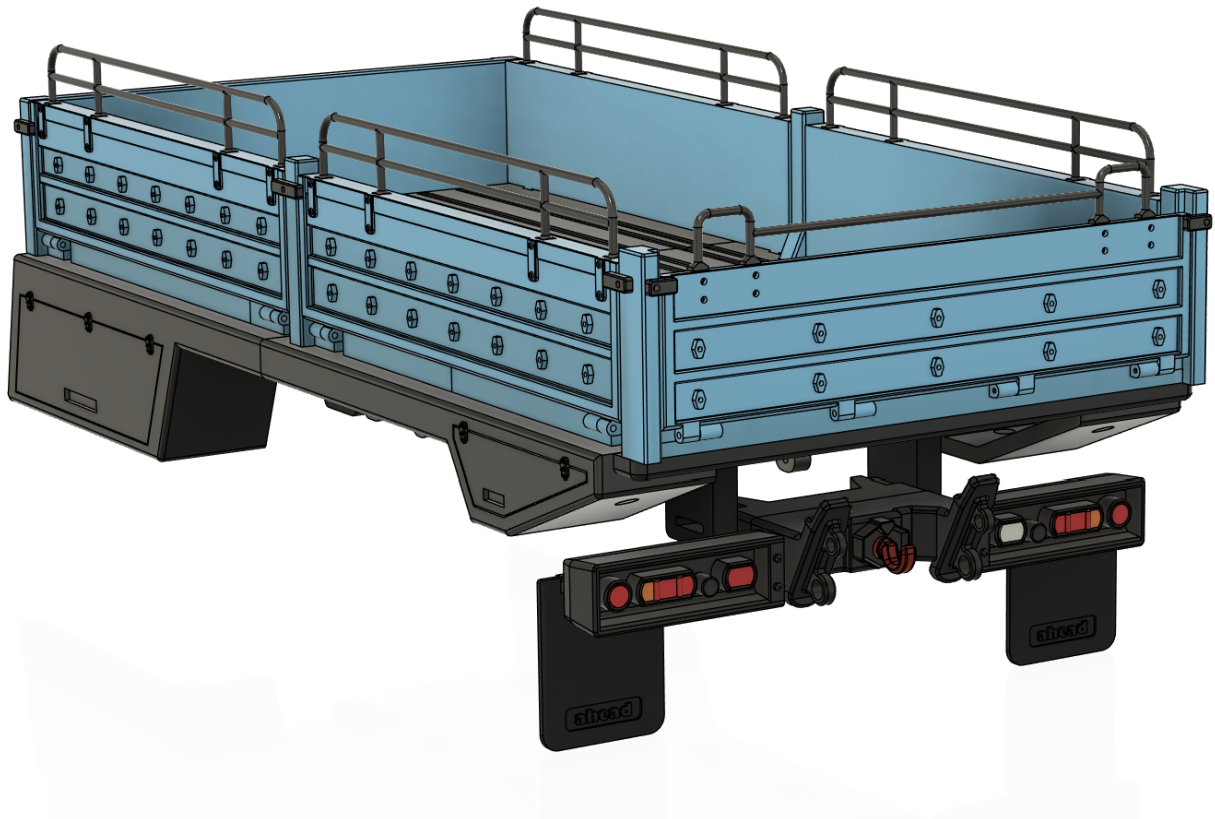


ahead RC Crawler Cat 1 TRX6 Flatbed Assembly Manual



Required tools and hardware

Tools

- 1.5mm Hex Driver
- 2.0mm Hex Driver
- 2.5mm Hex Driver
- Needle Nosed Pliers
- Instant Glue
- Hot Glue

Electronics

- 3mm LED Orange x2
- 3mm LED Red x7
- 3mm LED White x1

Hardware

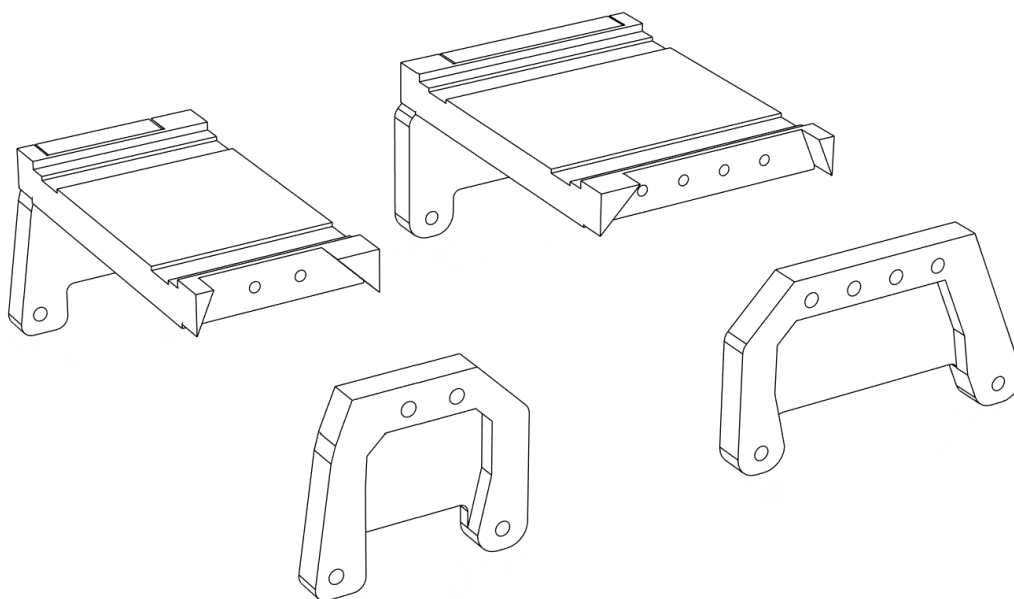
Hardware	Quantity	Check ✓
M2*5 Socket head	8	
M2*10 Socket head	20	
M2*15 Socket head	12	
M3*10 Socket head	47	
M3*15 Socket head	18	
M3*20 Socket head	2	
M3*25 Socket head	4	
M3*10 Countersunk (CS)	2	
M3*15 Countersunk (CS)	10	
M3 Washer	10	
M3 Nut	4	
12x4mm magnet (with countersunk hole)	2	

Before you begin

- Be sure to read through the manual and familiarise yourself with the instructions
- Visualise a plan to assemble all the pieces
- Make sure you have all of the hardware and tools
- Be sure to have enough instant glue
- Dry fit all parts before painting and assembling

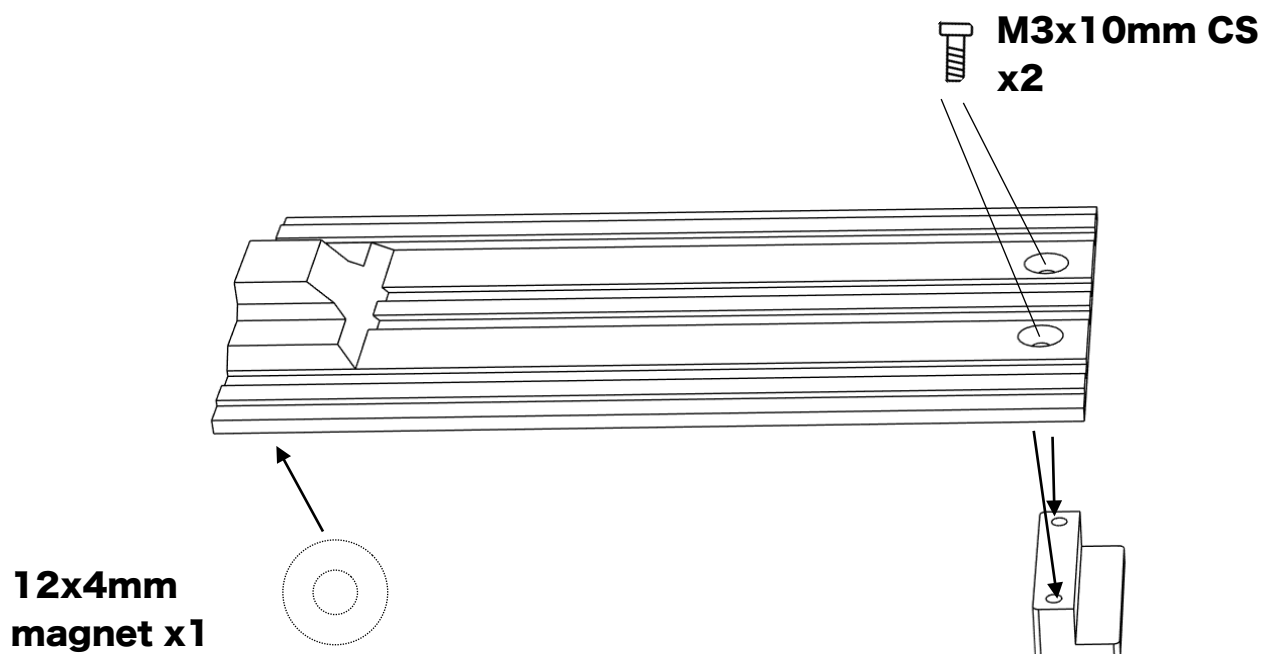
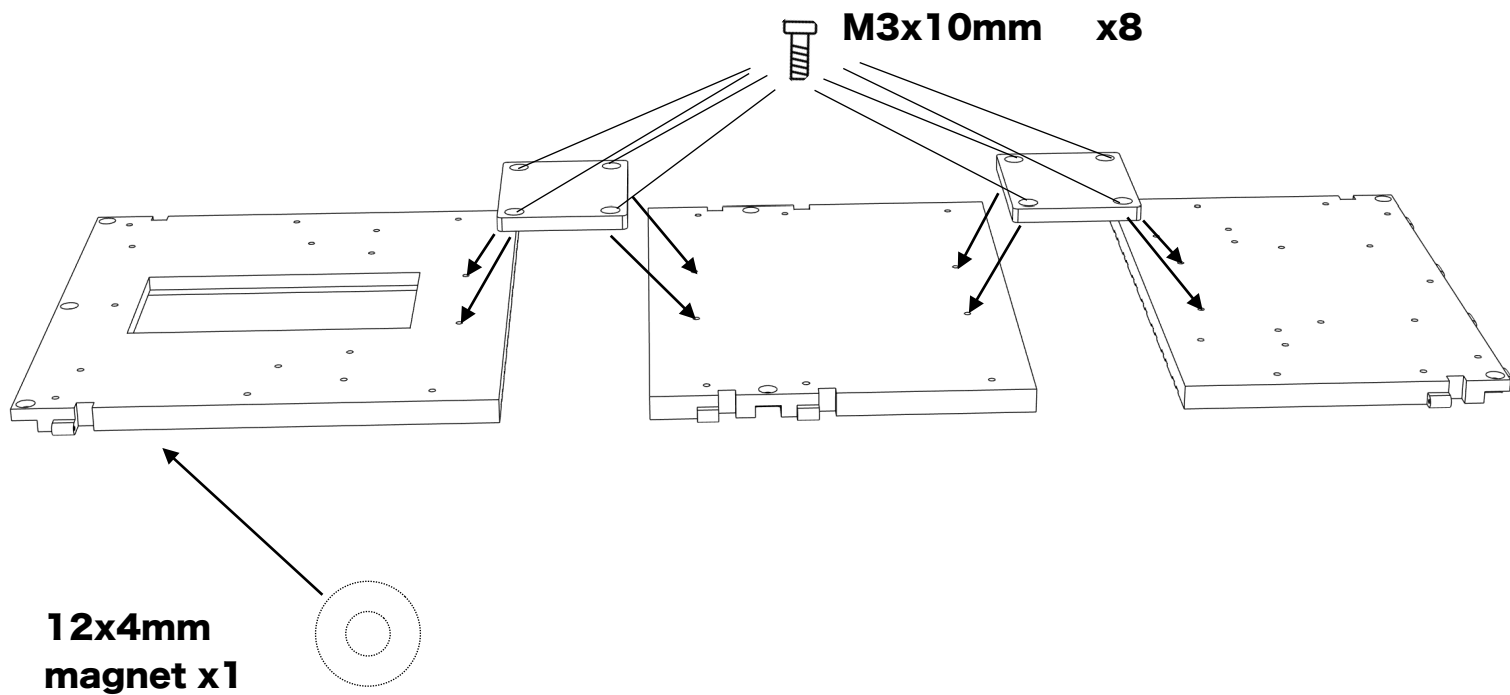
Tip: It will help to paint all of the parts before final assembly

Installing the rear shock mounts

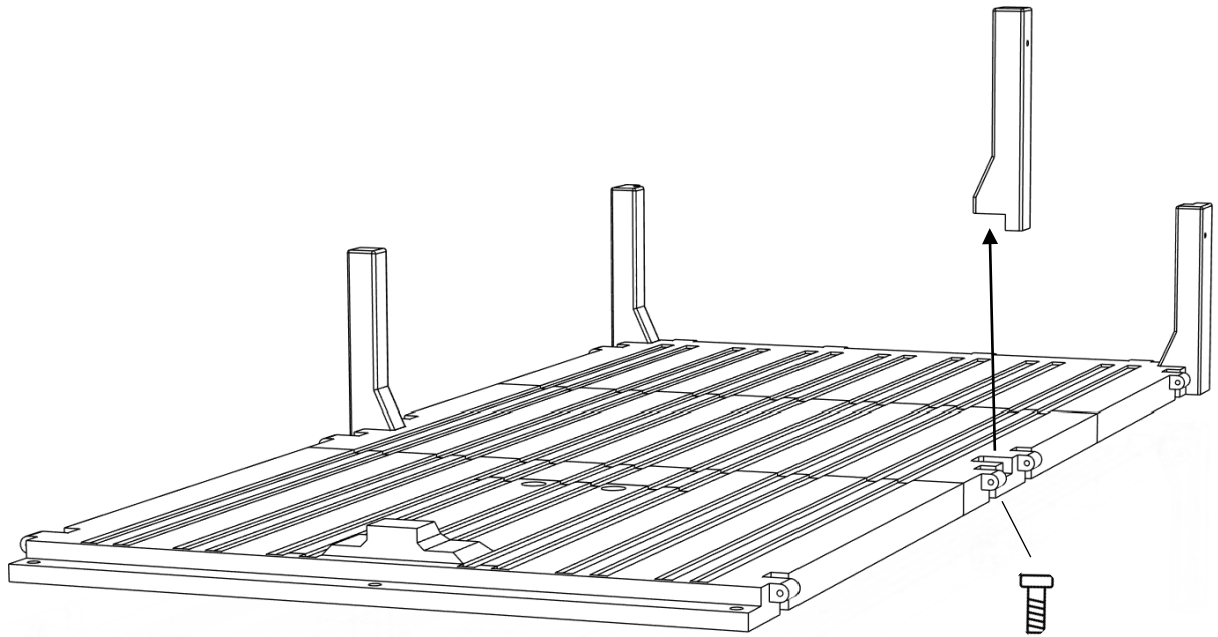


**Remove rear inner fenders
before installing shock mounts**

Assembling the bed and battery access hatch



Installing the pillars

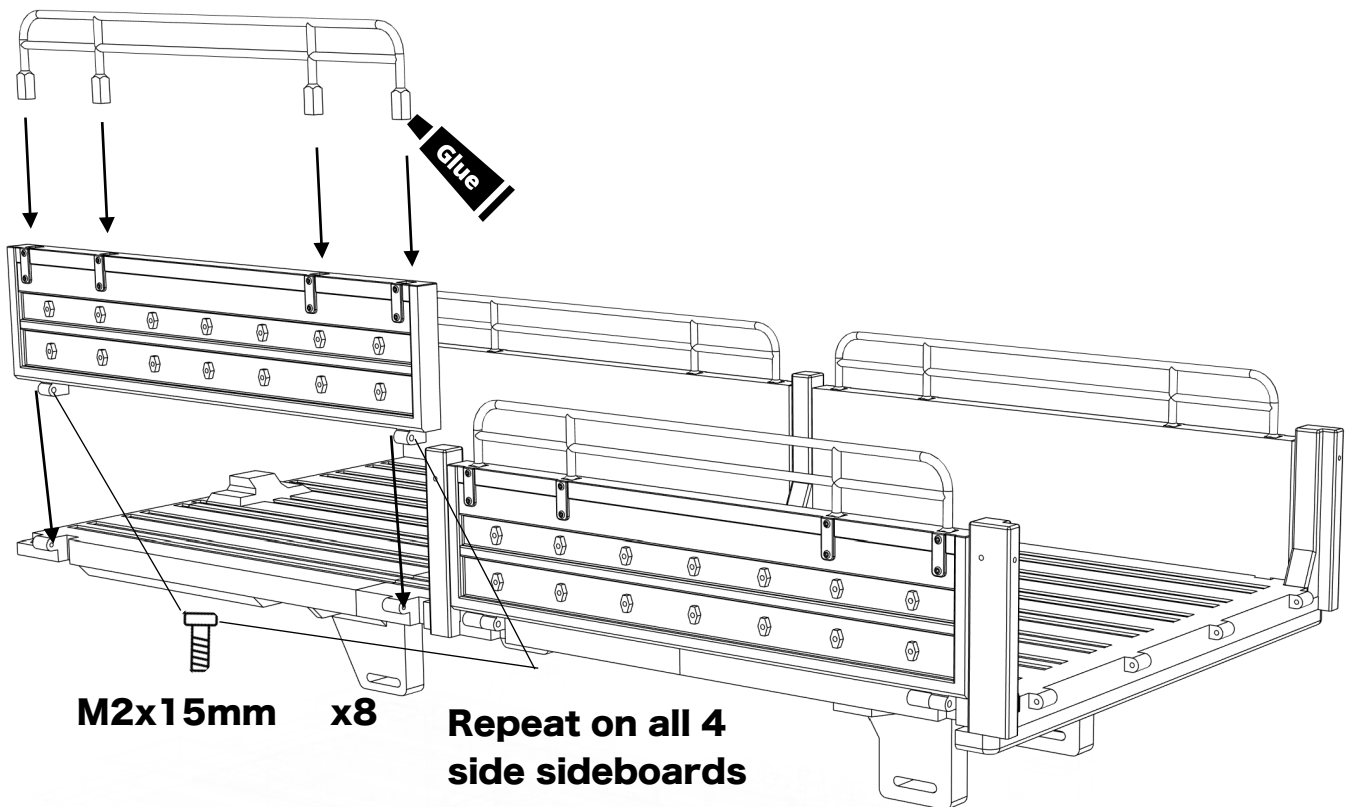
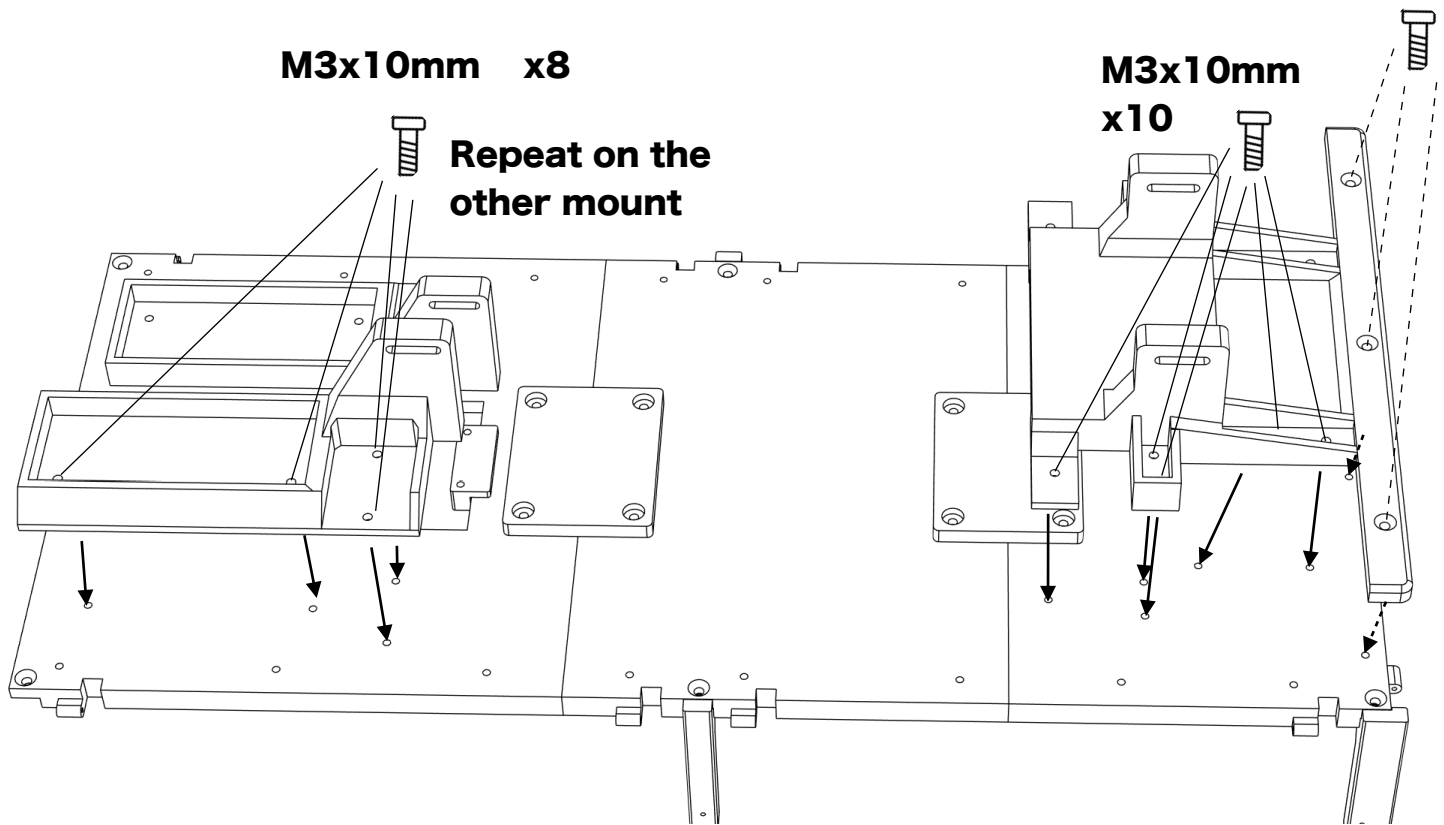


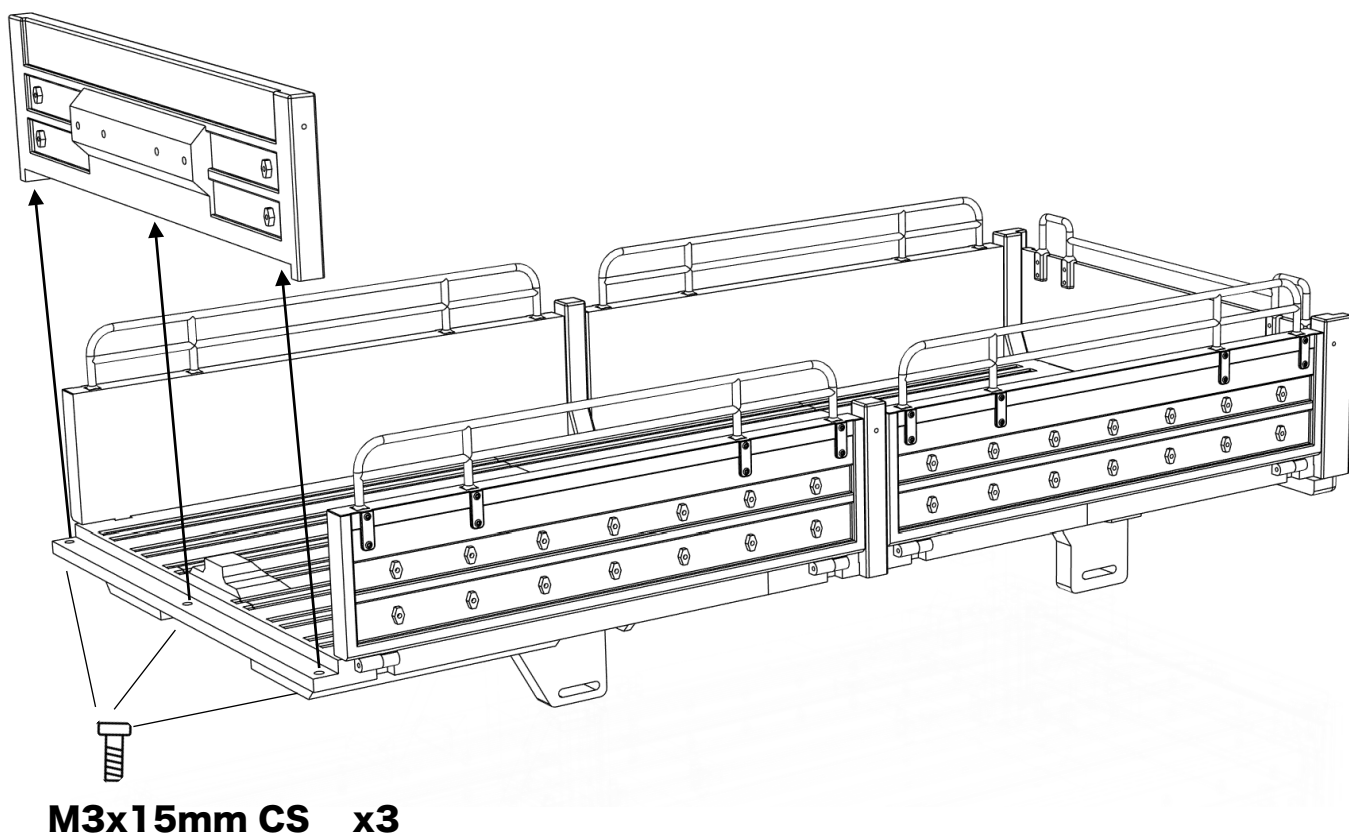
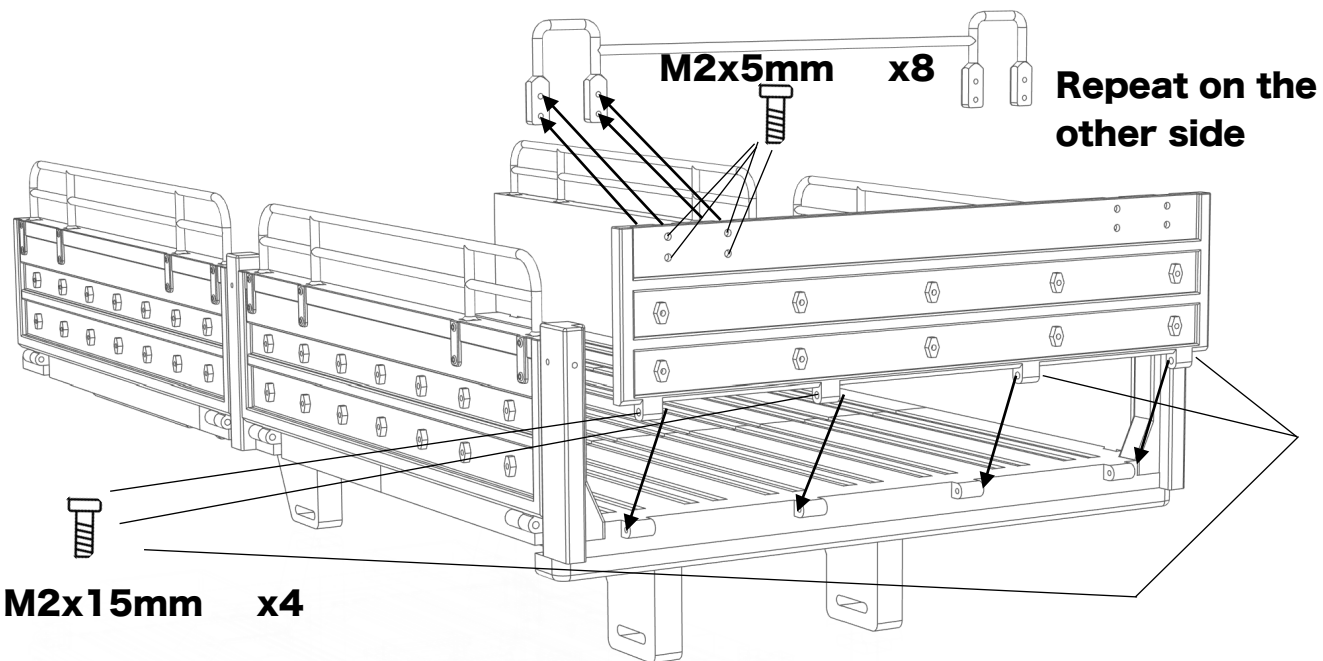
Repeat on all 4 pillars M3x15mm CS x4

Installing the mounts and sideboards

Repeat on the other side

M3x15mm CS x3

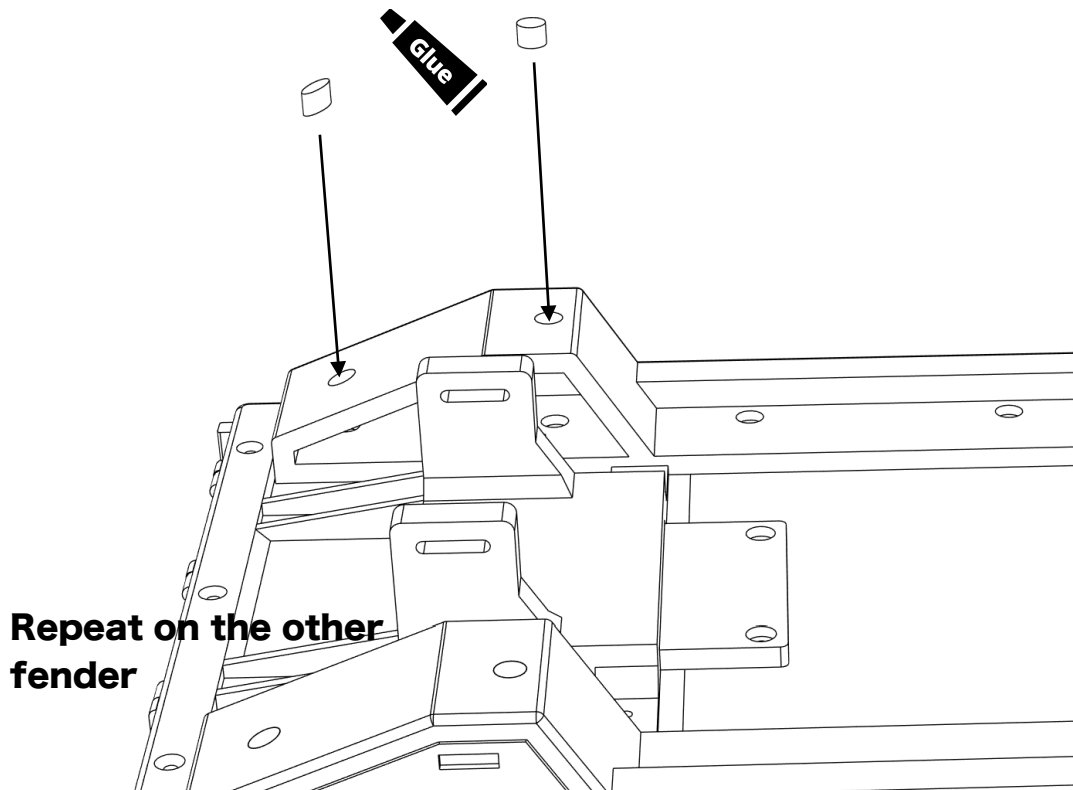
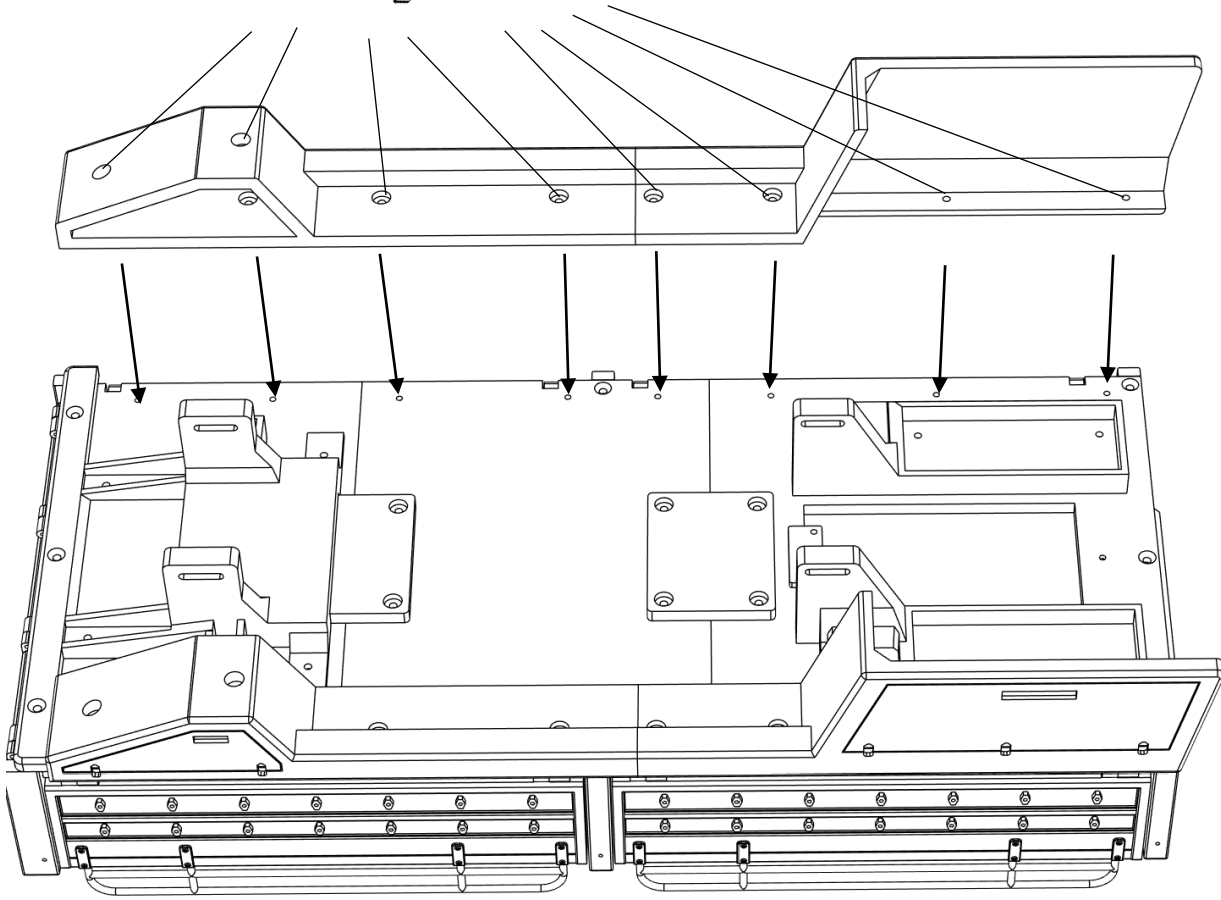




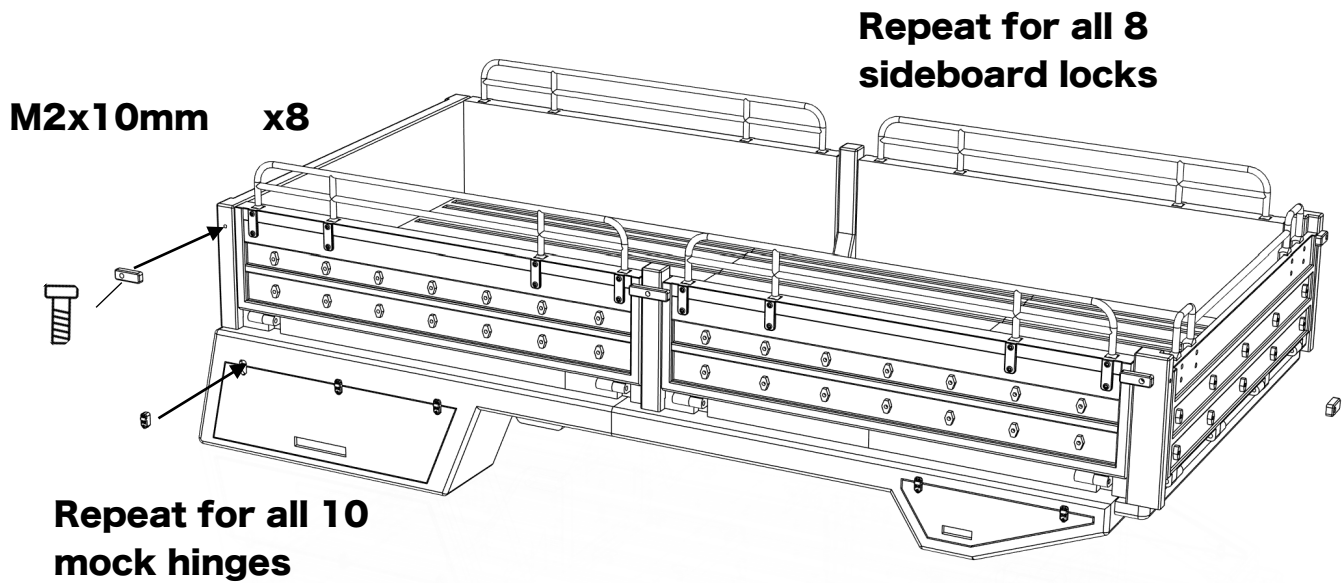
Installing the fenders

 M3x10mm x16

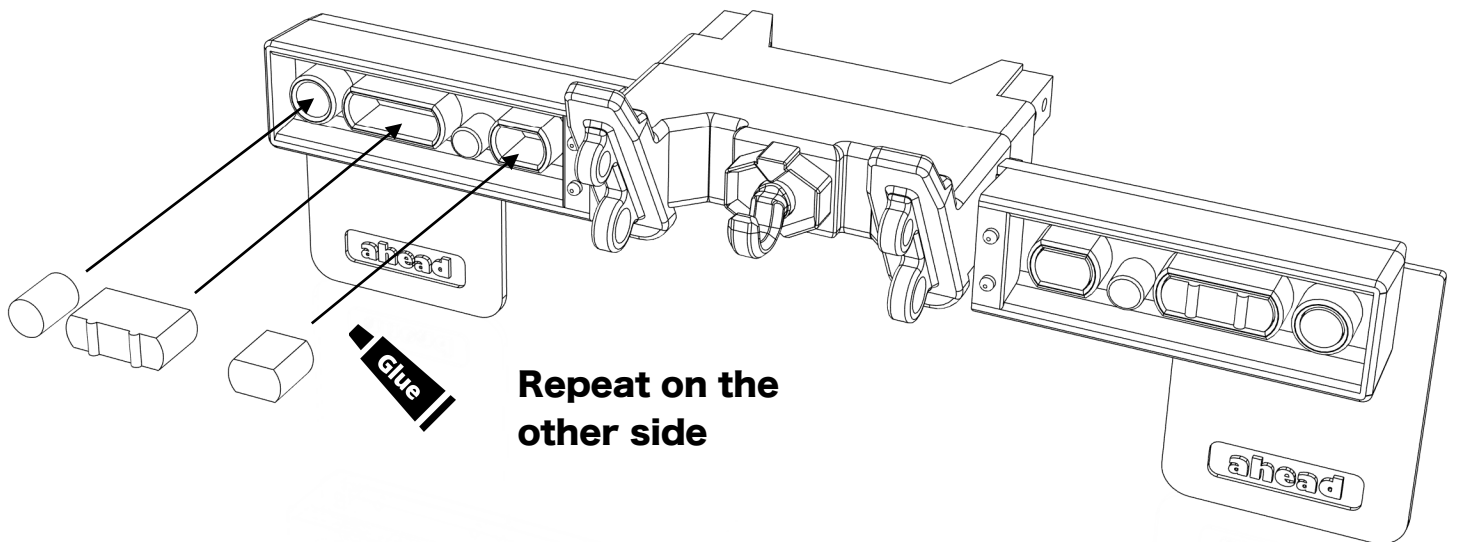
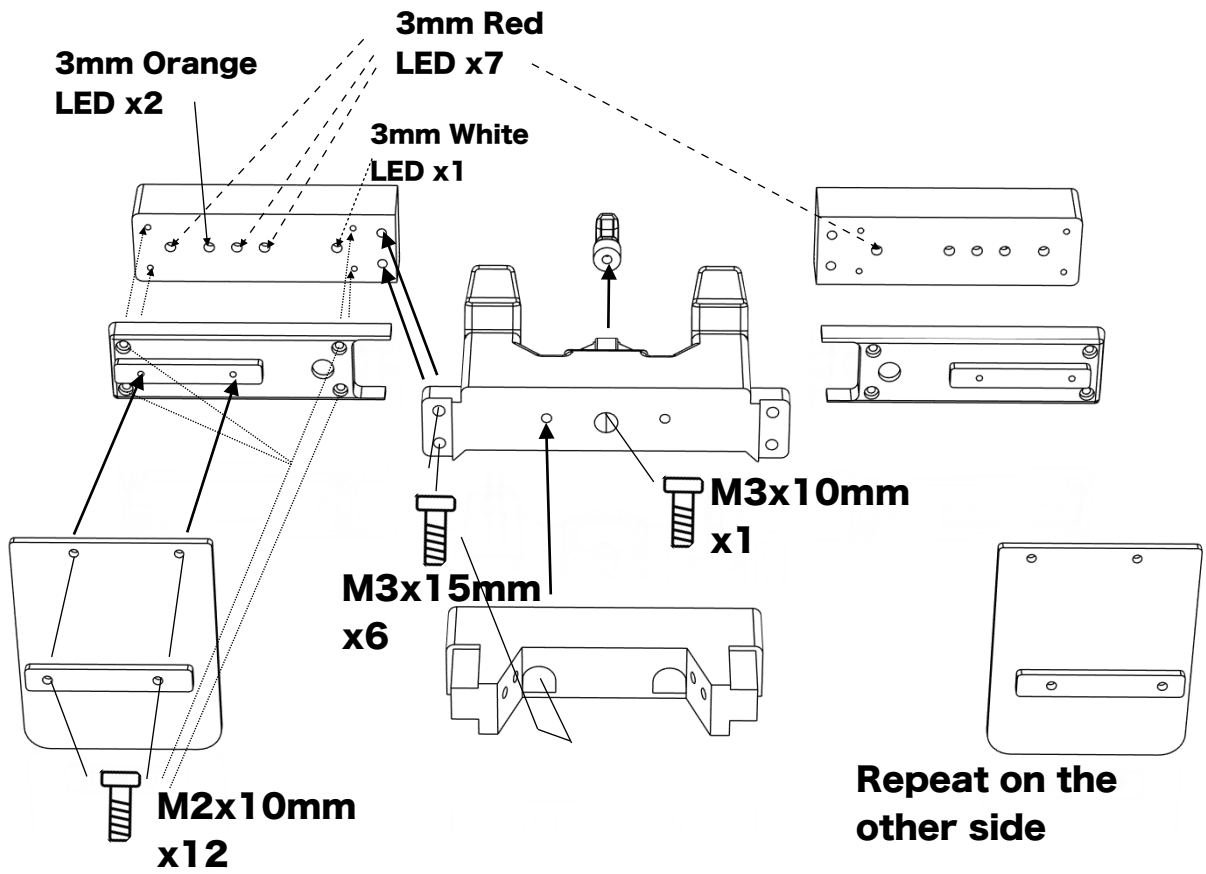
Repeat on the other fender



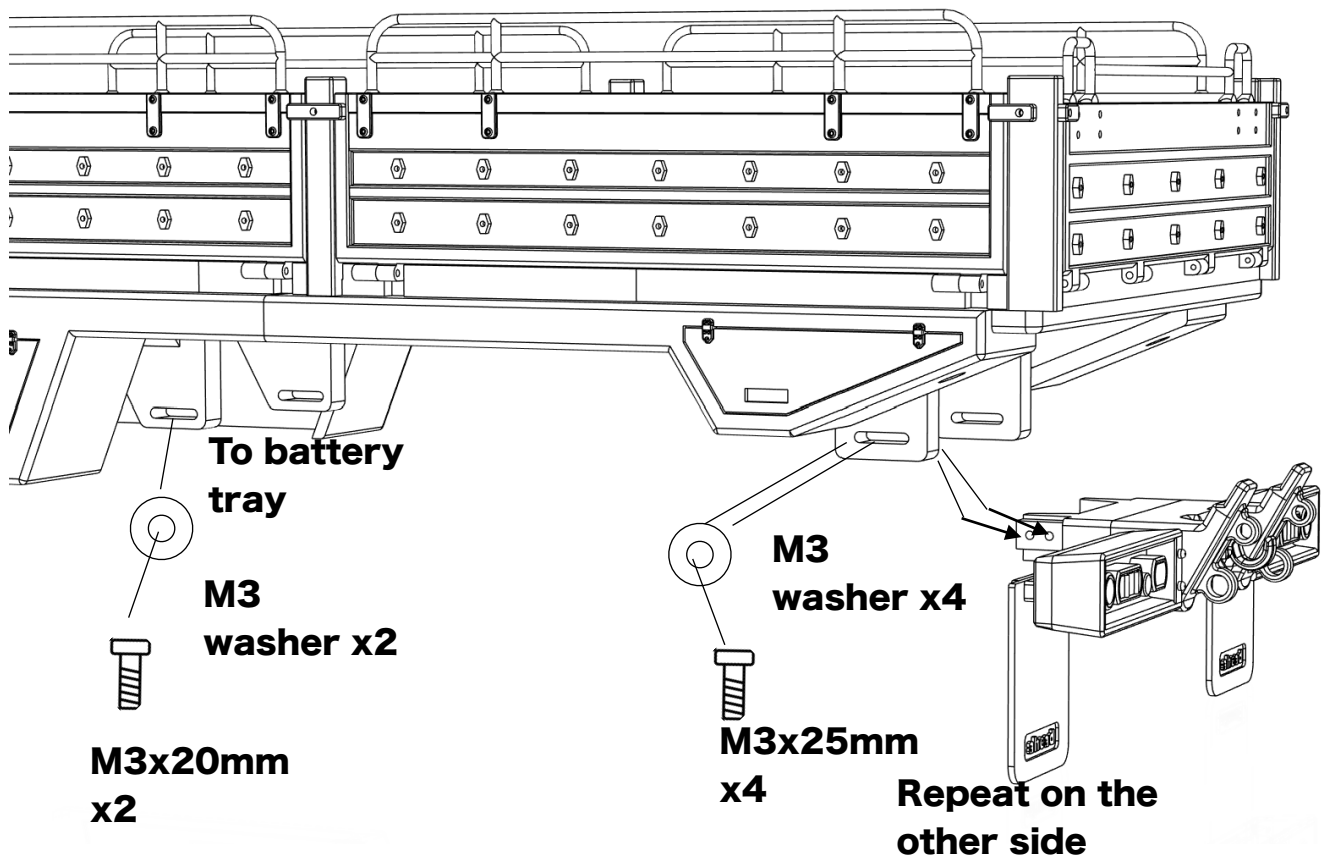
Installing the sideboard locks and mock hinges



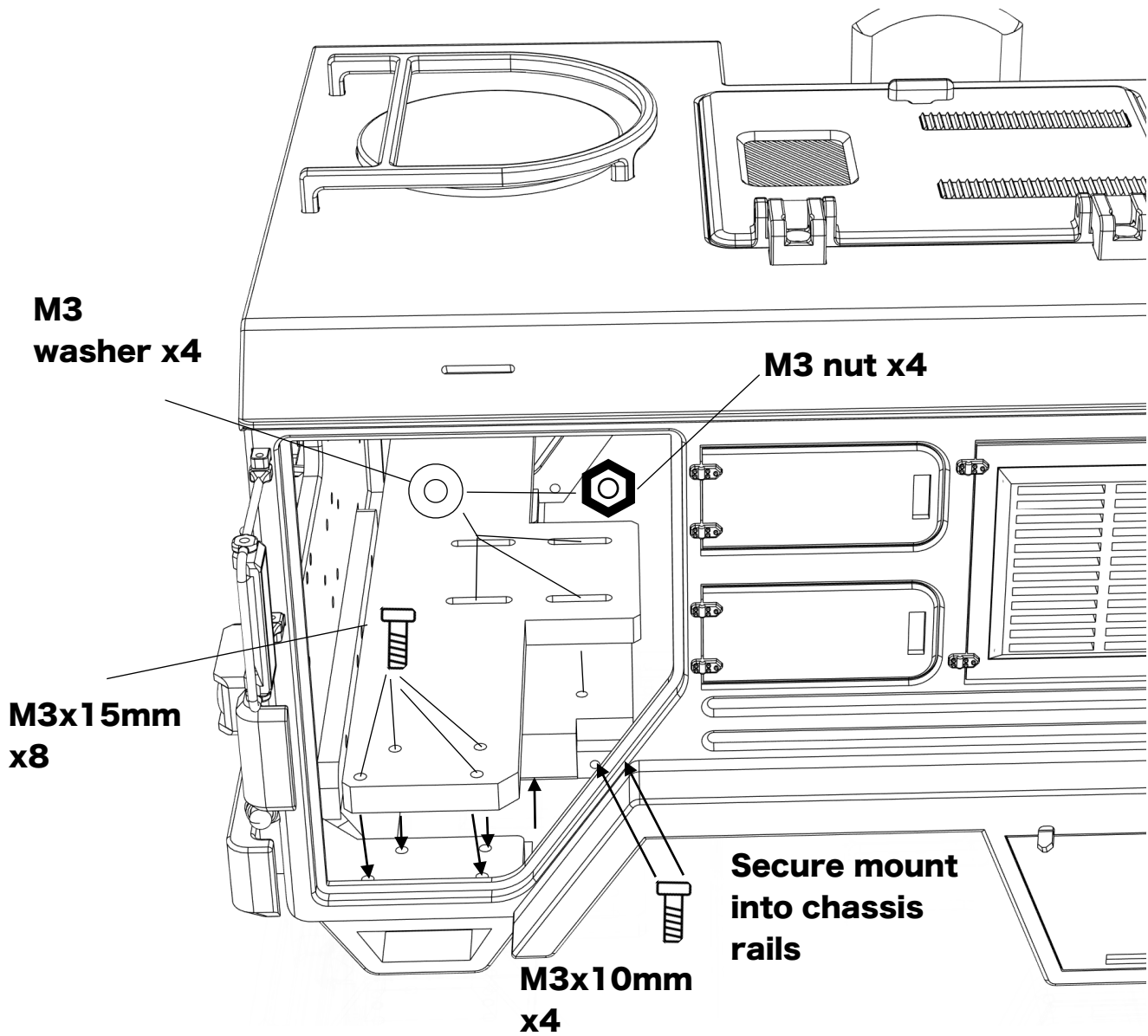
Assembling the bumper and mudflaps



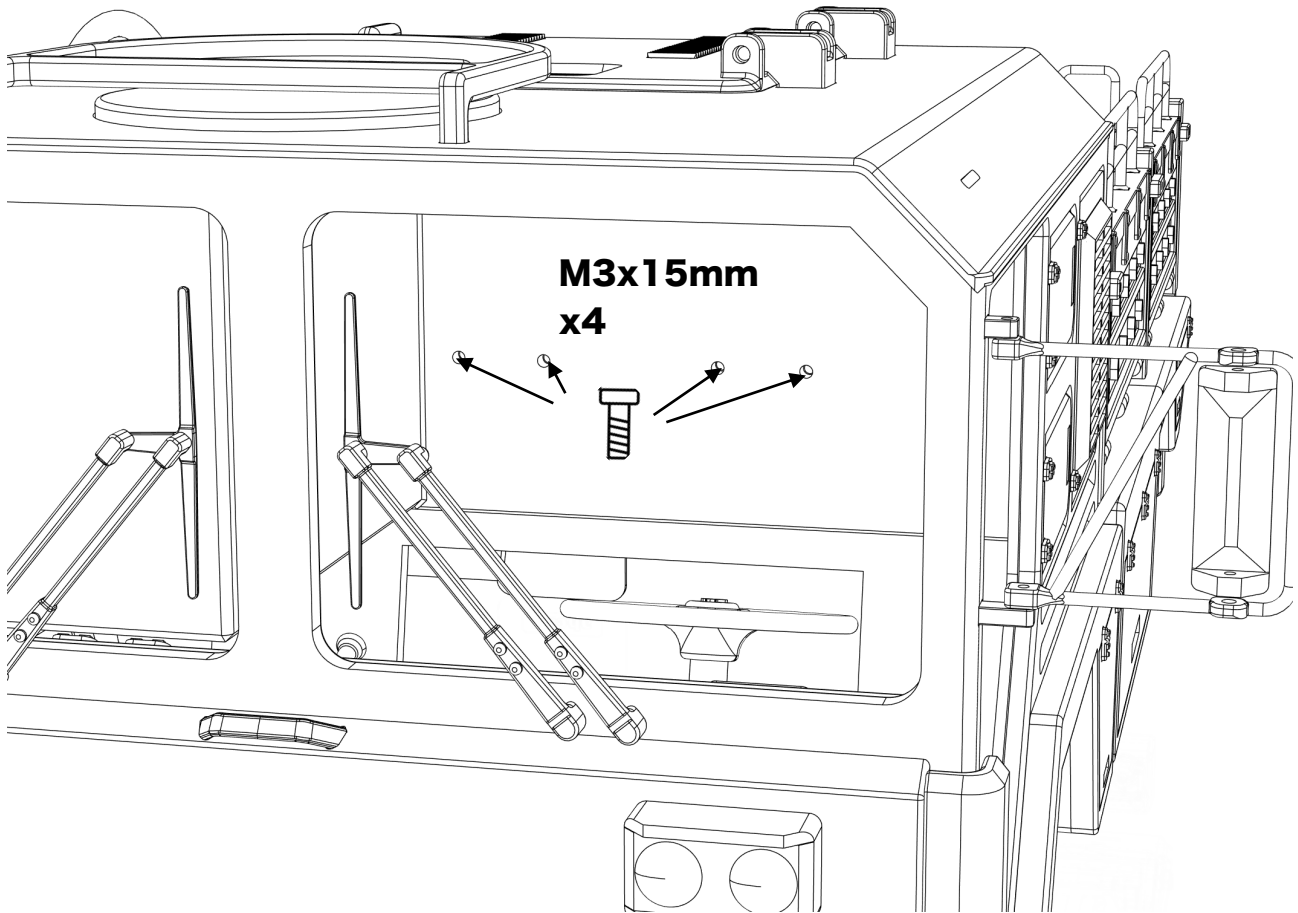
Mounting the flatbed onto the chassis

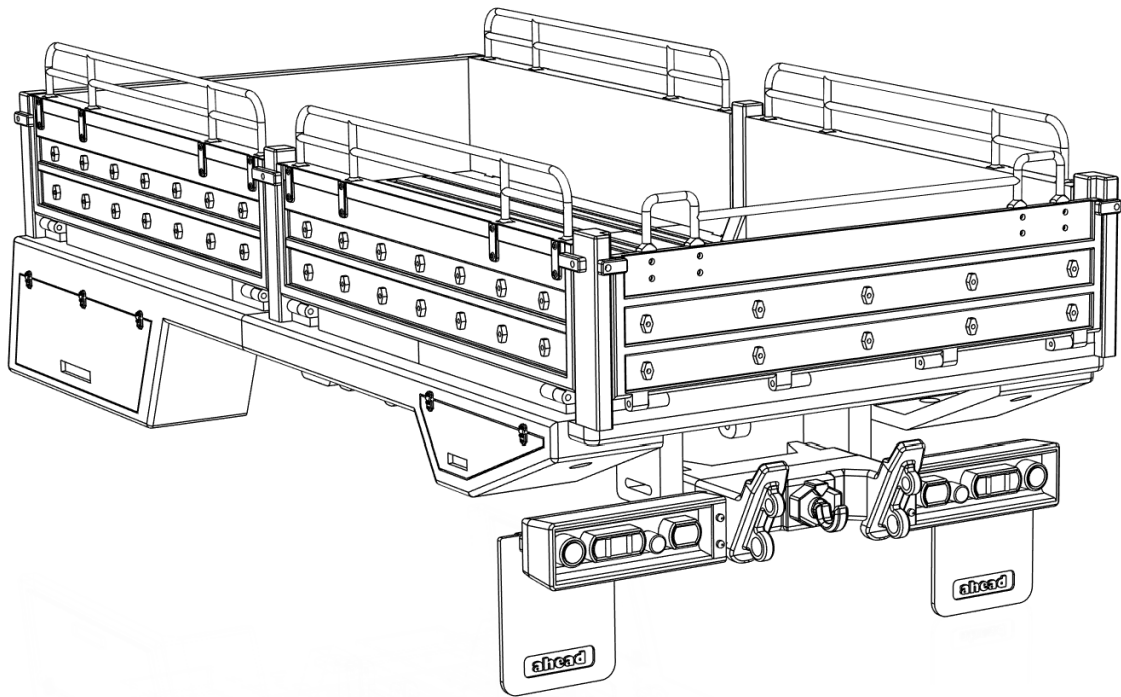


Mounting the cab to the flatbed



**Secure screws through
cab rear wall into front
sideboard**





Body is now fully complete. Thank you for selecting ahead RC products.

If you have any questions or need help with the assembly, please do not hesitate to contact us at:

aheadrc@gmail.com

or visit us at:

www.aheadrc.com

Best of luck with your build!