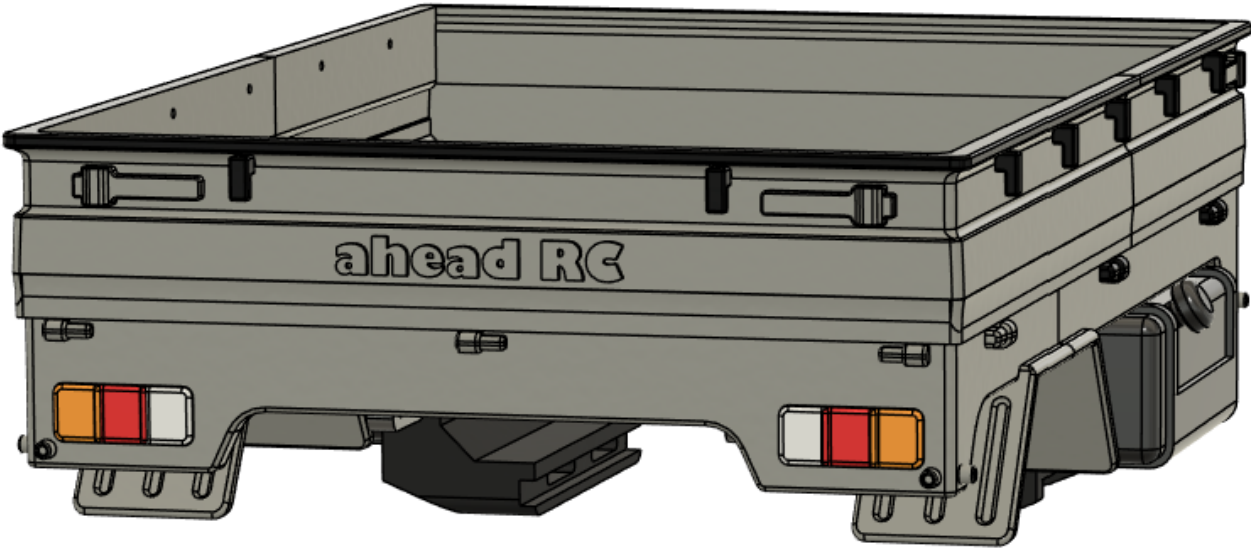


# ahead RC Crawler Kei Flatbed Assembly Manual



## Required tools and hardware

### Tools

- 1.5mm Hex Driver
- 2.0mm Hex Driver
- 2.5mm Hex Driver
- Needle Nosed Pliers
- Instant Glue

### Electronics

- 3mm Orange LED x3
- 3mm Red LED x3
- 3mm White LED x3

### Hardware

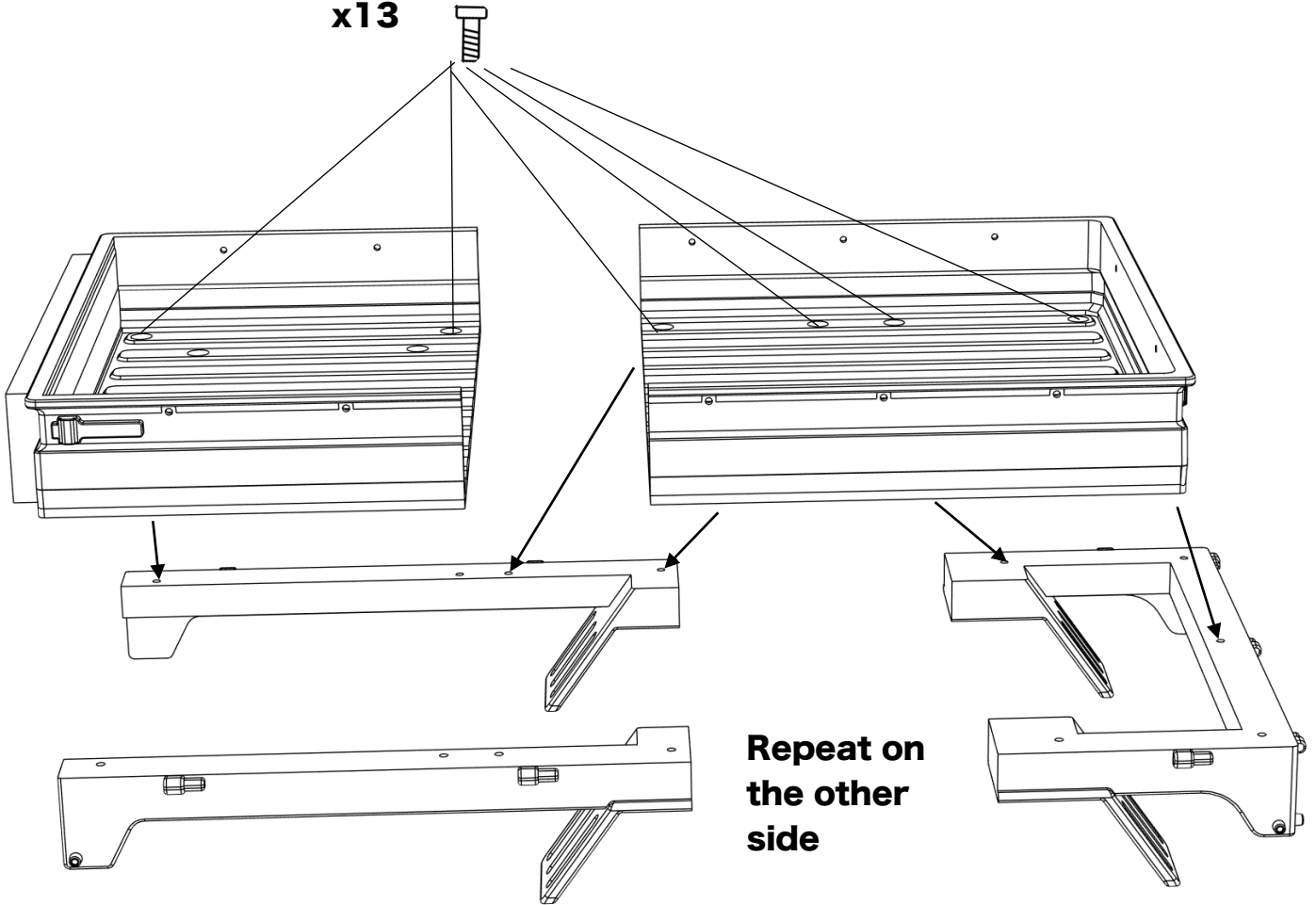
Hardware	Quantity	Check ✓
M2*5 Socket head	12	
M3*15 Socket head	9	
M3*15 Countersunk (CS)	17	
M3*30 Countersunk (CS)	2	
Your own screws for securing the body mount to the chassis. Body mounting tabs are ~10mm in width.	4	
M3 washer for securing body mounts.	4	
Your own screws for the included shock mounts. Shock towers are ~5mm in width.	4	

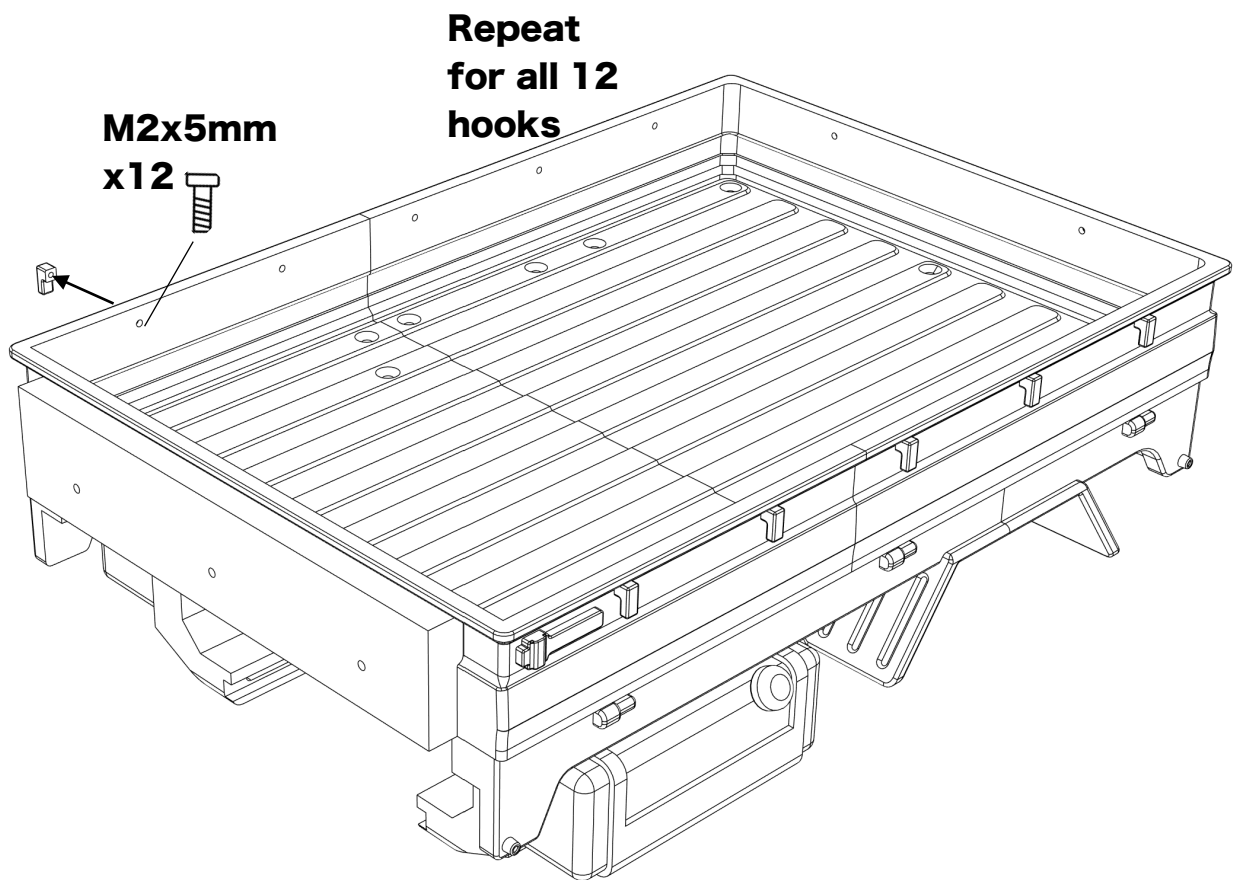
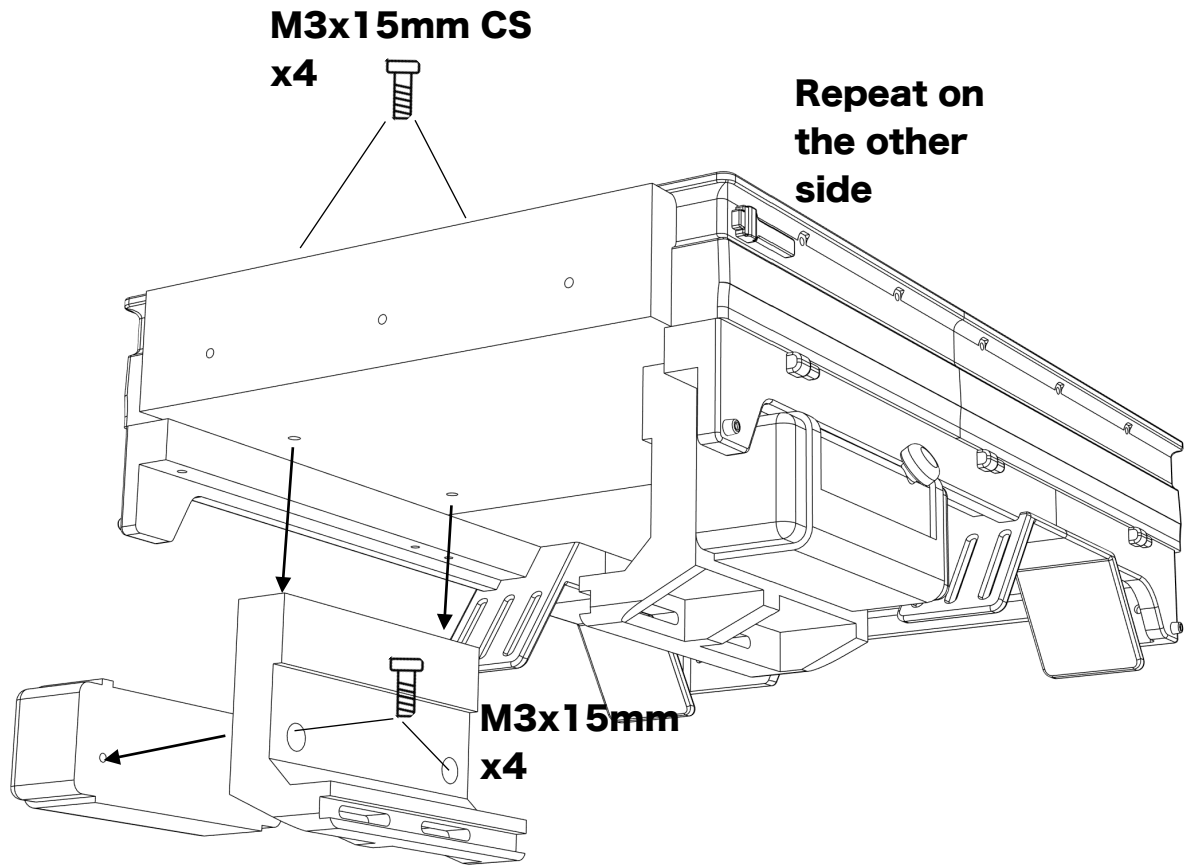
# Before you begin

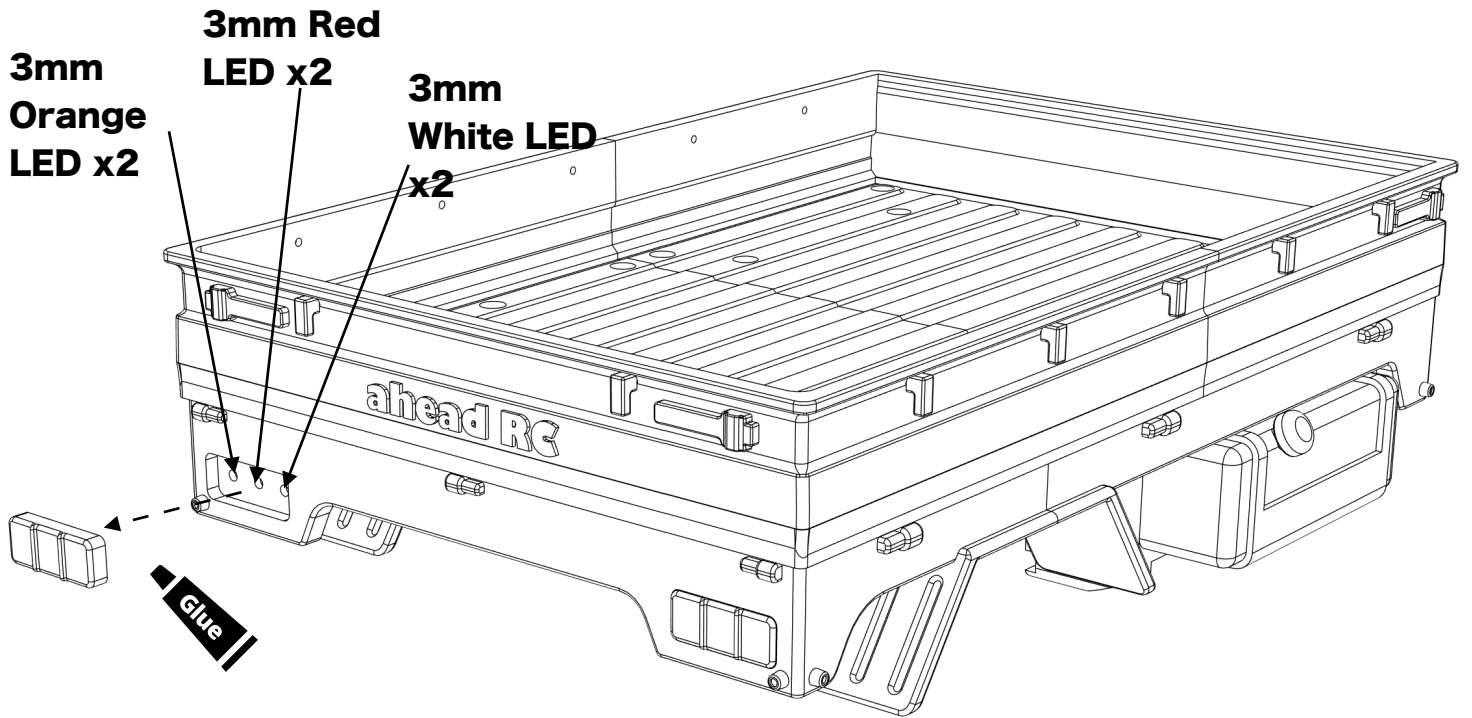
- Be sure to read through the manual and familiarise yourself with the instructions
- Visualise a plan to assemble all the pieces
- Make sure you have all of the hardware and tools
- Be sure to have enough instant glue
- Dry fit all parts before painting and assembling

**Tip:** It will help to paint all of the parts before final assembly

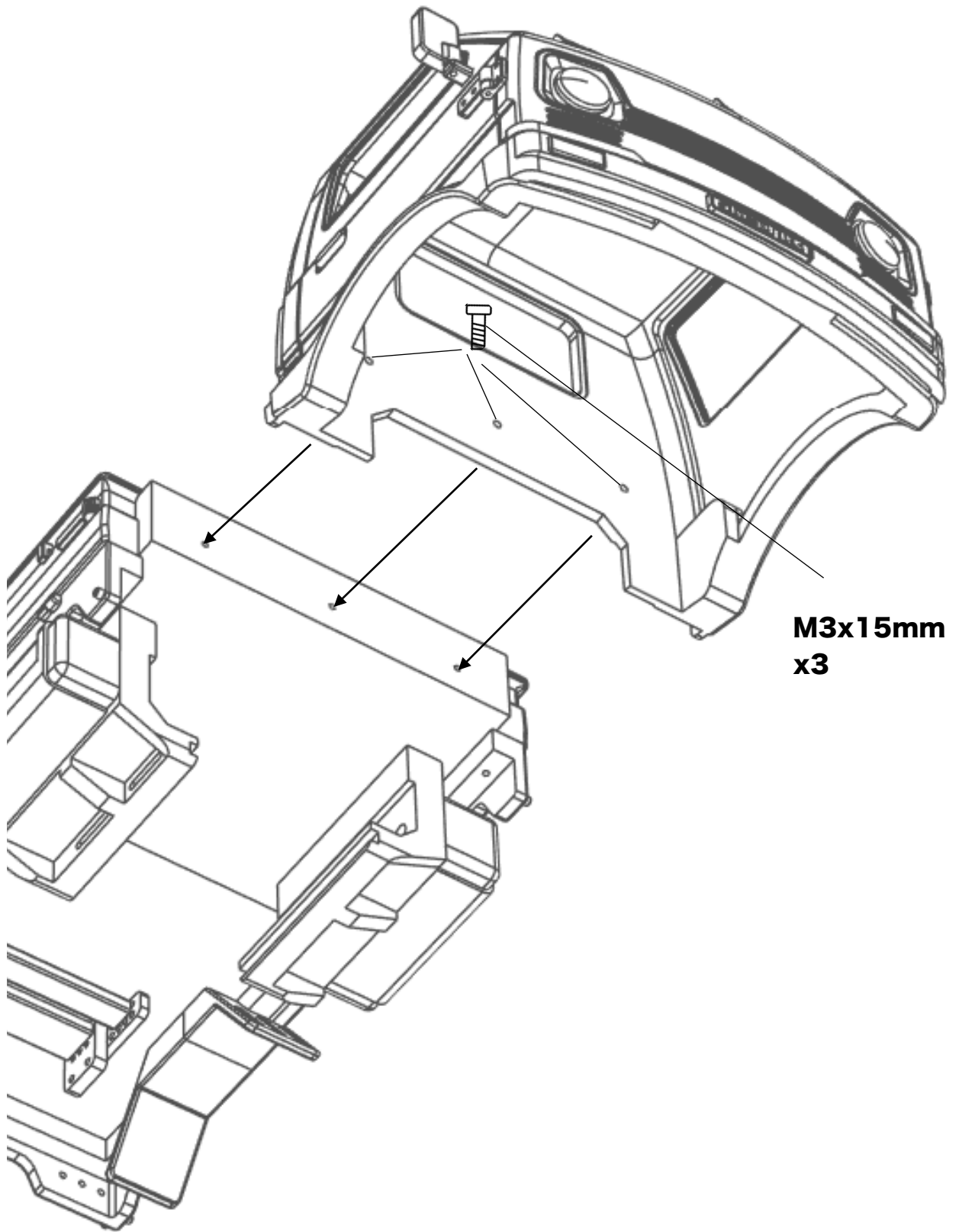
**M3x10mm CS  
x13**



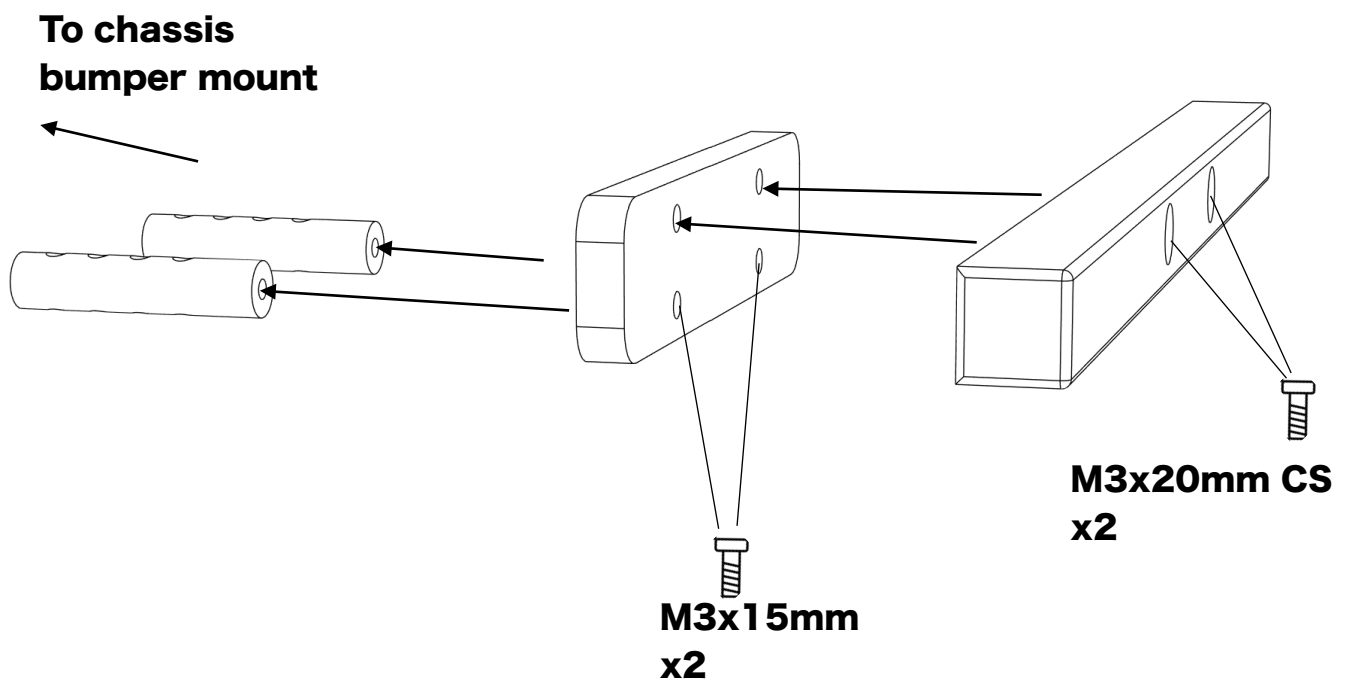




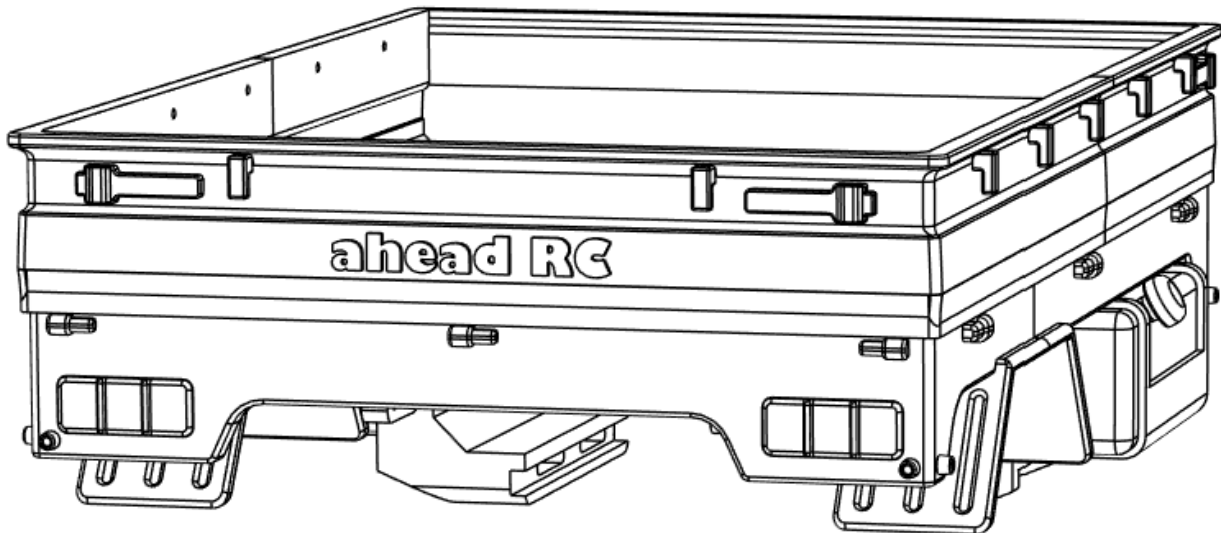
**Repeat on  
the other  
side**



**M3x15mm  
x3**







Body is now fully complete. Thank you for selecting ahead RC products.

If you have any questions or need help with the assembly, please do not hesitate to contact us at:

[aheadrc@gmail.com](mailto:aheadrc@gmail.com)

or visit us at:

[www.aheadrc.com](http://www.aheadrc.com)

## Hope you enjoy the build!