

ahead RC Crawler Cat 1 TRX6 Tow Bed Assembly Manual



Required tools and hardware

Tools

- 1.5mm Hex Driver
- 2.0mm Hex Driver
- 2.5mm Hex Driver
- Needle Nosed Pliers
- Instant Glue
- Hot Glue

Electronics

- 3mm Orange LED x4
- 3mm Red LED x9
- 3mm White LED x3

Hardware

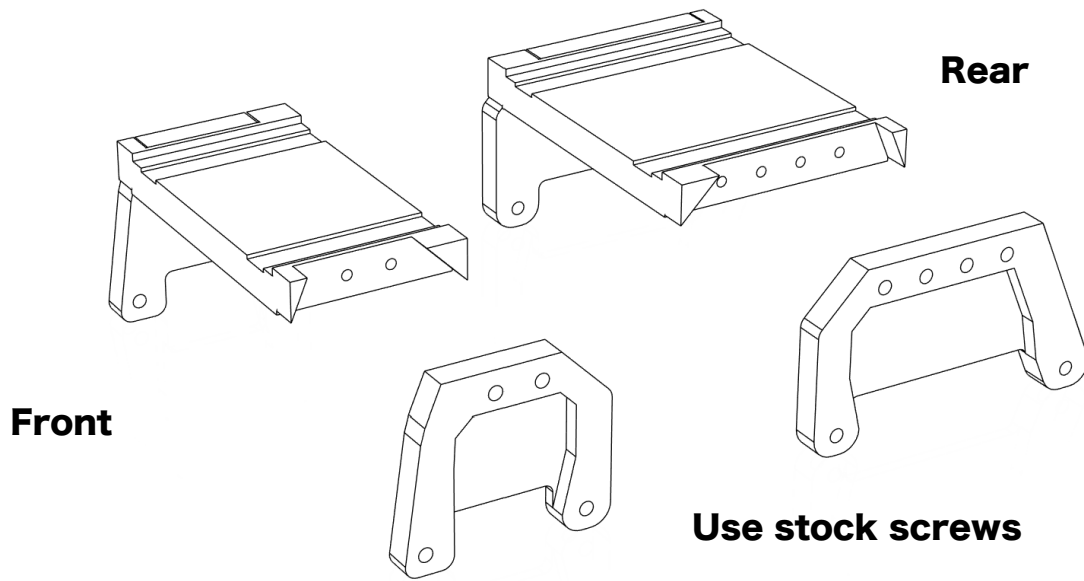
Hardware	Quantity	Check ✓
M2*8 Socket head	12	
M2*10 Socket head	12	
M3*10 Socket head	35	
M3*15 Socket head	24	
M3*20 Socket head	2	
M3*25 Socket head	4	
M3*5 Countersunk (CS)	2	
M3*10 Countersunk (CS)	1	
M3*15 Countersunk (CS)	17	
M3*10 Grub screw (GS)	4	
M3 Washer	10	
M3 Nut	4	
12x4mm magnet (with countersunk hole)	2	

Before you begin

- Be sure to read through the manual and familiarise yourself with the instructions
- Visualise a plan to assemble all the pieces
- Make sure you have all of the hardware and tools
- Be sure to have enough instant glue
- Dry fit all parts before painting and assembling

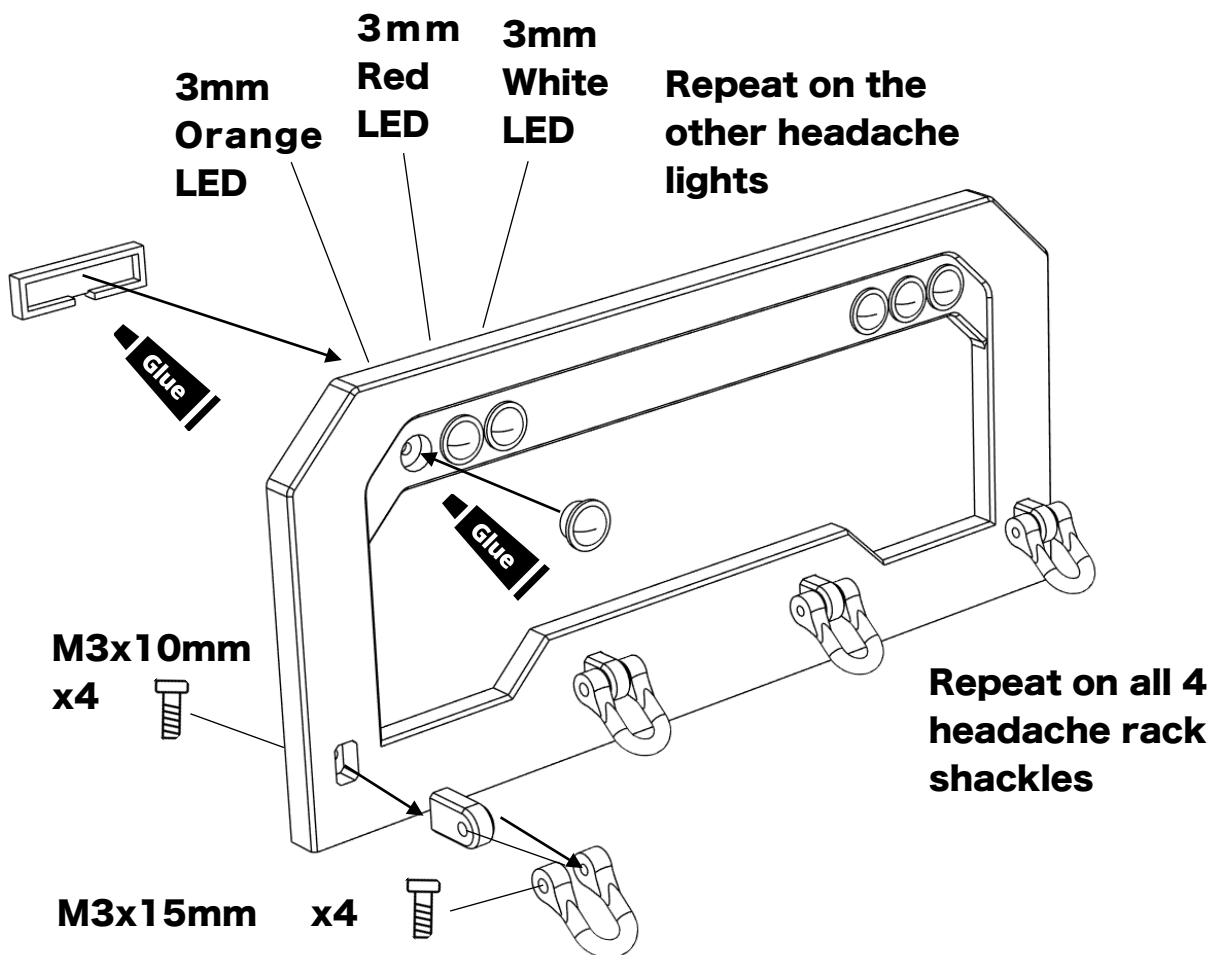
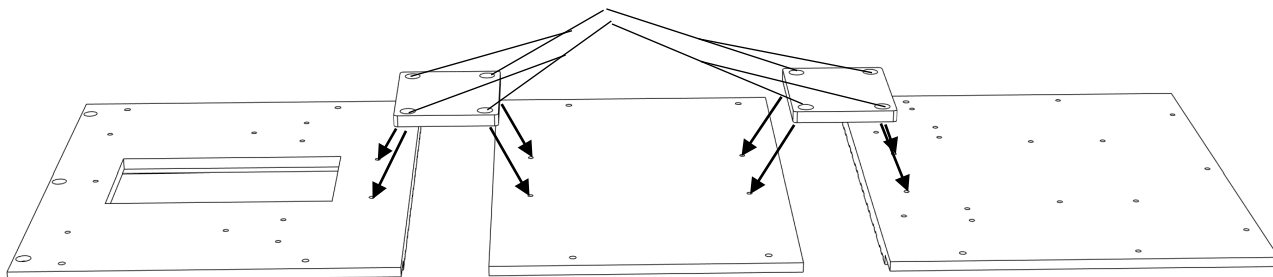
Tip: It will help to paint all of the parts before final assembly

Installing the rear shock mounts

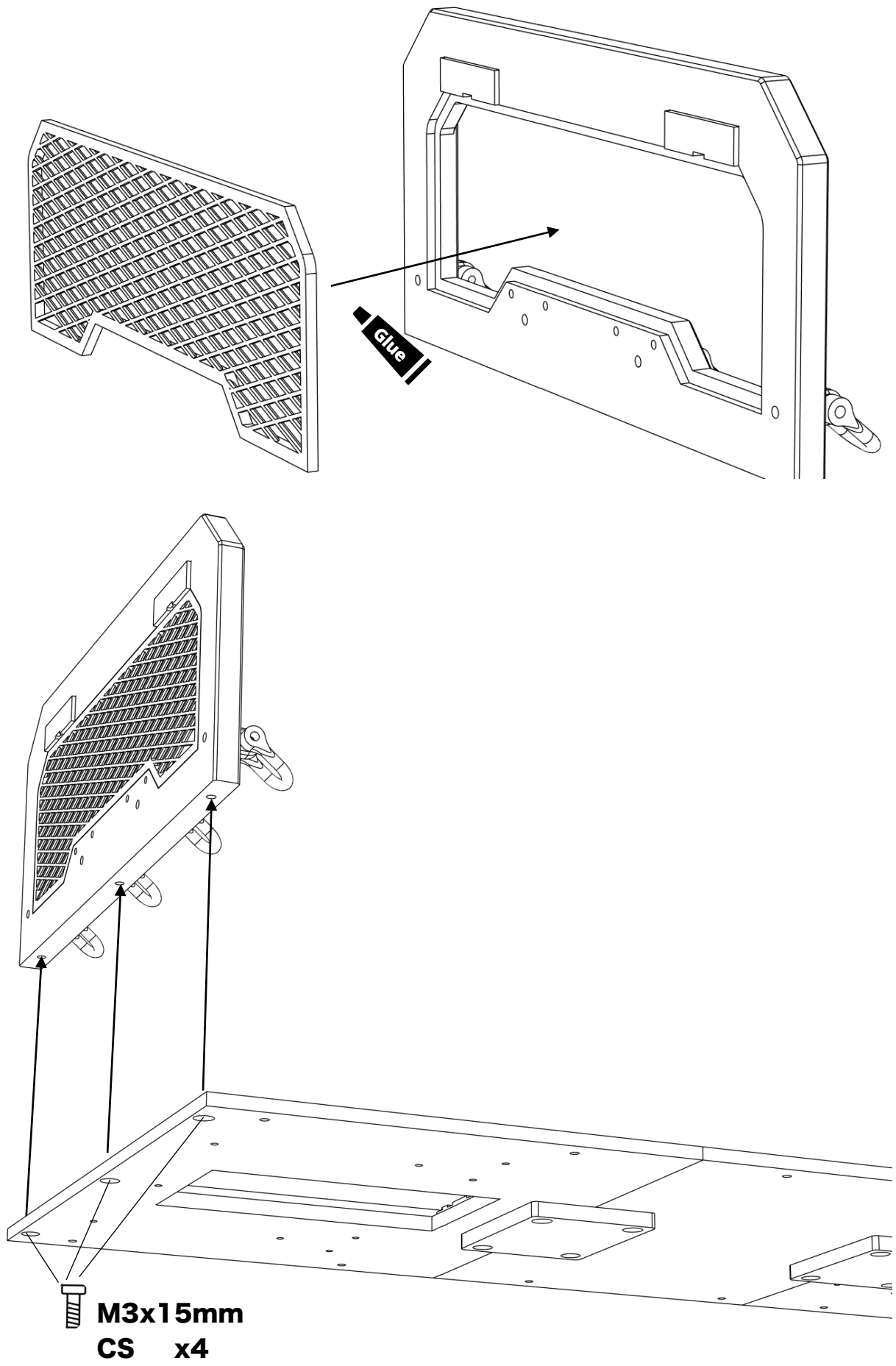


Assembling the bed and headache rack

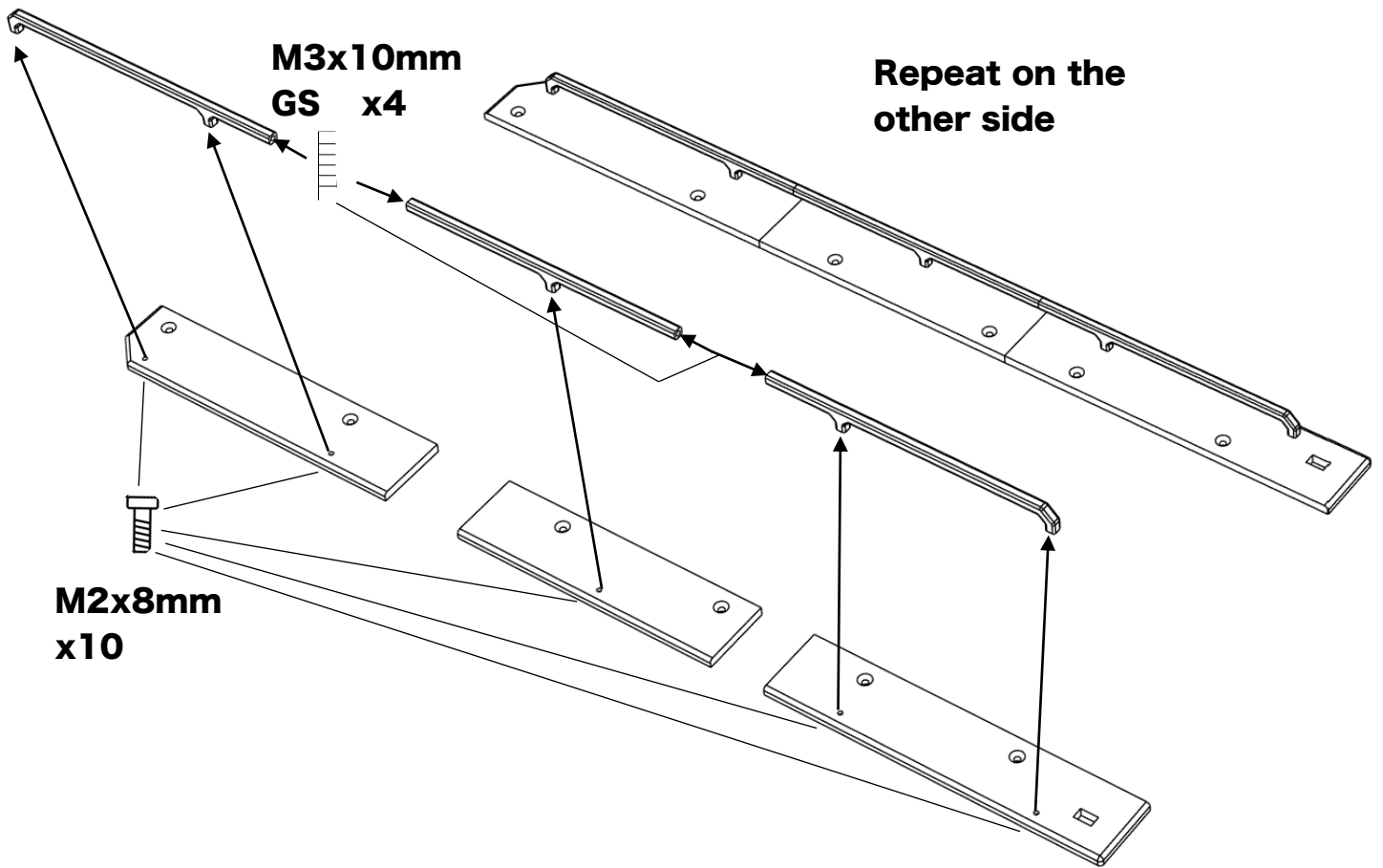
 M3x10mm x8



**Remove rear inner fenders
before installing shock
mounts**



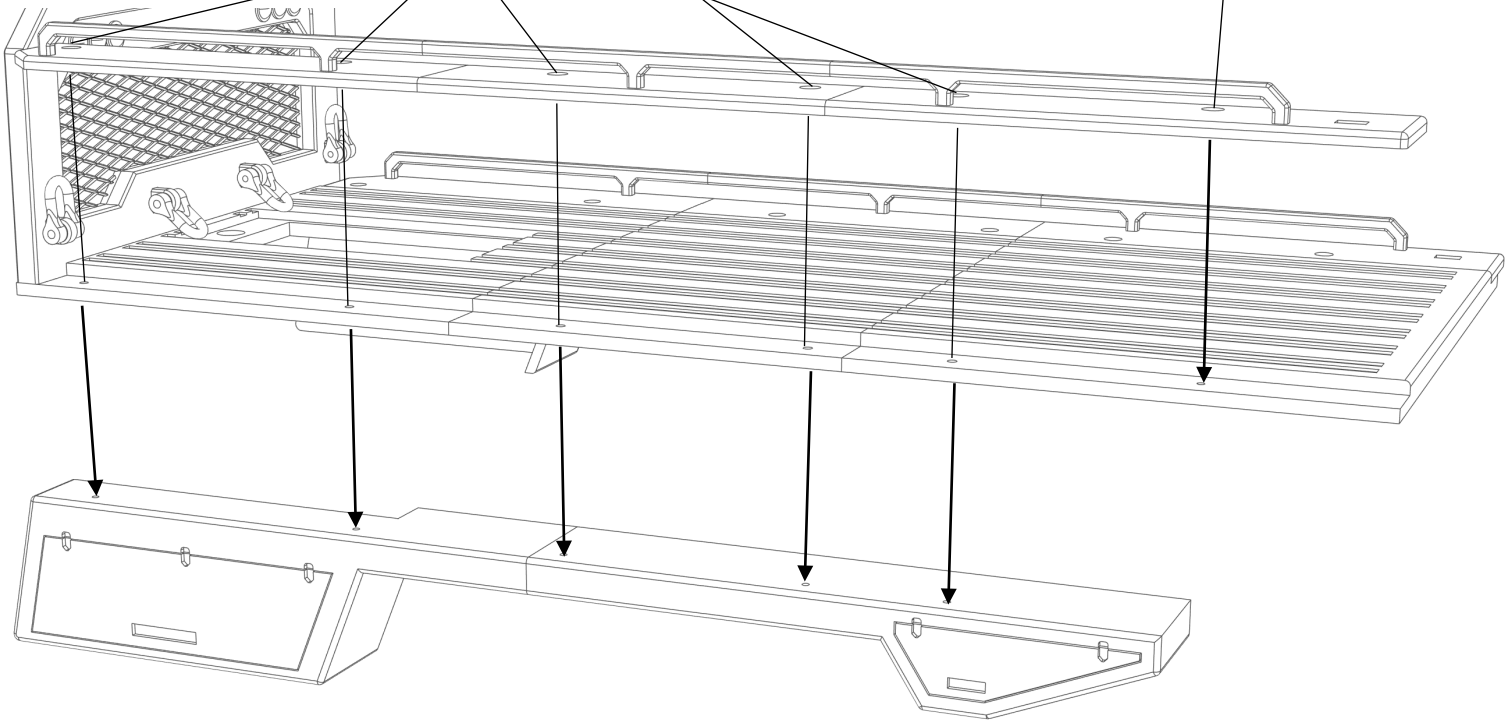
Assembling the bed flares



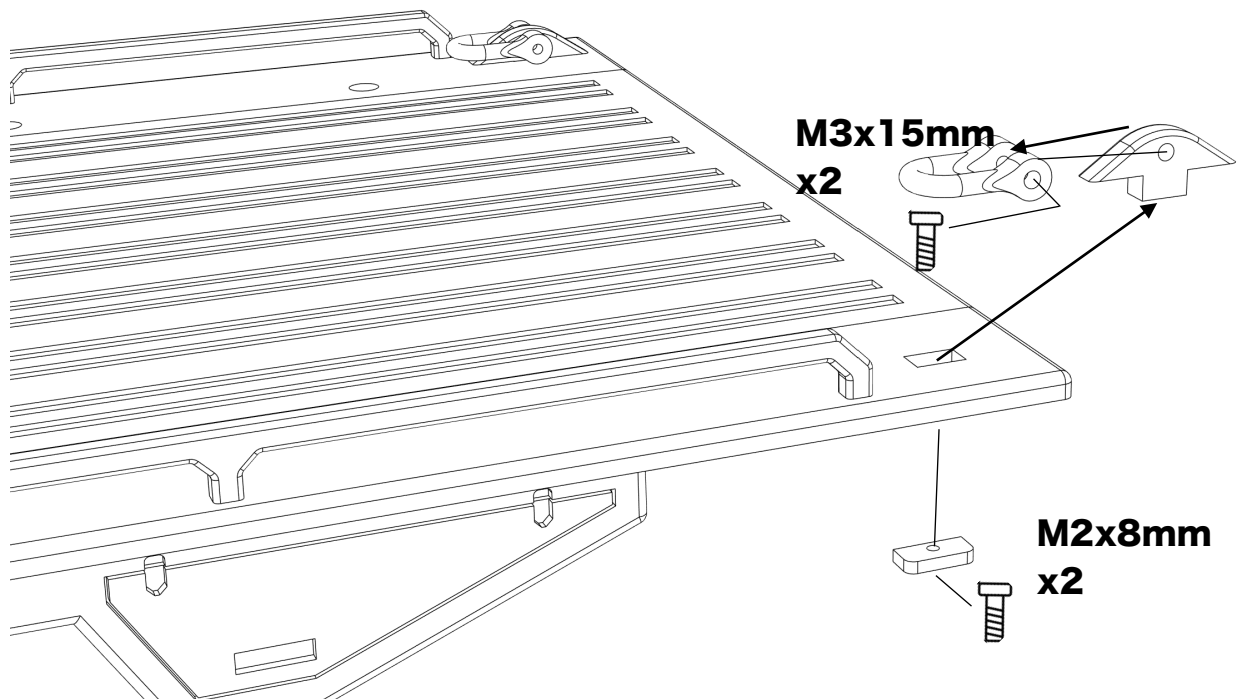
**M3x15mm CS
x10**

**Repeat on the
other side**

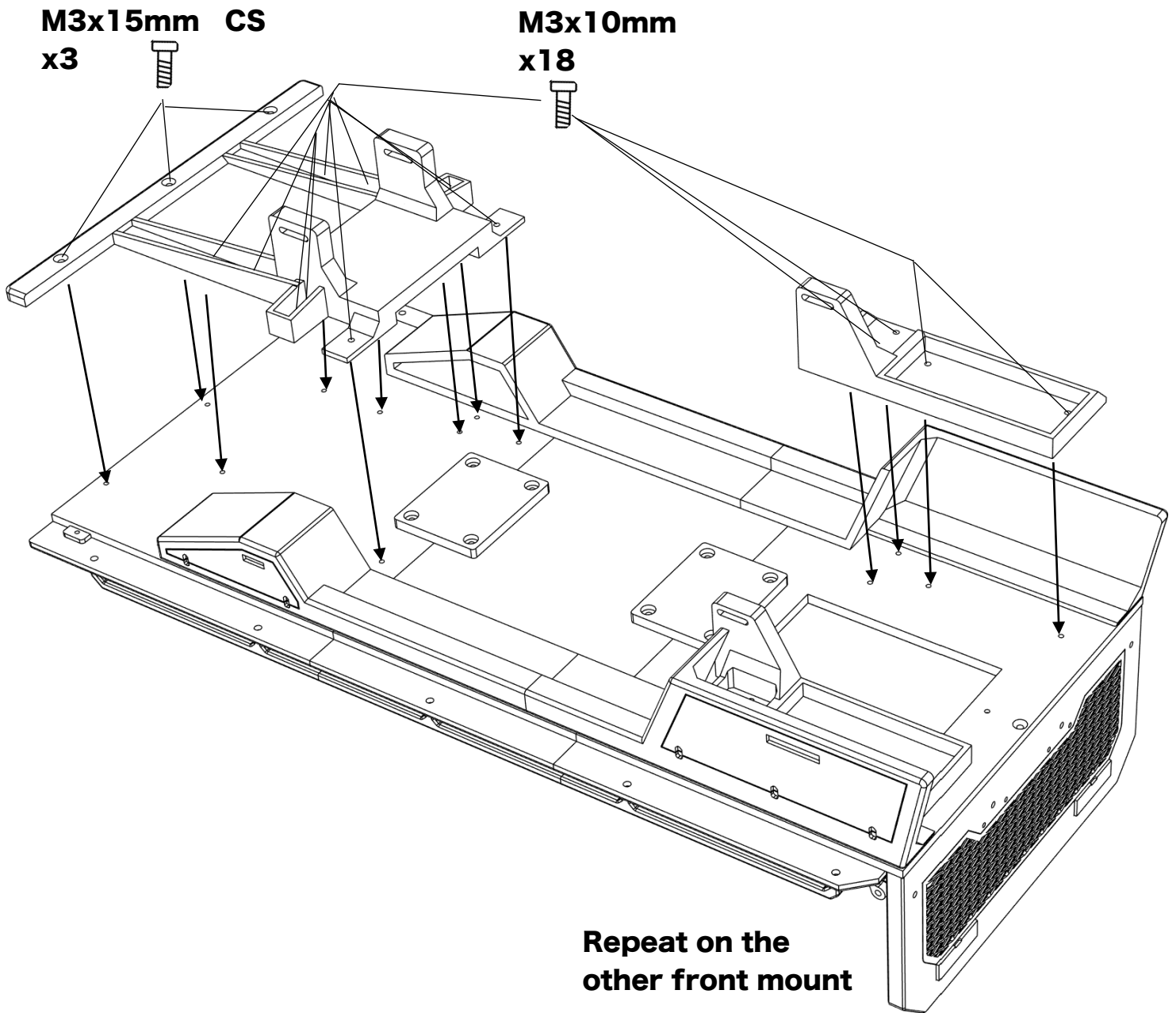
**M3x5mm CS
x2**



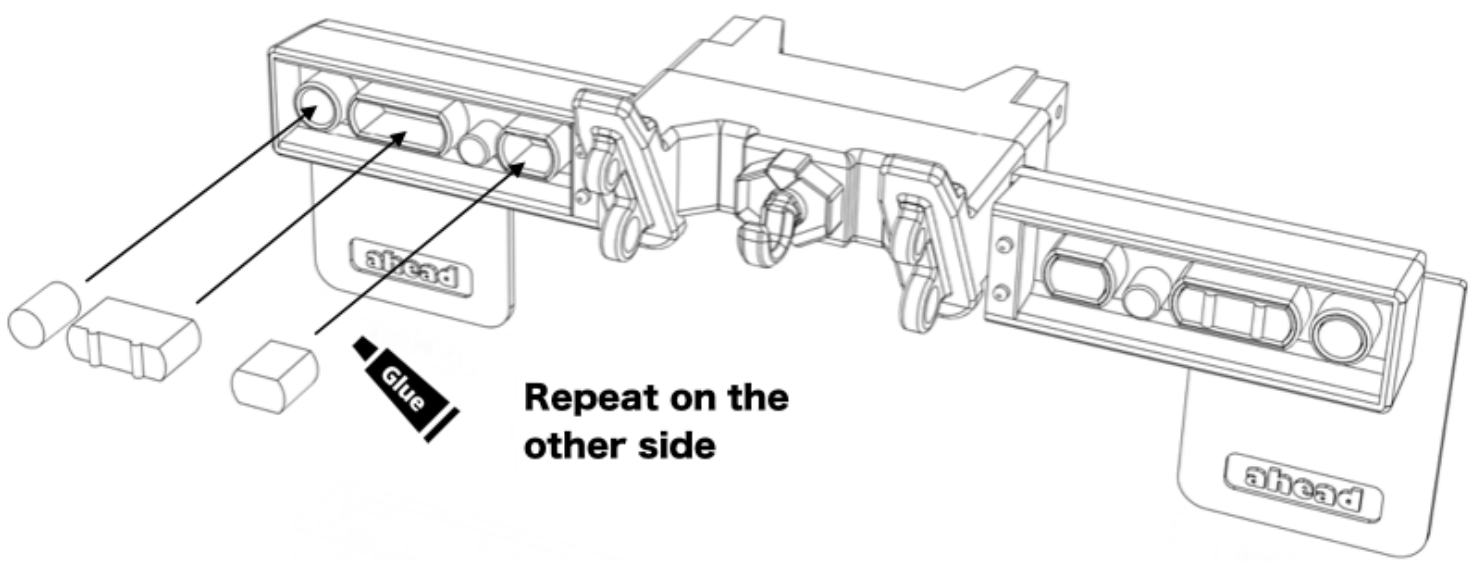
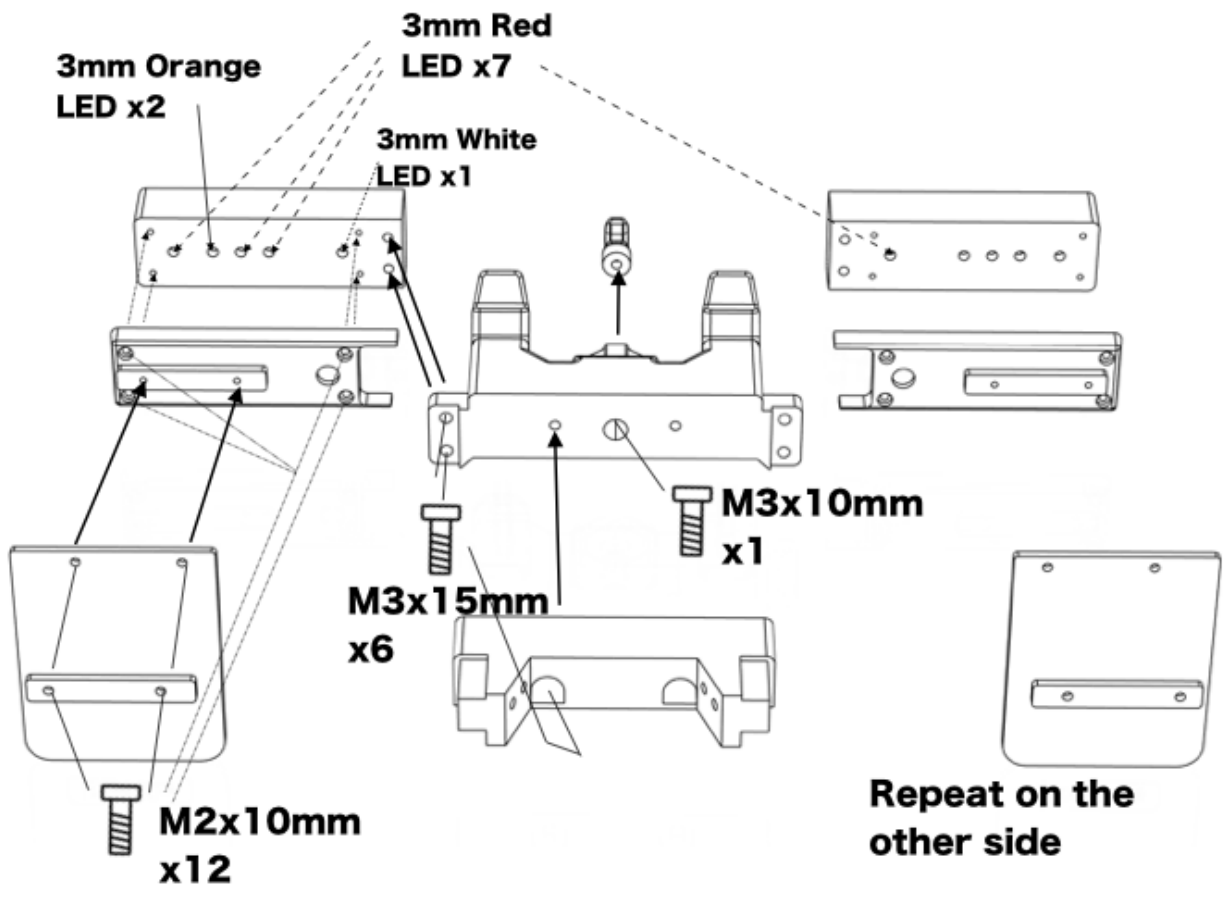
**Repeat on the
other side**



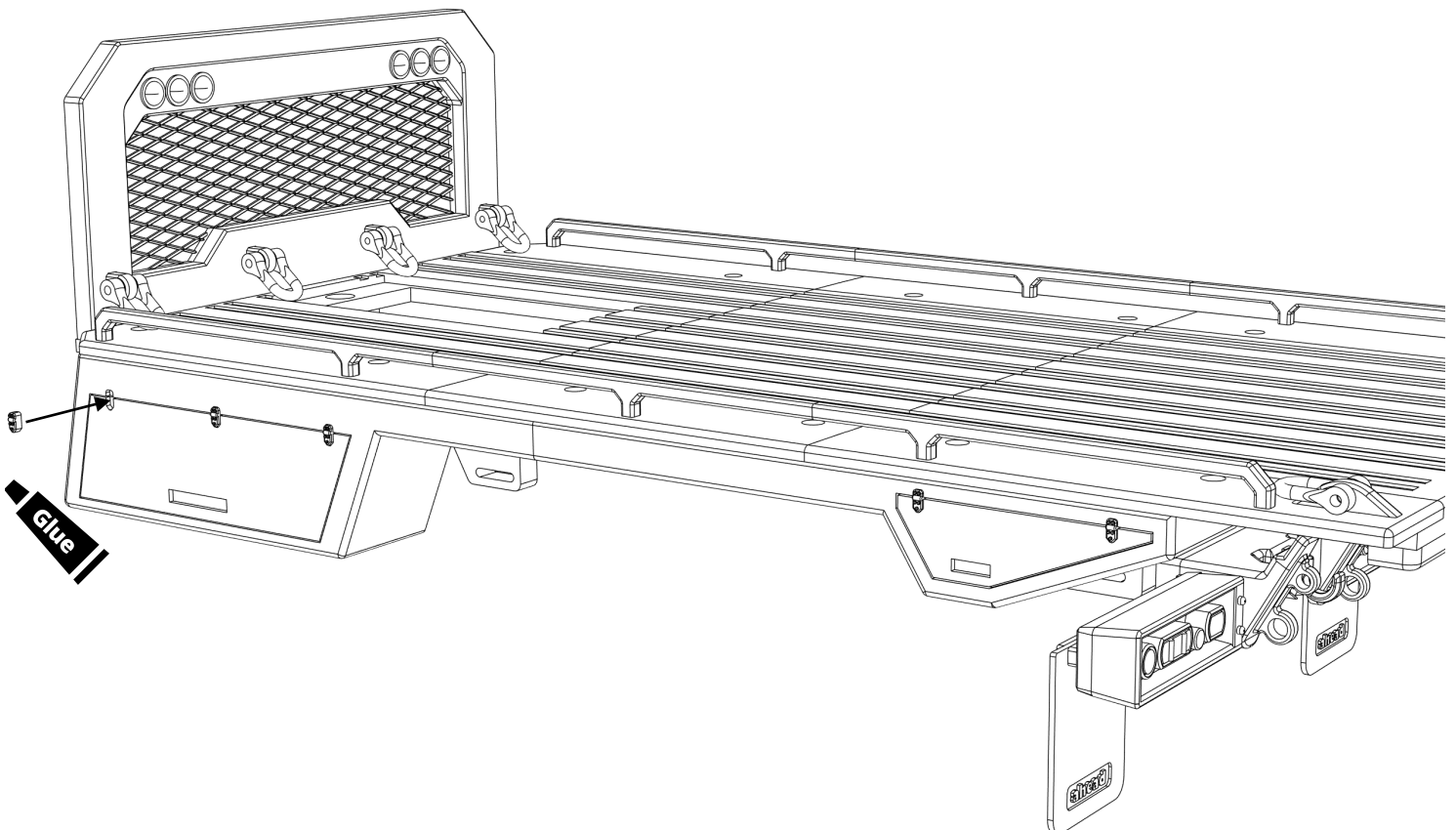
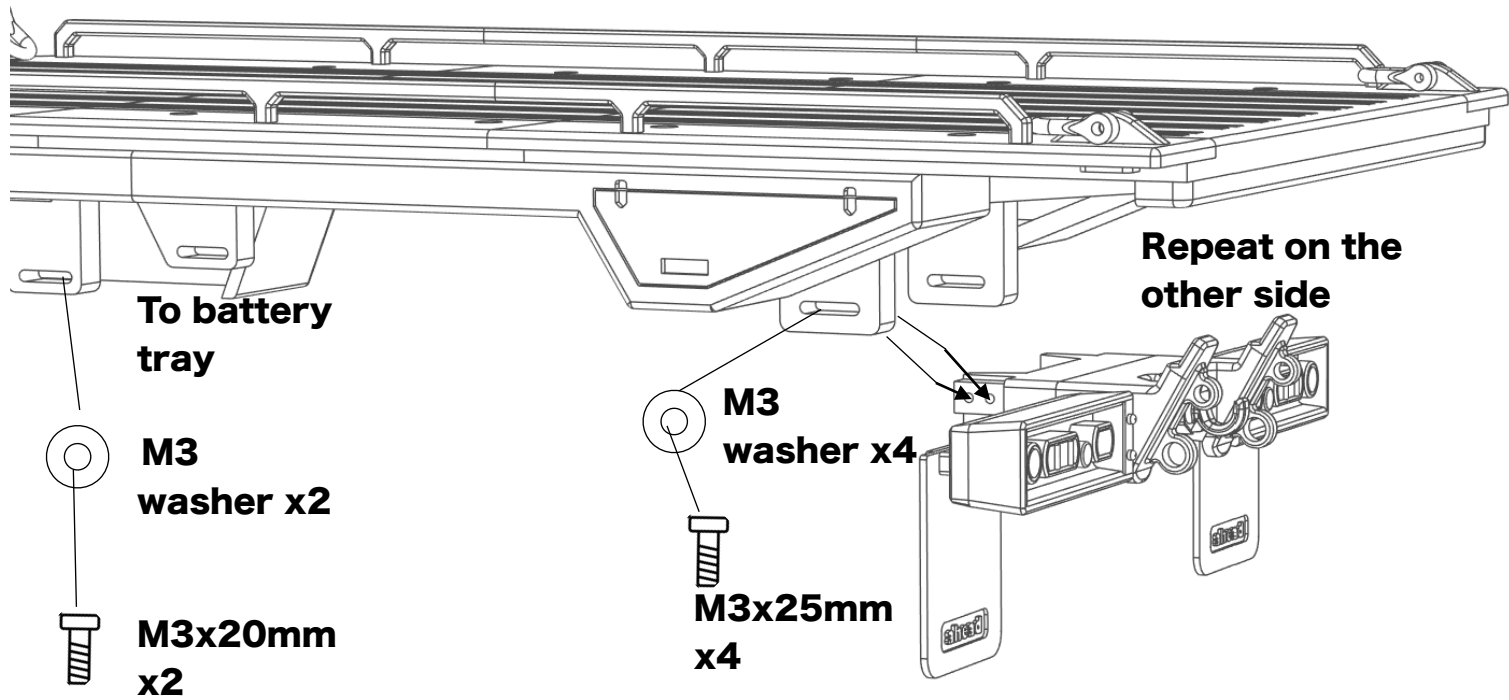
Installing the mounts



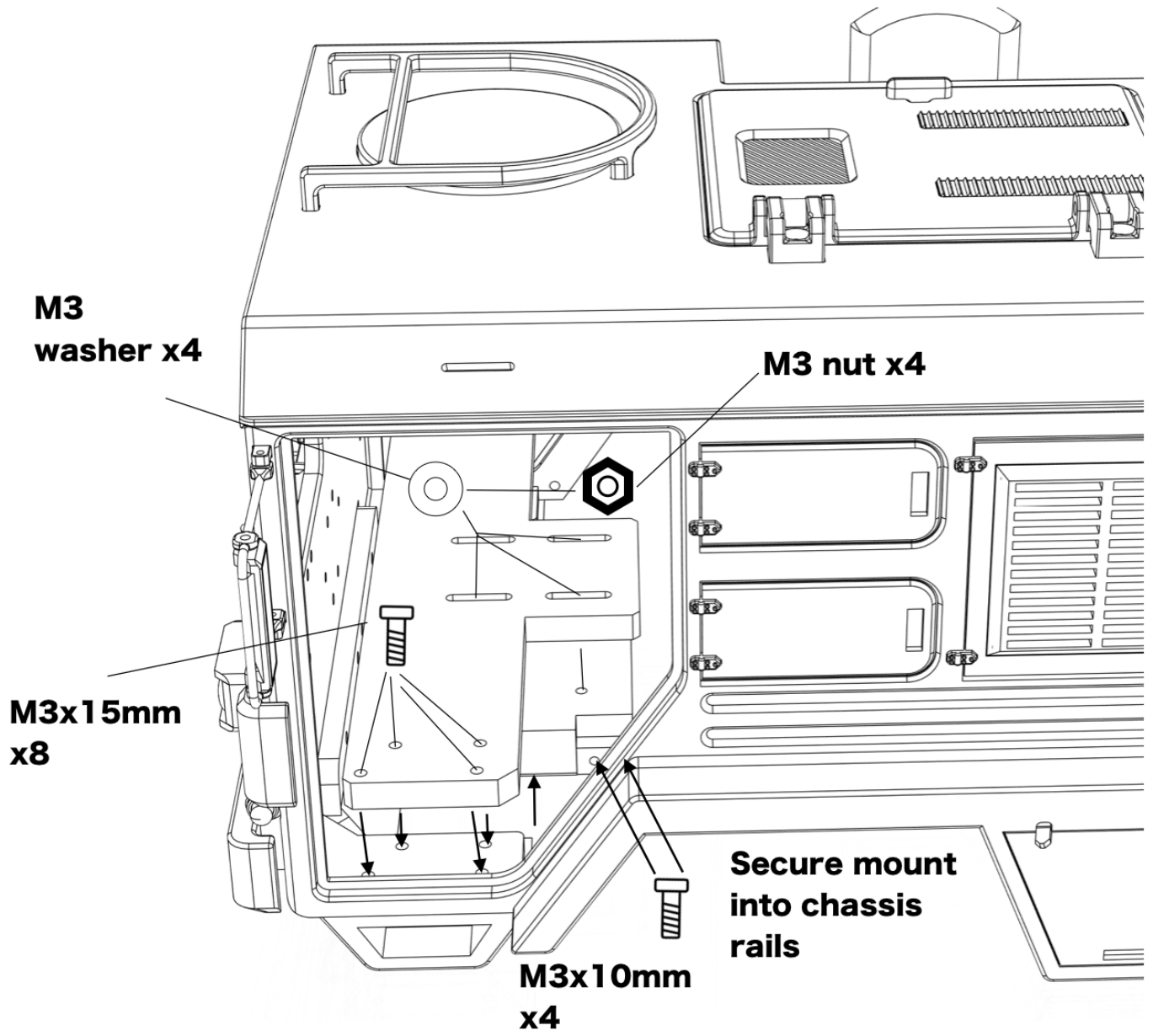
Assembling the bumper and mudflaps

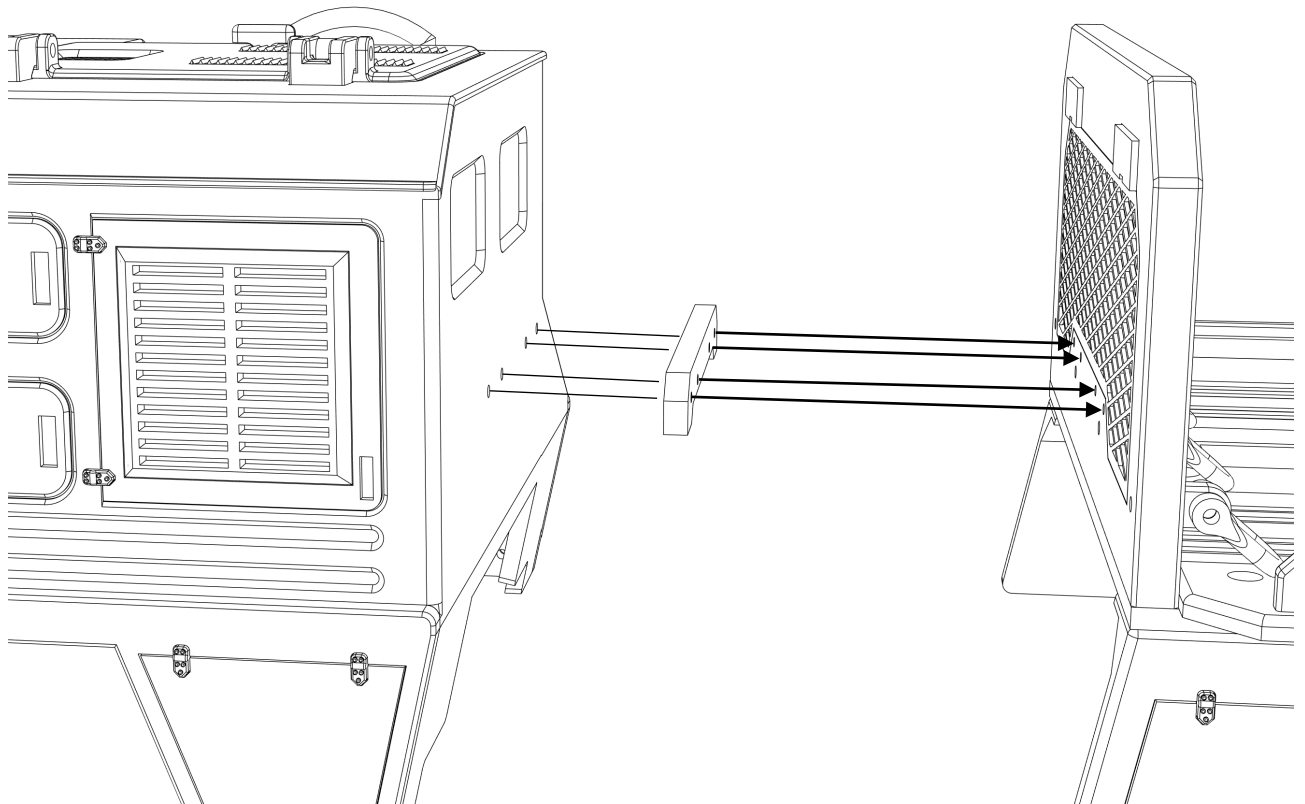
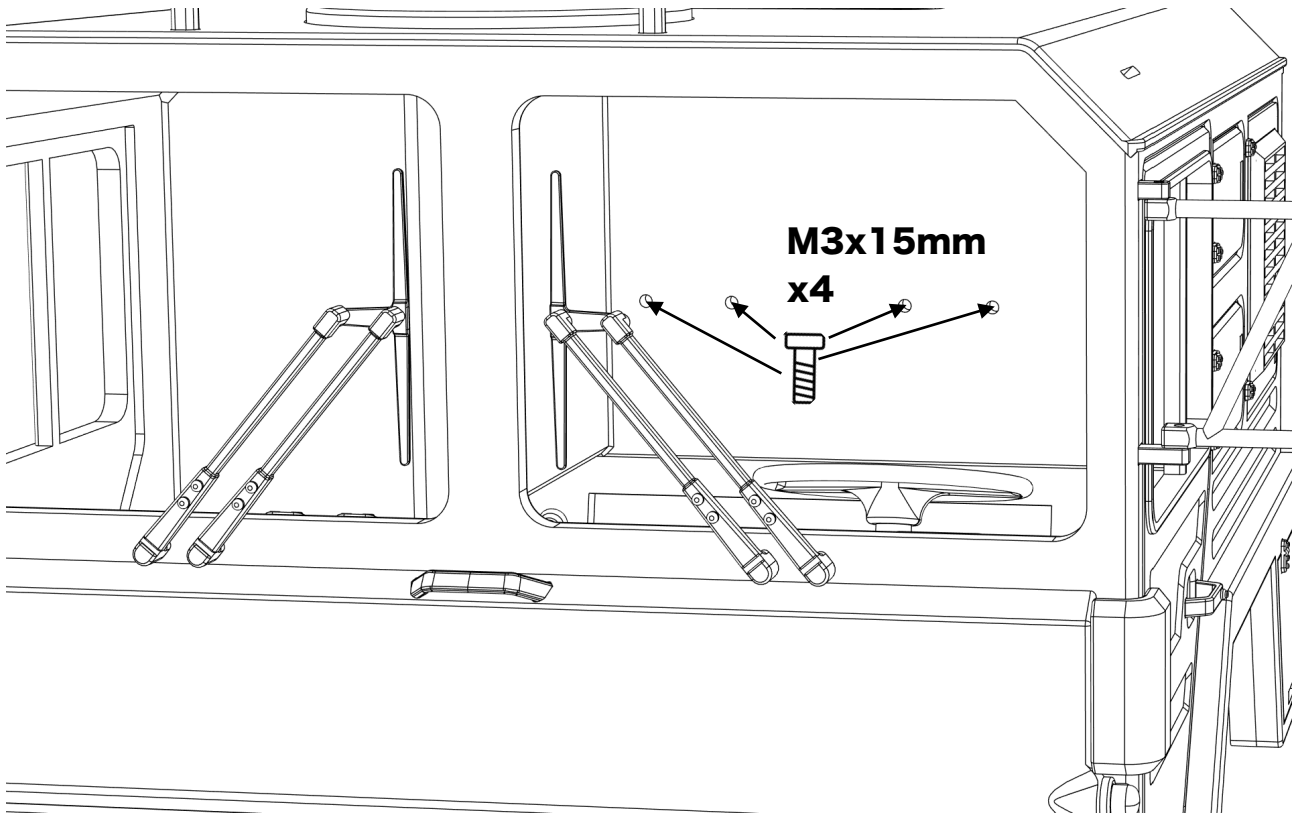


Mounting the bed, bumper and details

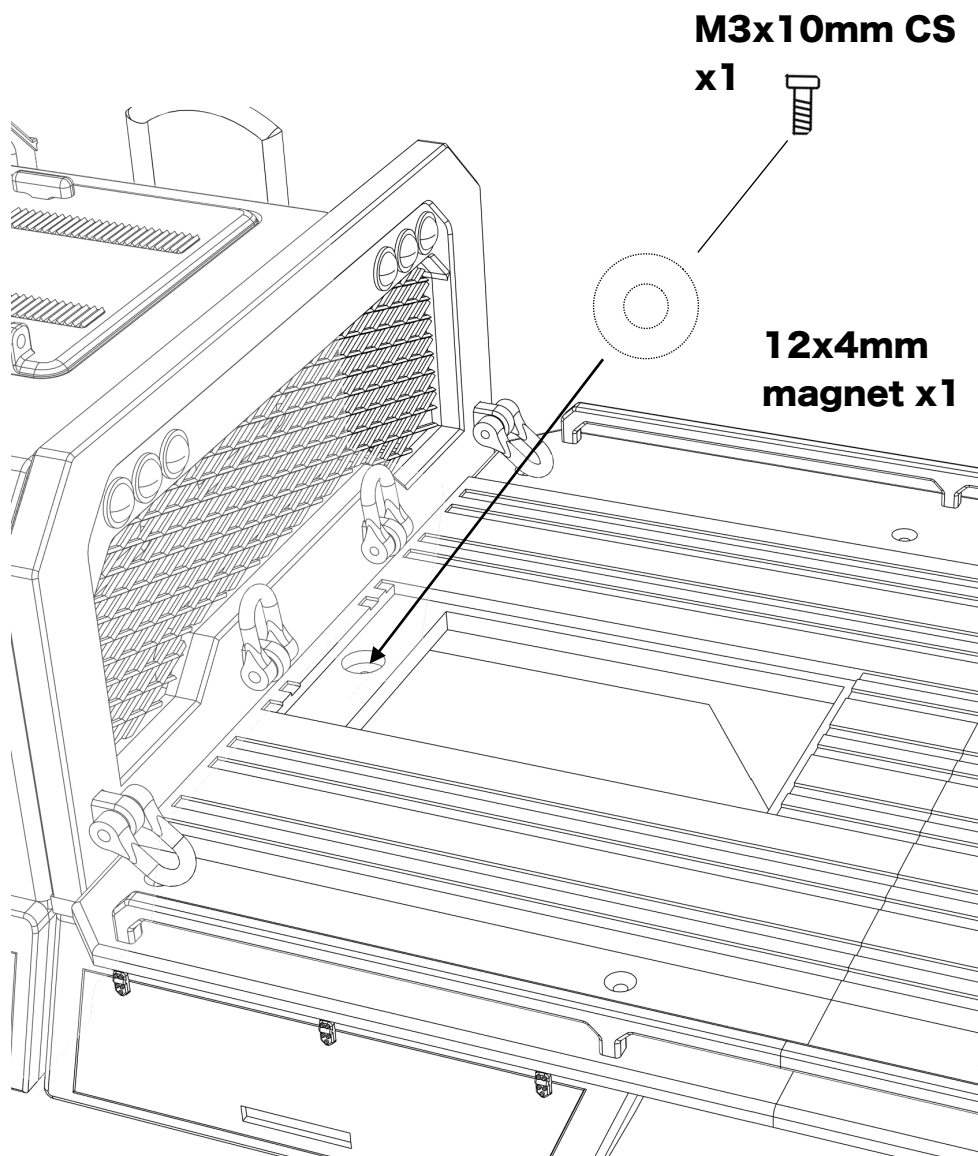
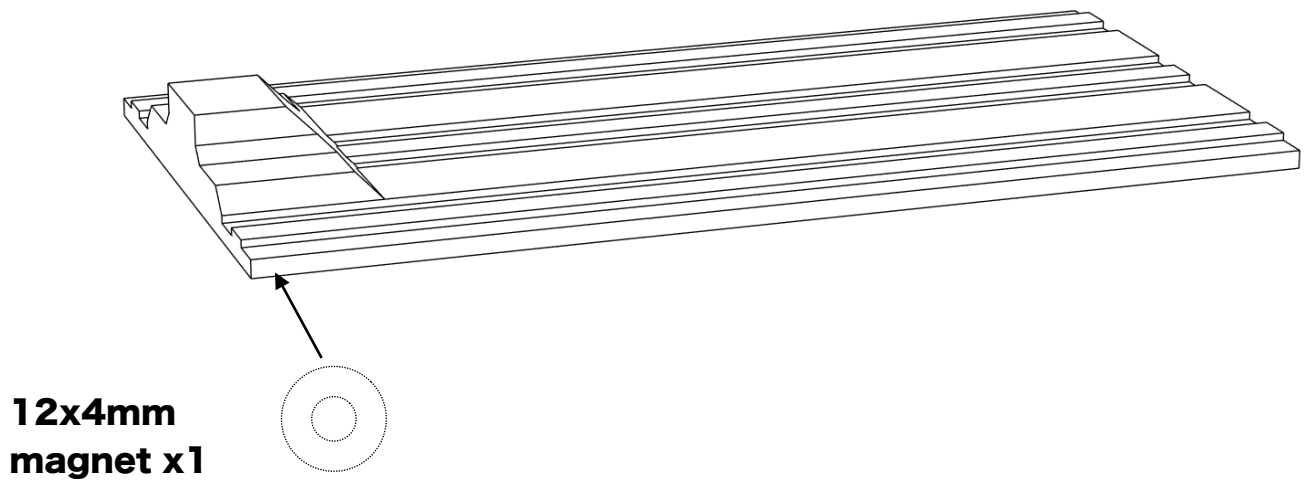


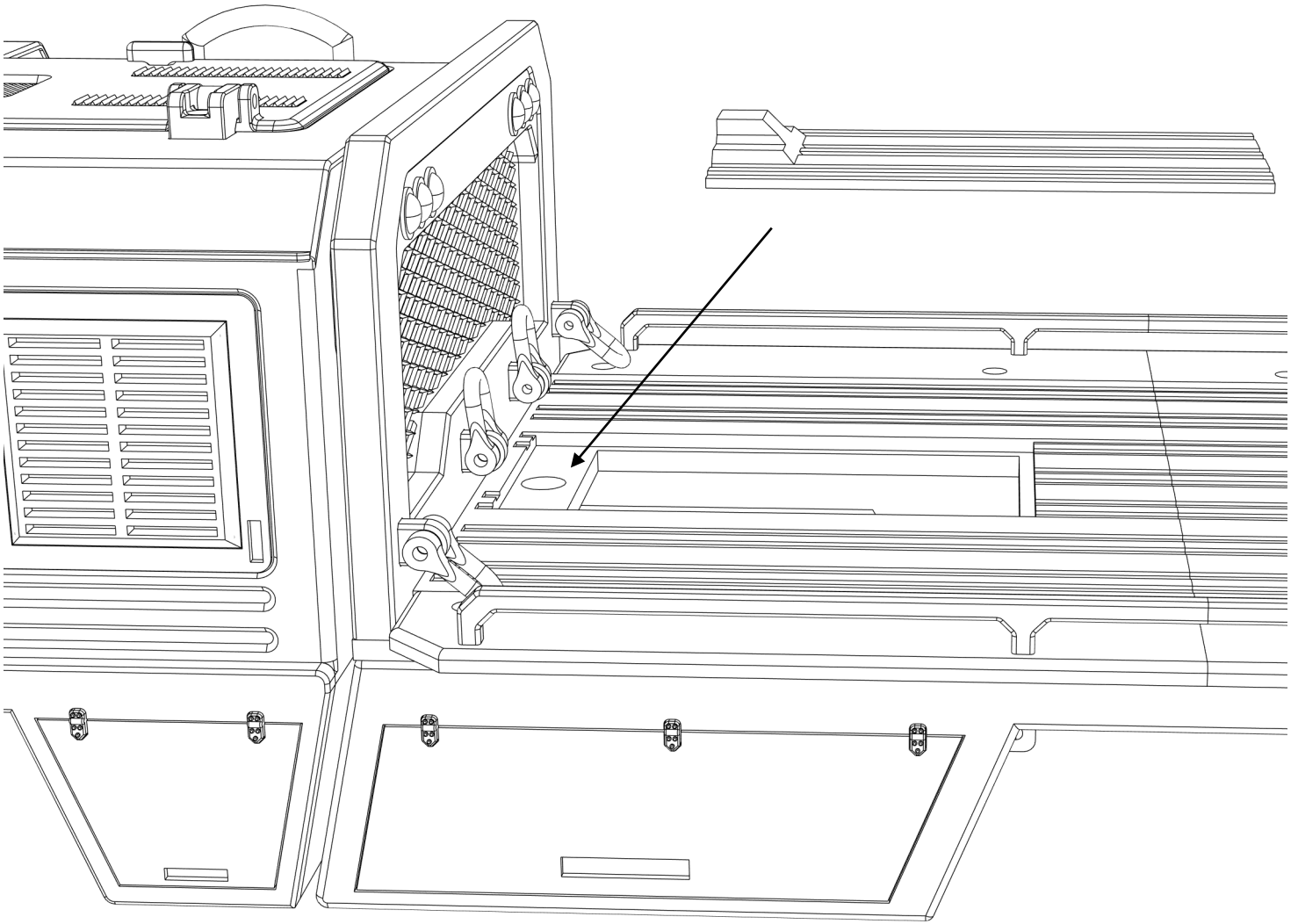
Mounting the cab to the tow bed

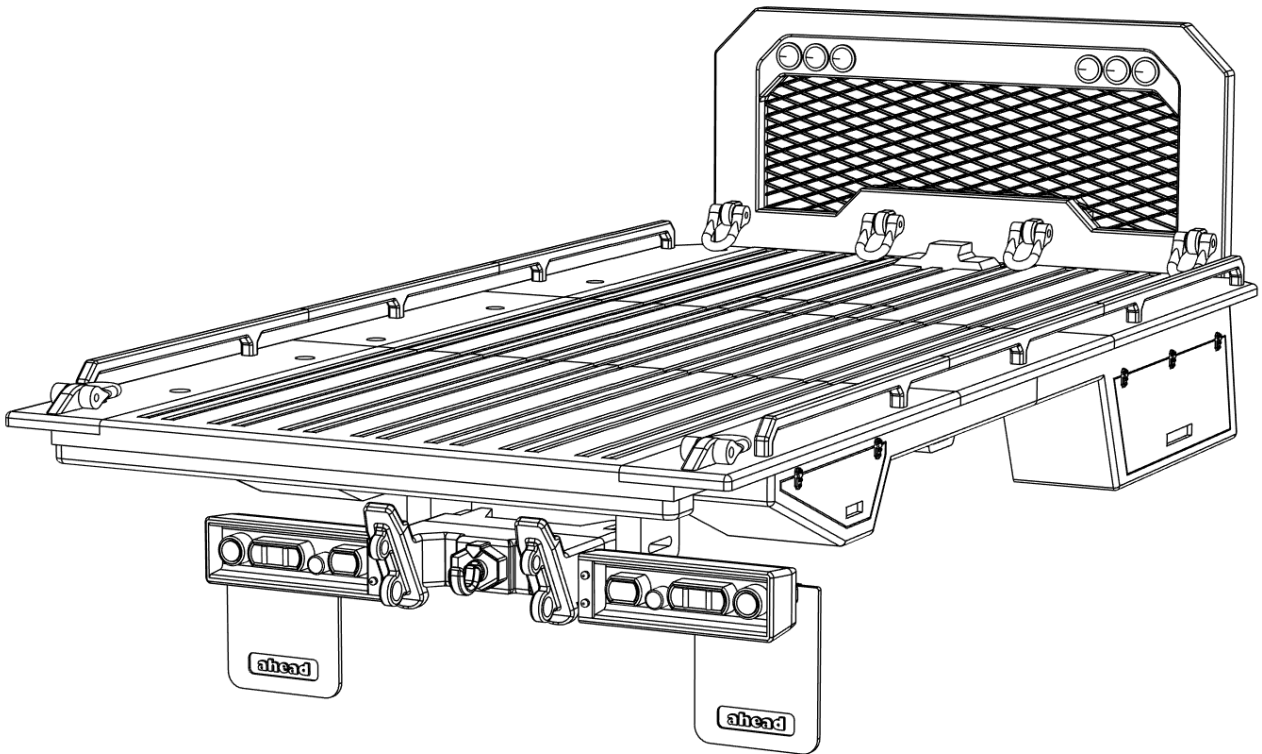




Assembling and mounting the battery access hatch







Body is now fully complete. Thank you for selecting ahead RC products.

If you have any questions or need help with the assembly, please do not hesitate to contact us at:

aheadrc@gmail.com

or visit us at:

www.aheadrc.com

Best of luck with your build!