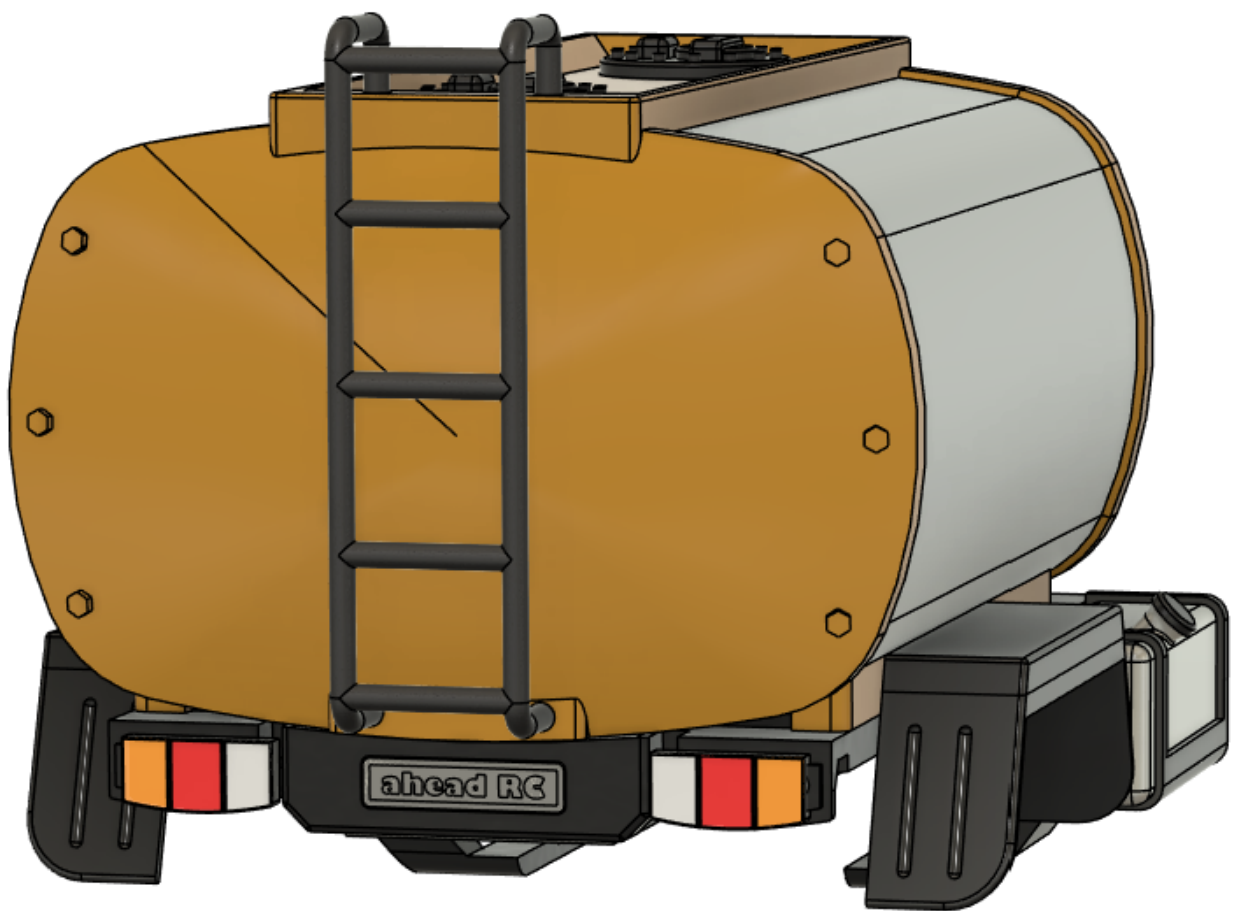


ahead RC Crawler Baby Bog 406 Fuel Carrier TRX4M Assembly Manual



Required tools and hardware

Tools

- 1.5mm Hex Driver
- 2.0mm Hex Driver
- 2.5mm Hex Driver
- Needle Nosed Pliers
- Instant Glue
- Hot Glue

Electronics

- 3mm Red LED x2
- 3mm Orange LED x2
- 3mm White LED x2

Hardware

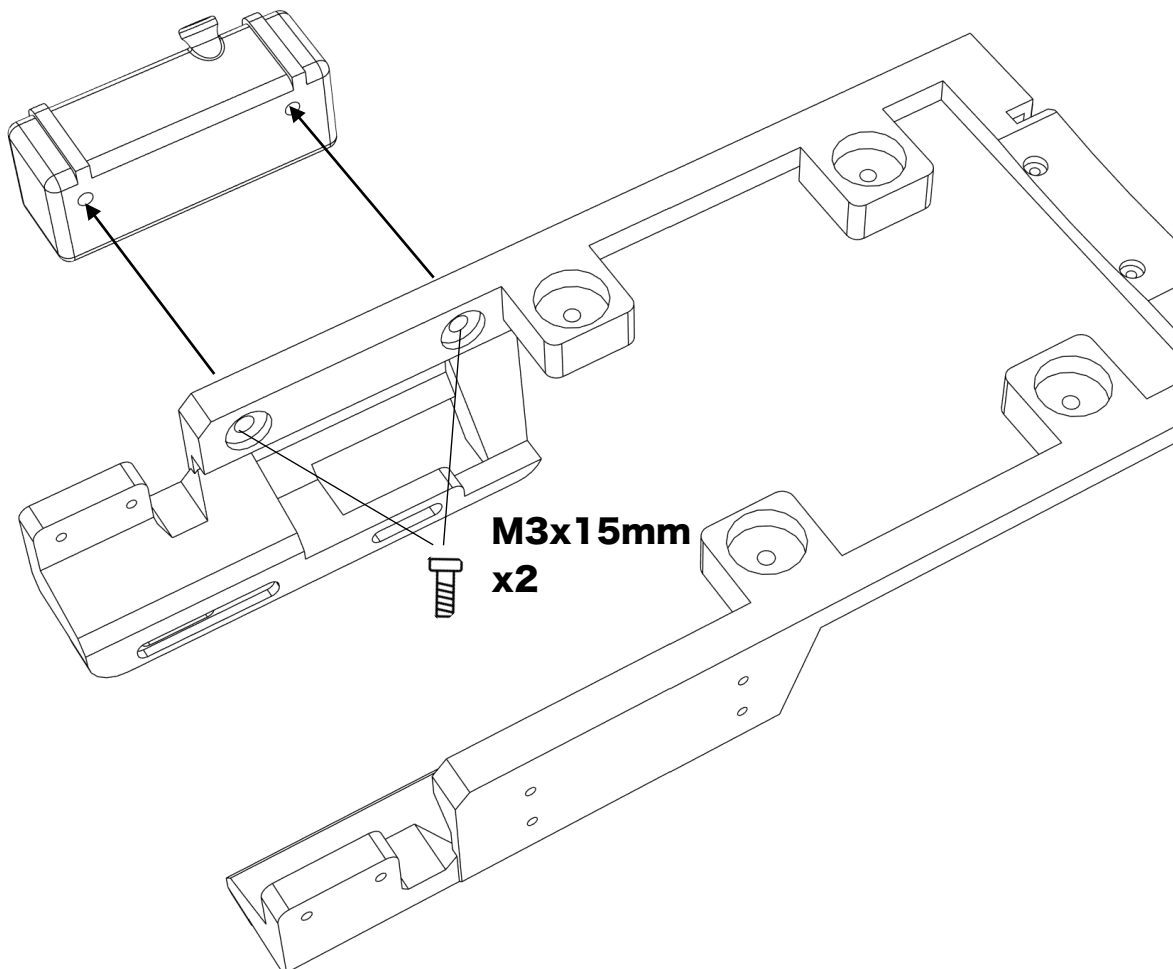
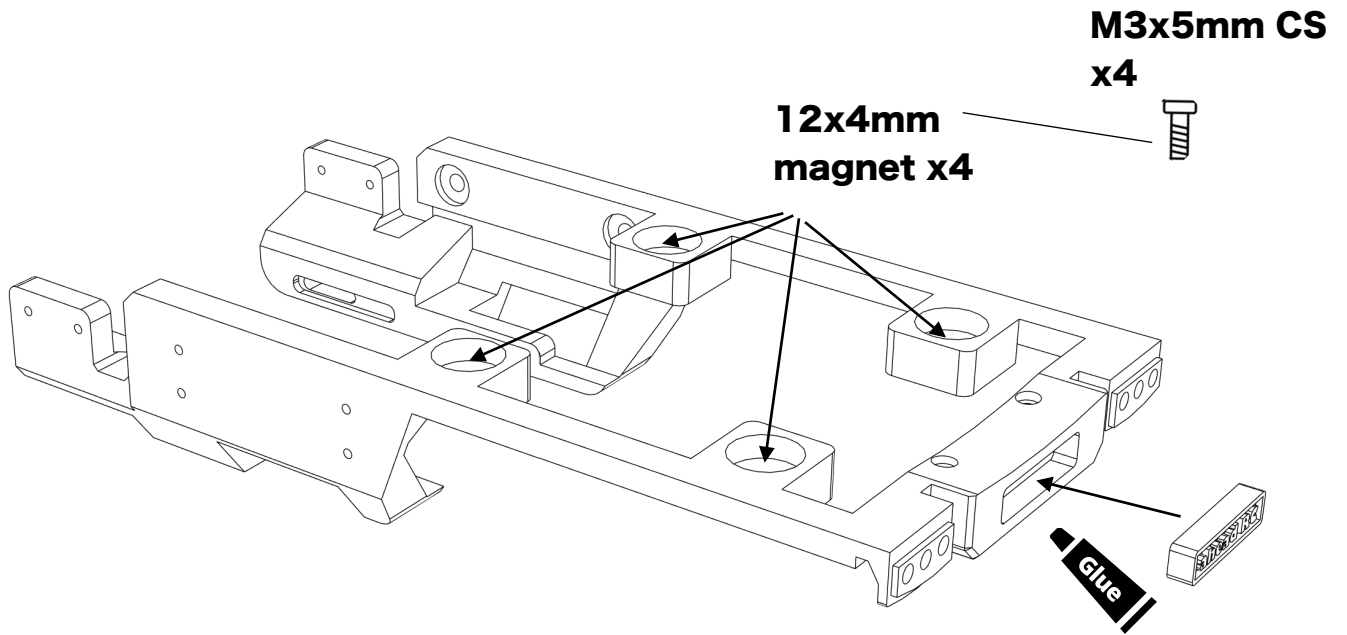
Hardware	Quantity	Check ✓
M2*5 Socket head	2	
M2*8 Socket head	2	
M2*10 Socket head	6	
2.5*20 Socket head	4	
M3*5 Countersunk (CS)	12	
M3*15 Socket head	2	
M2.5 Washer	4	
12x4mm magnet (with countersunk hole)	8	

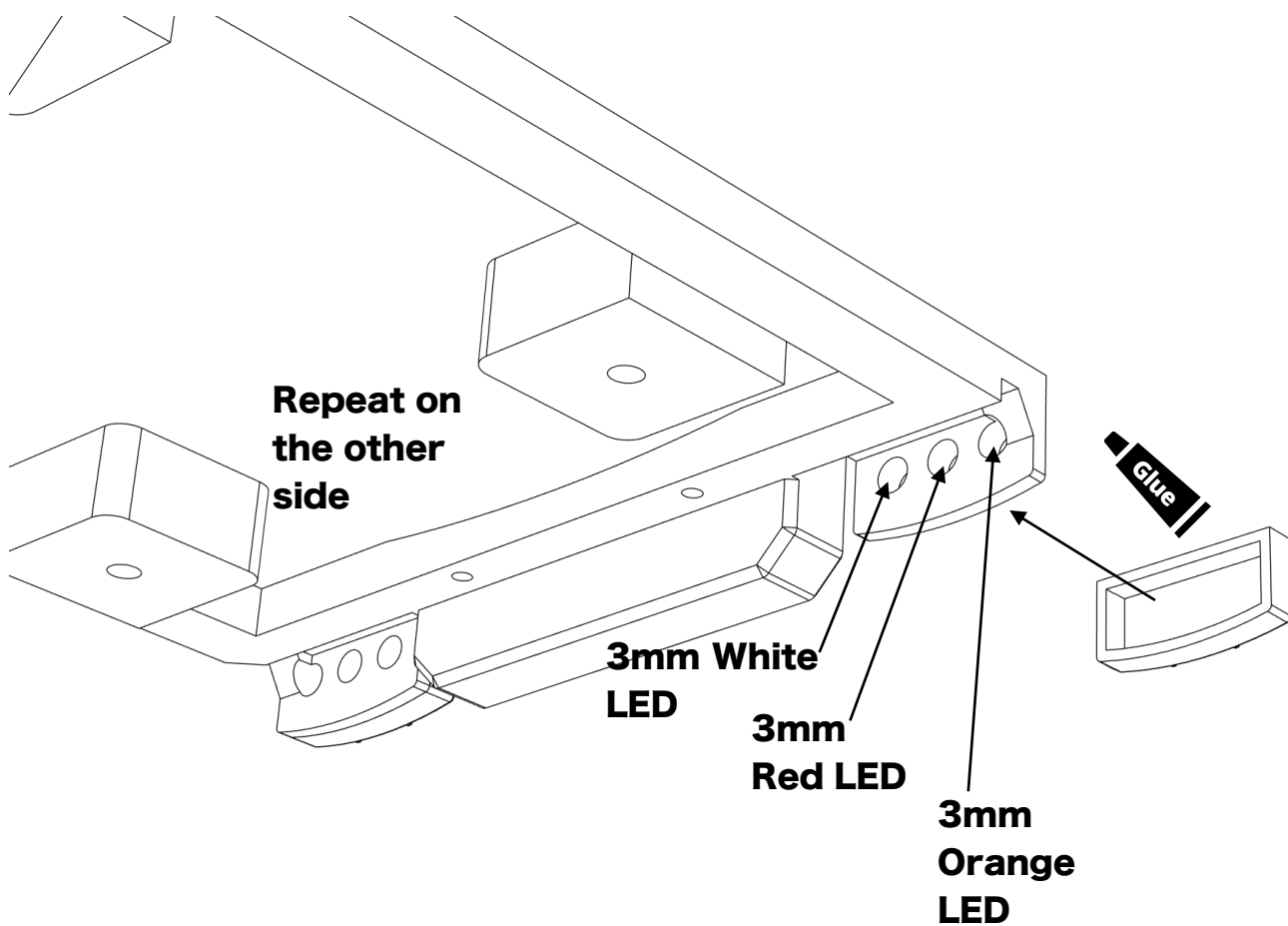
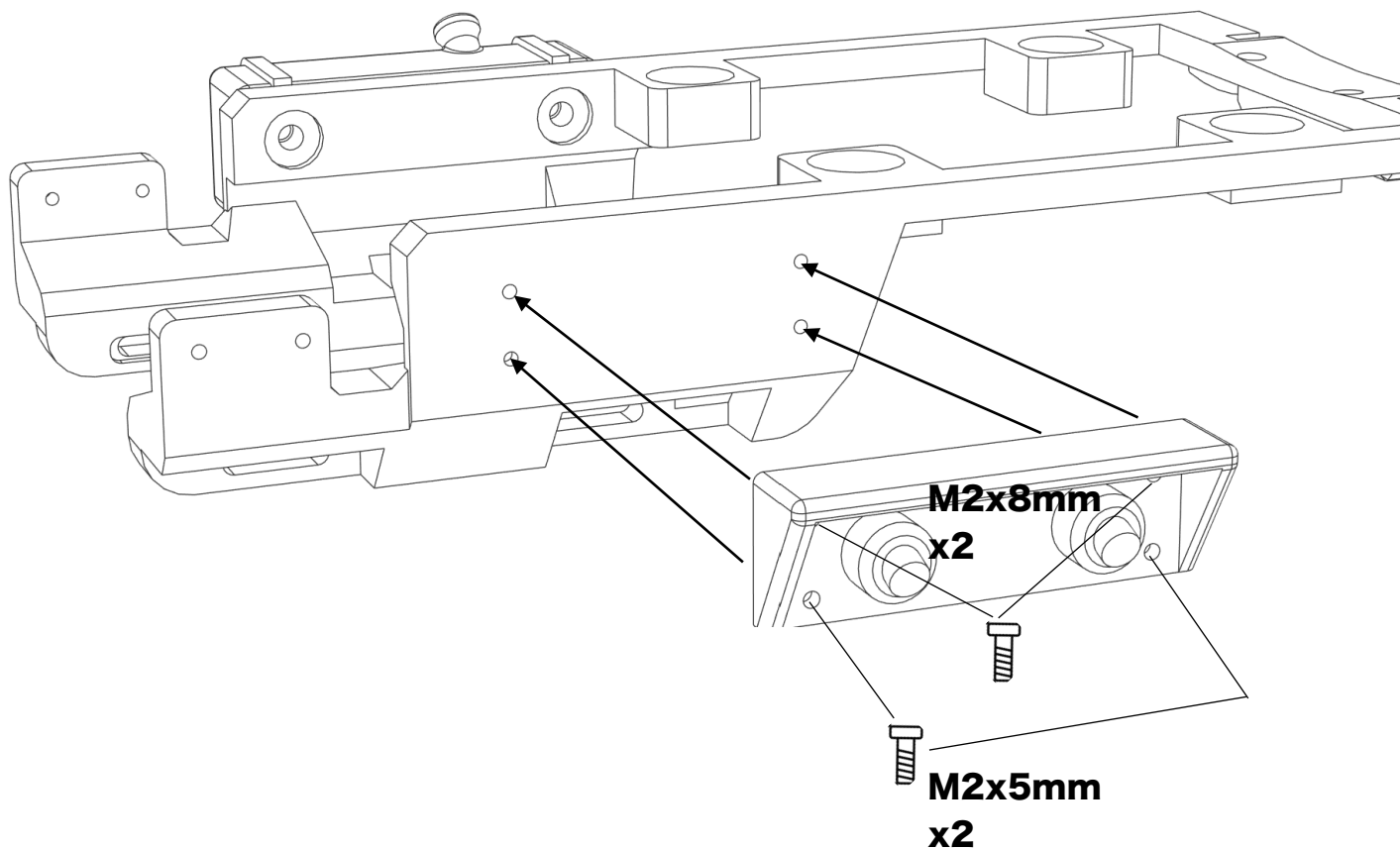
Before you begin

- Be sure to read through the manual and familiarise yourself with the instructions
- Visualise a plan to assemble all the pieces
- Make sure you have all of the hardware and tools
- Be sure to have enough instant glue
- Dry fit all parts before painting and assembling

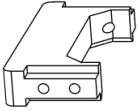
Tip: It will help to paint all of the parts before final assembly

Assembling the cab and fuel carrier mount



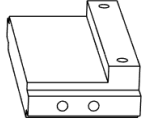


Mounting the chassis braces

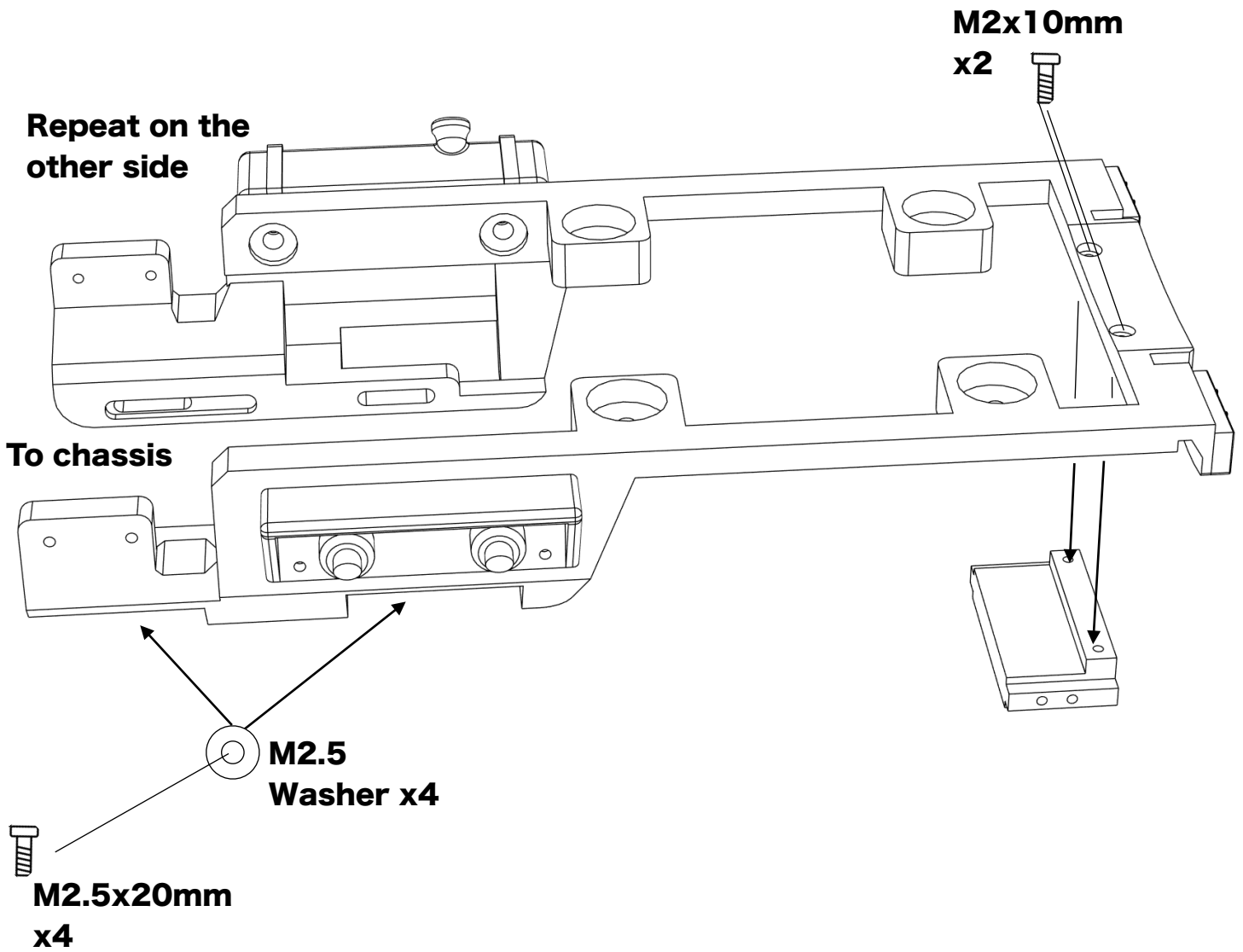


Replace stock
with front
chassis brace

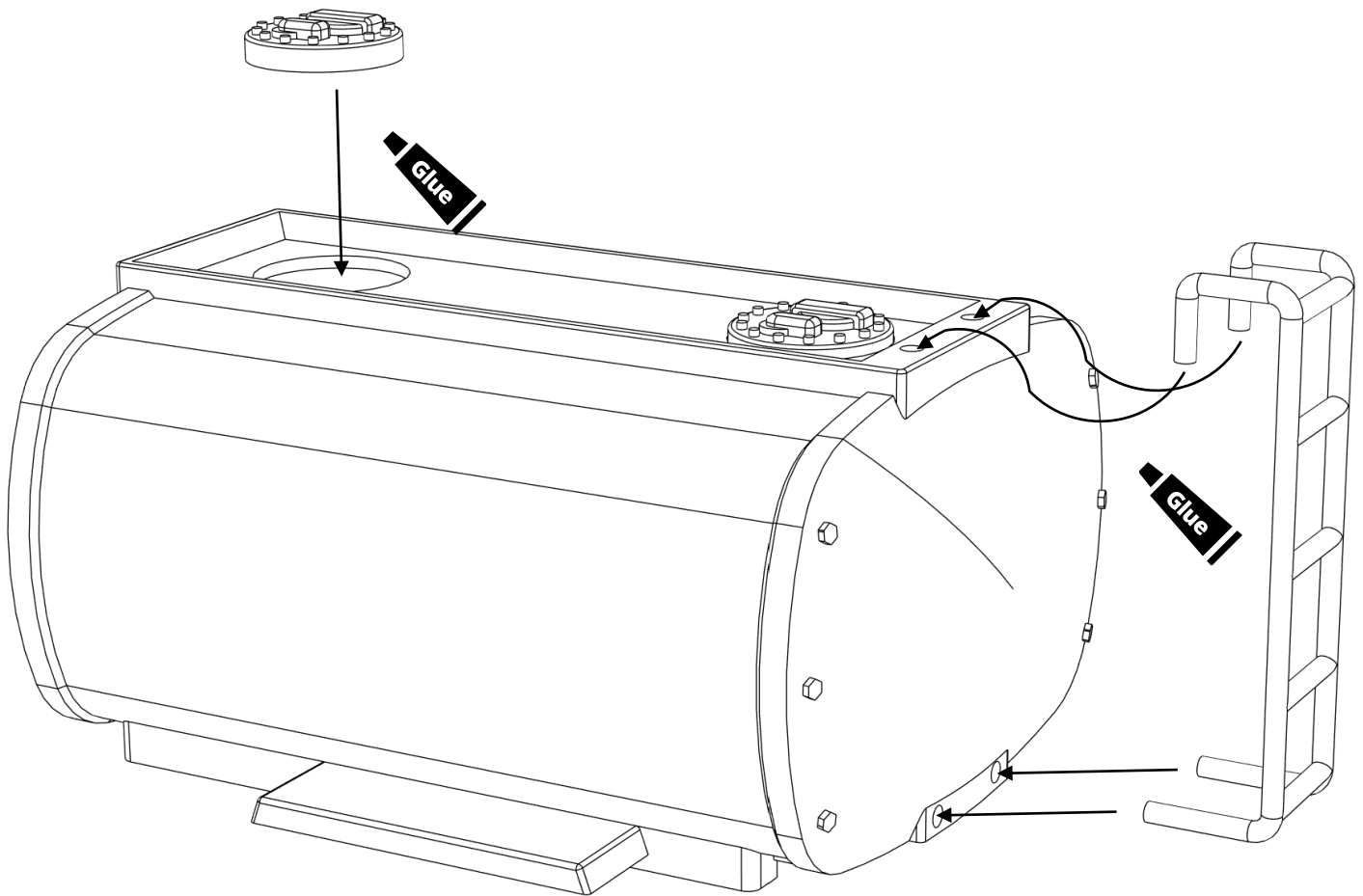
Use stock screws



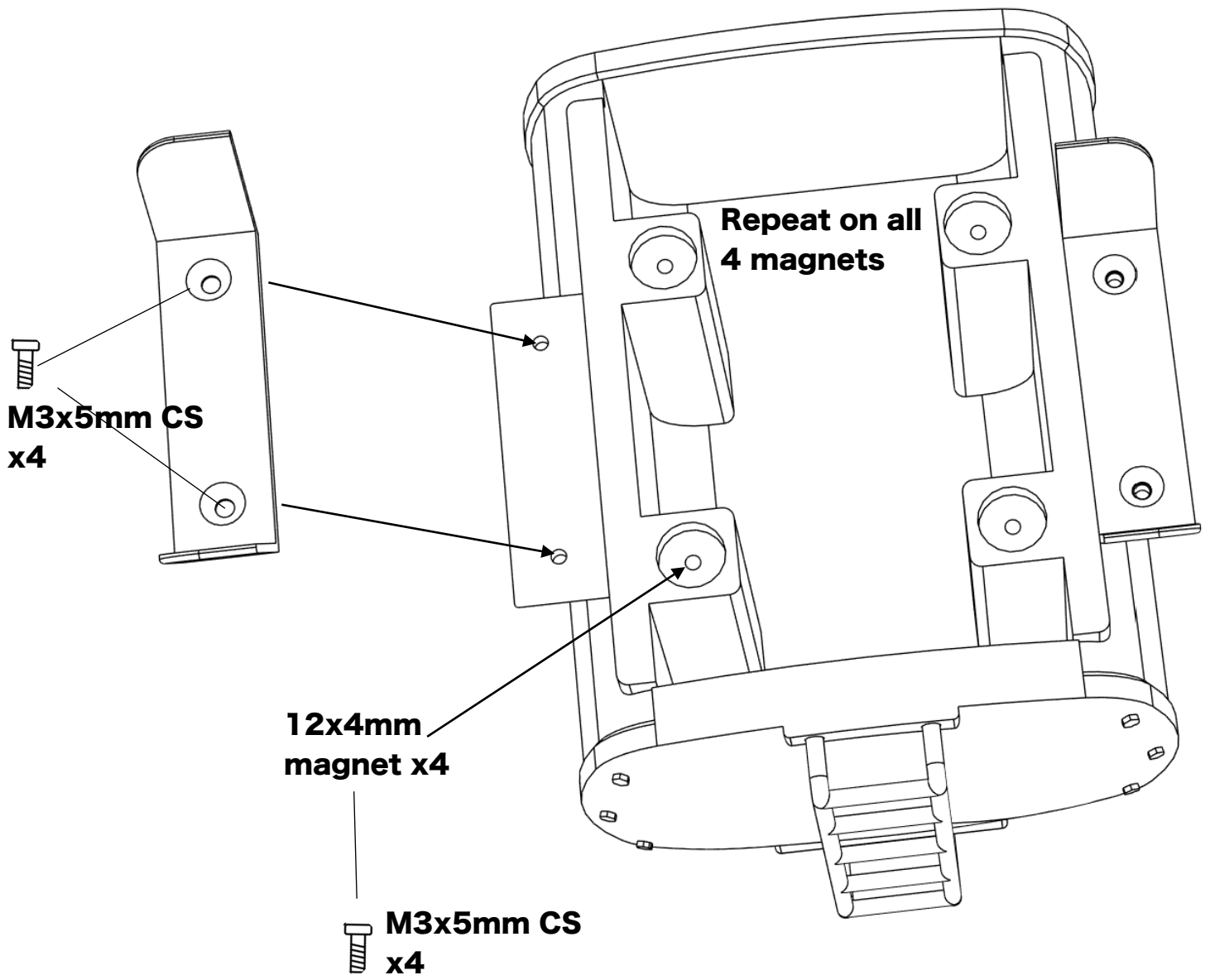
Replace stock
with rear
chassis brace



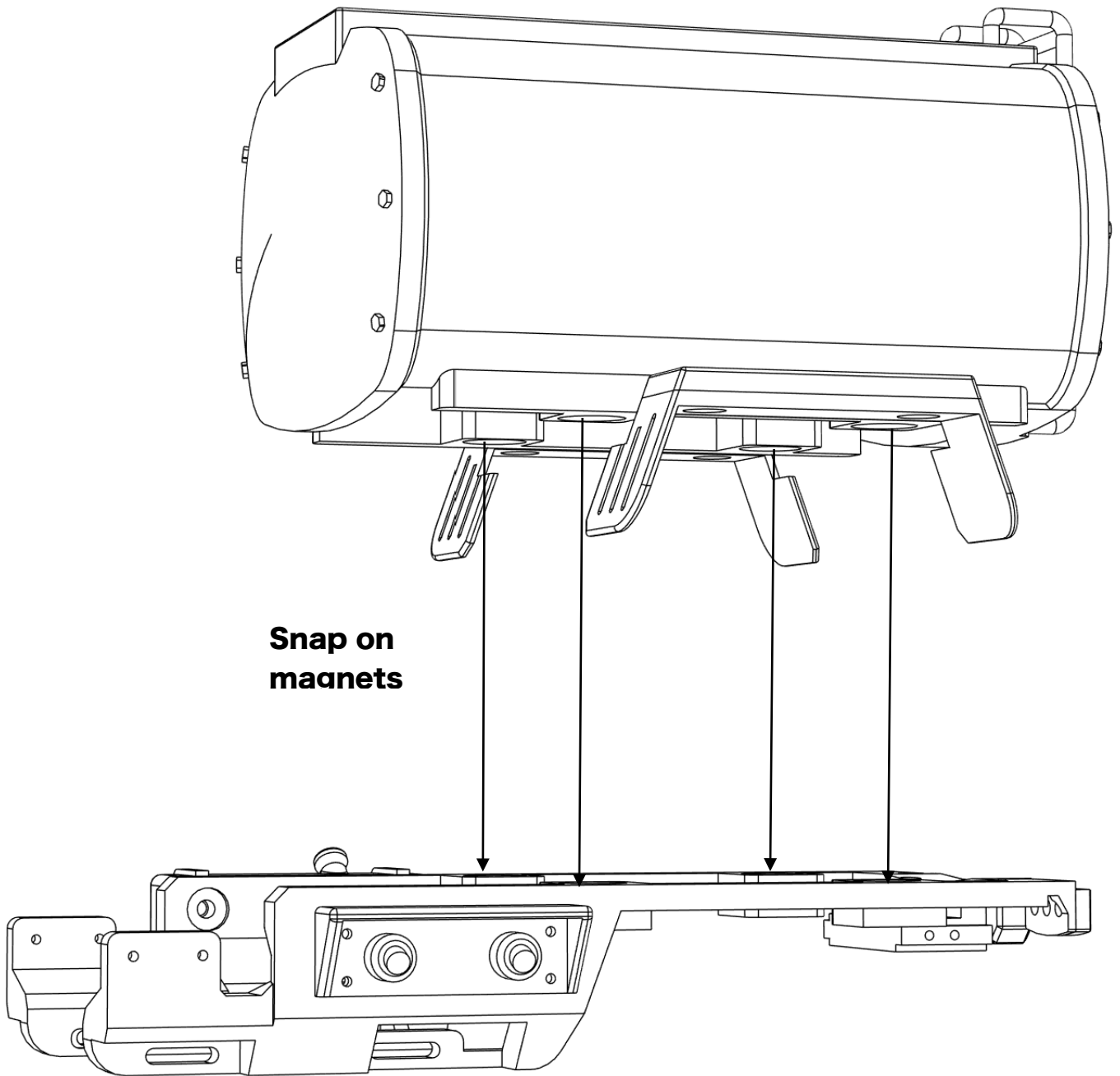
Assembling the fuel carrier



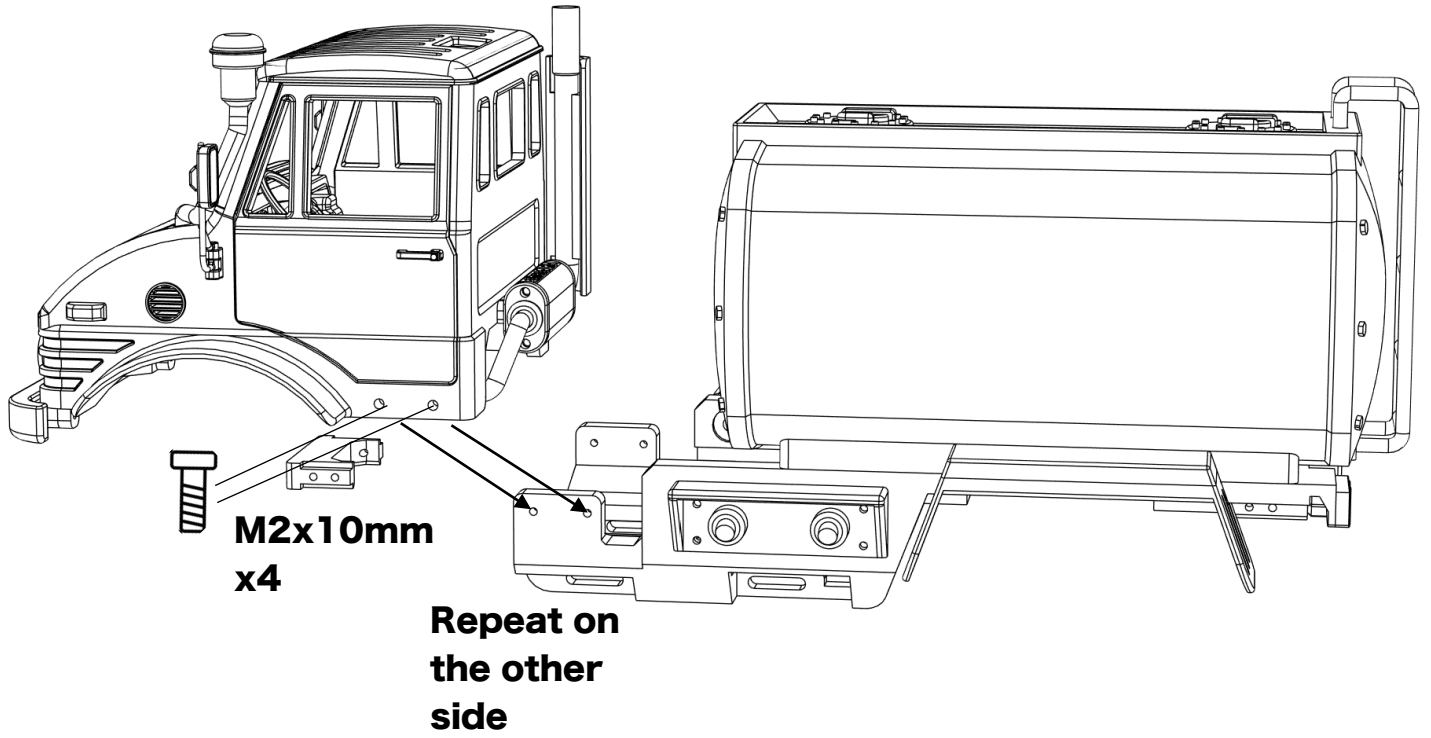
**Repeat on
the other
fender**

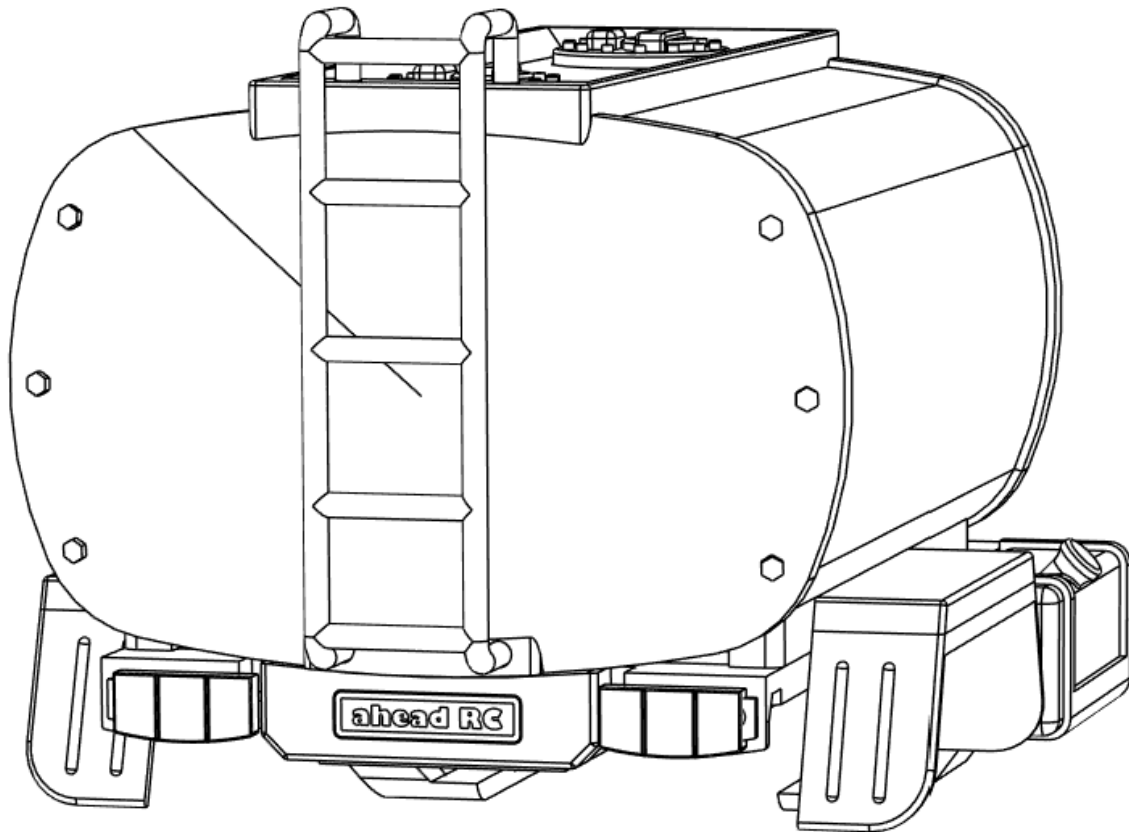


Assembling the fuel carrier



Mounting the front cab





Body is now fully complete. Thank you for selecting ahead RC products.

If you have any questions or need help with the assembly, please do not hesitate to contact us at:

aheadrc@gmail.com

or visit us at:

www.aheadrc.com

Best of luck with your build!