

ahead RC Crawler G90 4x4

Expedition Suite

Assembly Manual



Required tools and hardware

Tools

- 1.5mm Hex Driver
- 2.0mm Hex Driver
- 2.5mm Hex Driver
- Needle Nosed Pliers
- Instant Glue
- Hot Glue

Electronics

- 5mm White LED x2
- 5mm Orange LED x2
- 5mm Red LED x2
- 3mm Orange LED x4

Hardware

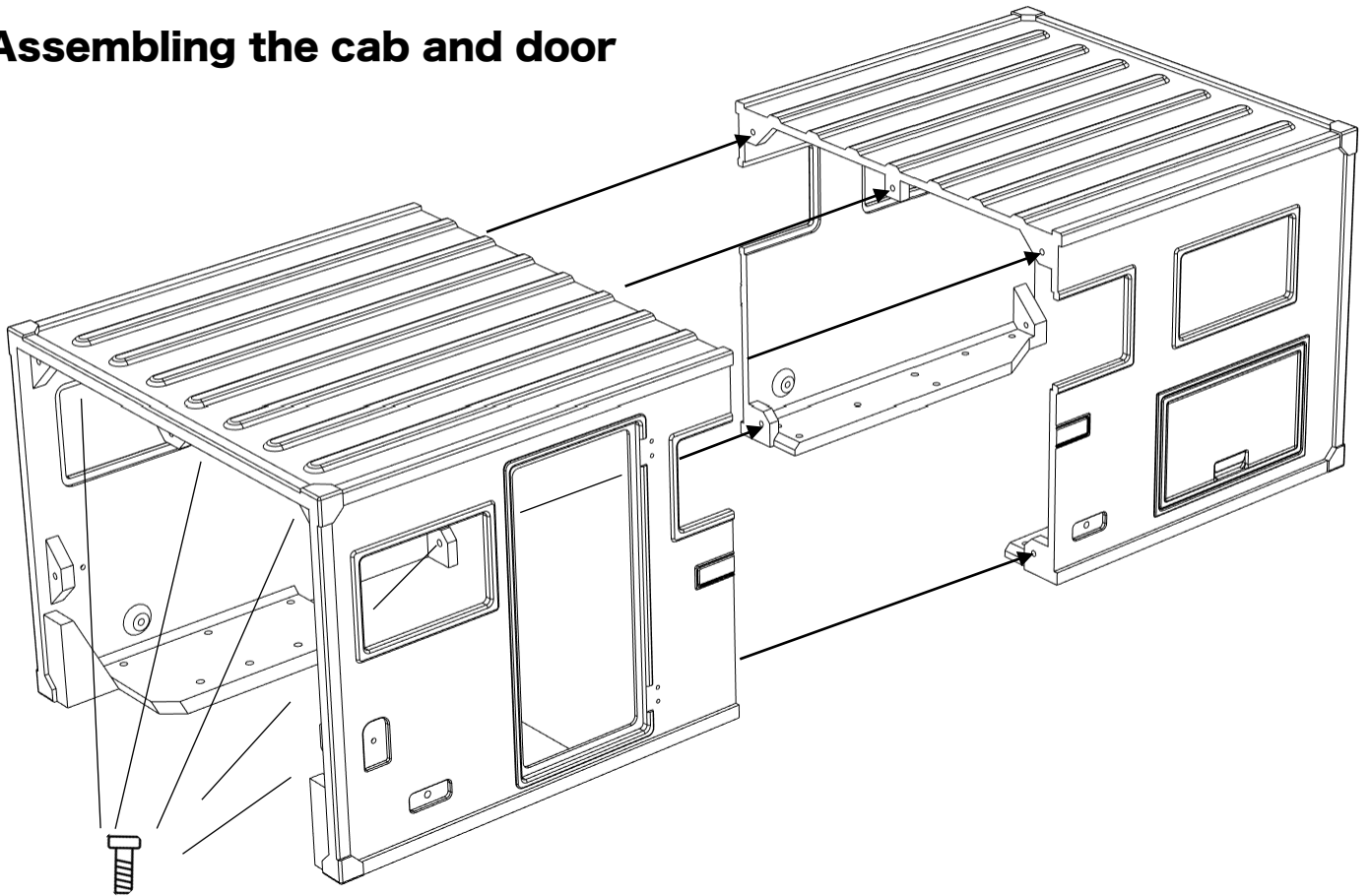
Hardware	Quantity	Check ✓
M2*5 Socket head	16	
M2*10 Socket head	8	
M2*12 Socket head	2	
M3*10 Socket head	20	
M3*15 Socket head	12	
M3*10 Countersunk (CS)	12	
M3*3 Grub screw (GS)	1	

Before you begin

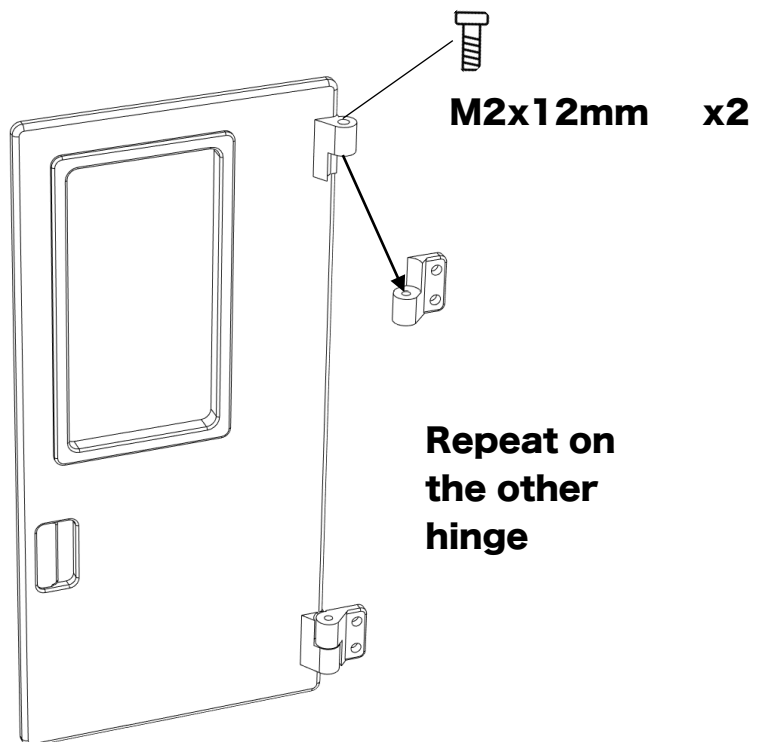
- Be sure to read through the manual and familiarise yourself with the instructions
- Visualise a plan to assemble all the pieces
- Make sure you have all of the hardware and tools
- Be sure to have enough instant glue
- Dry fit all parts before painting and assembling

Tip: It will help to paint all of the parts before final assembly

Assembling the cab and door



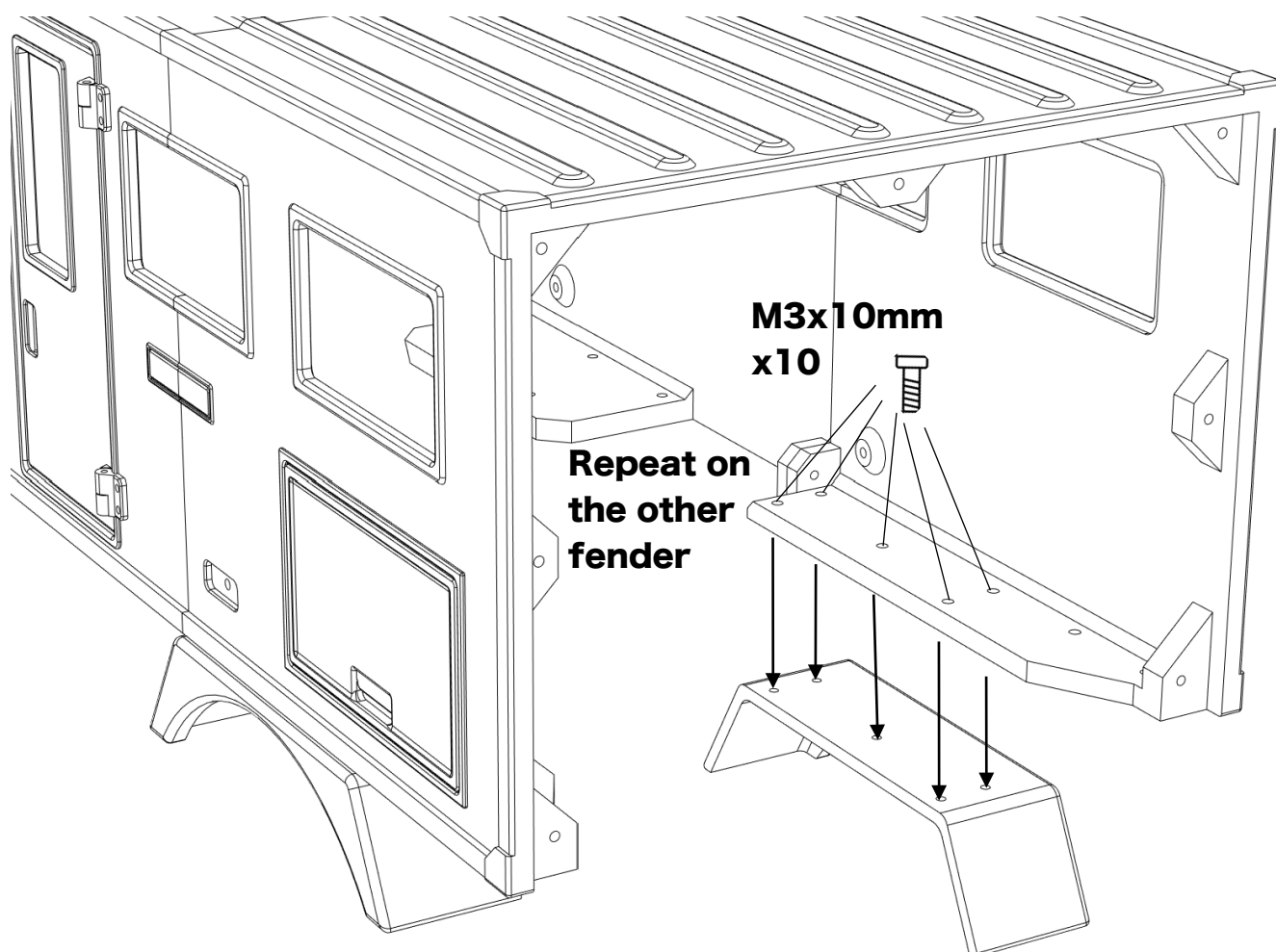
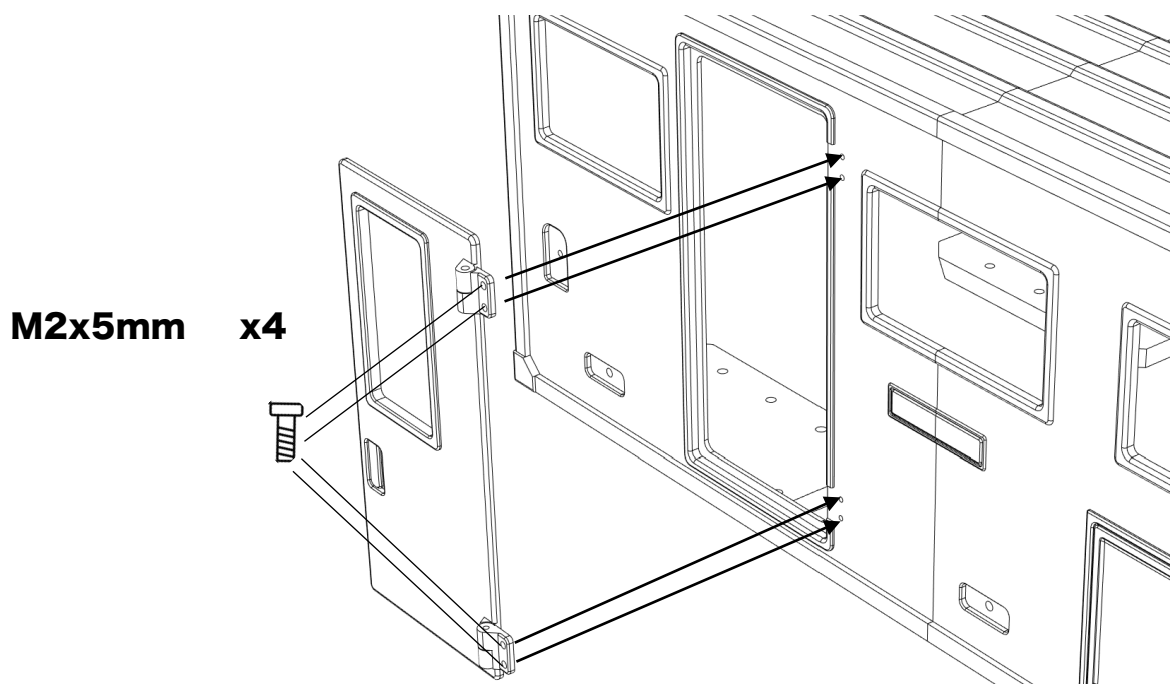
M3x10mm x5

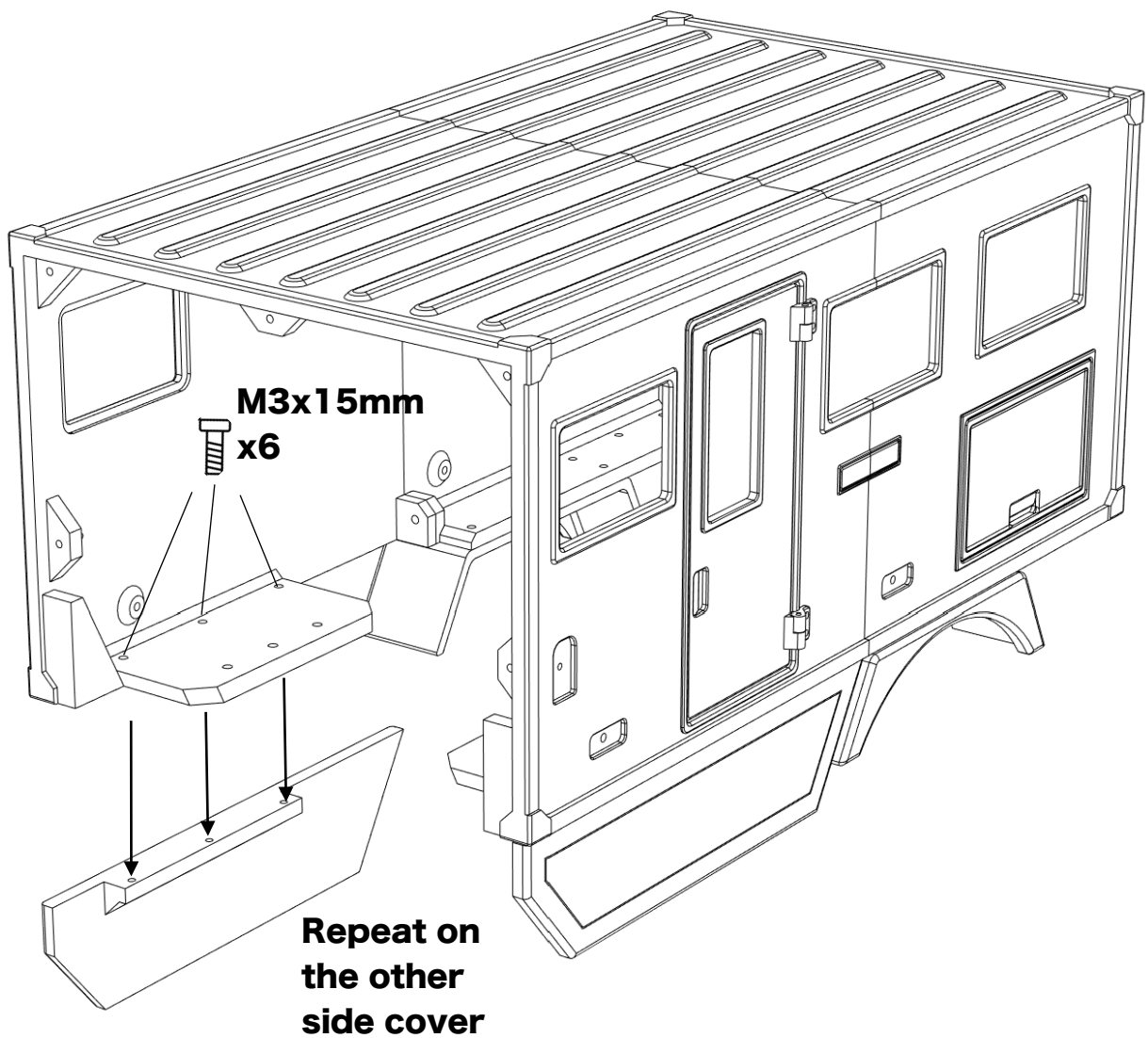


M2x12mm x2

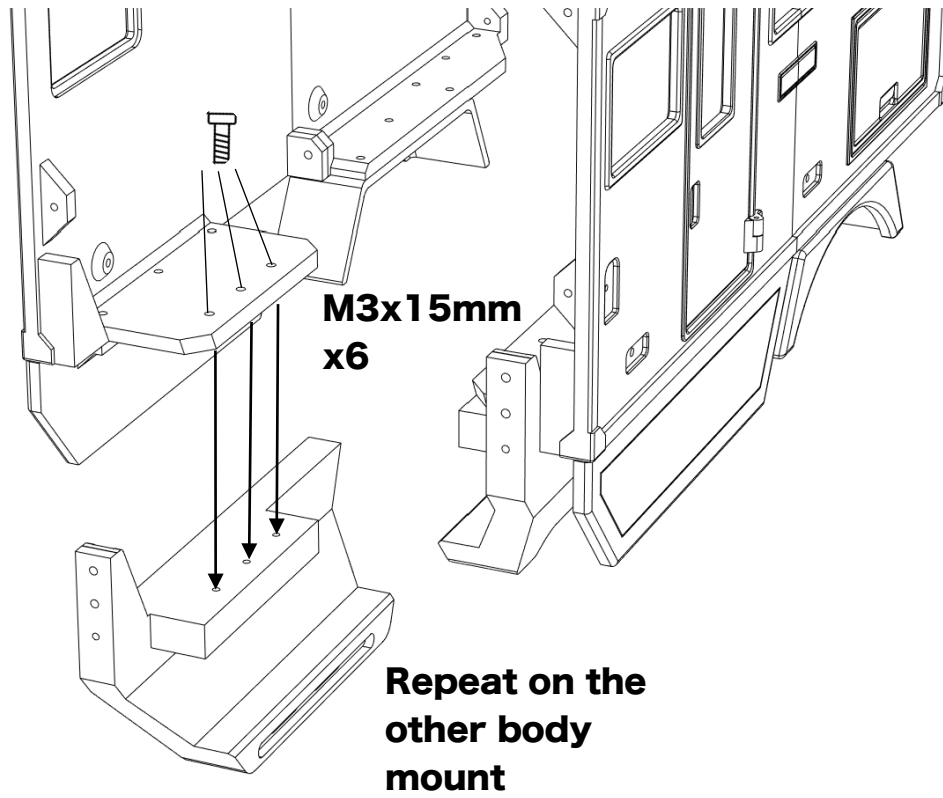
**Repeat on
the other
hinge**

Assembling the door and fenders

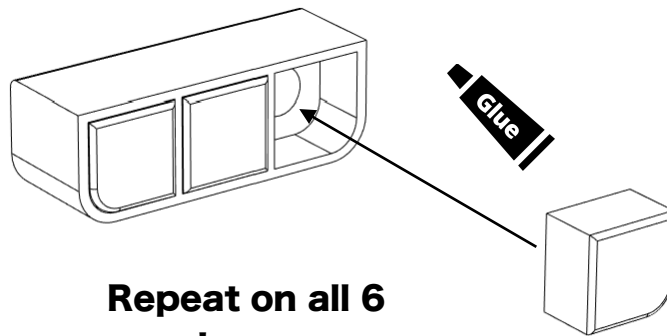




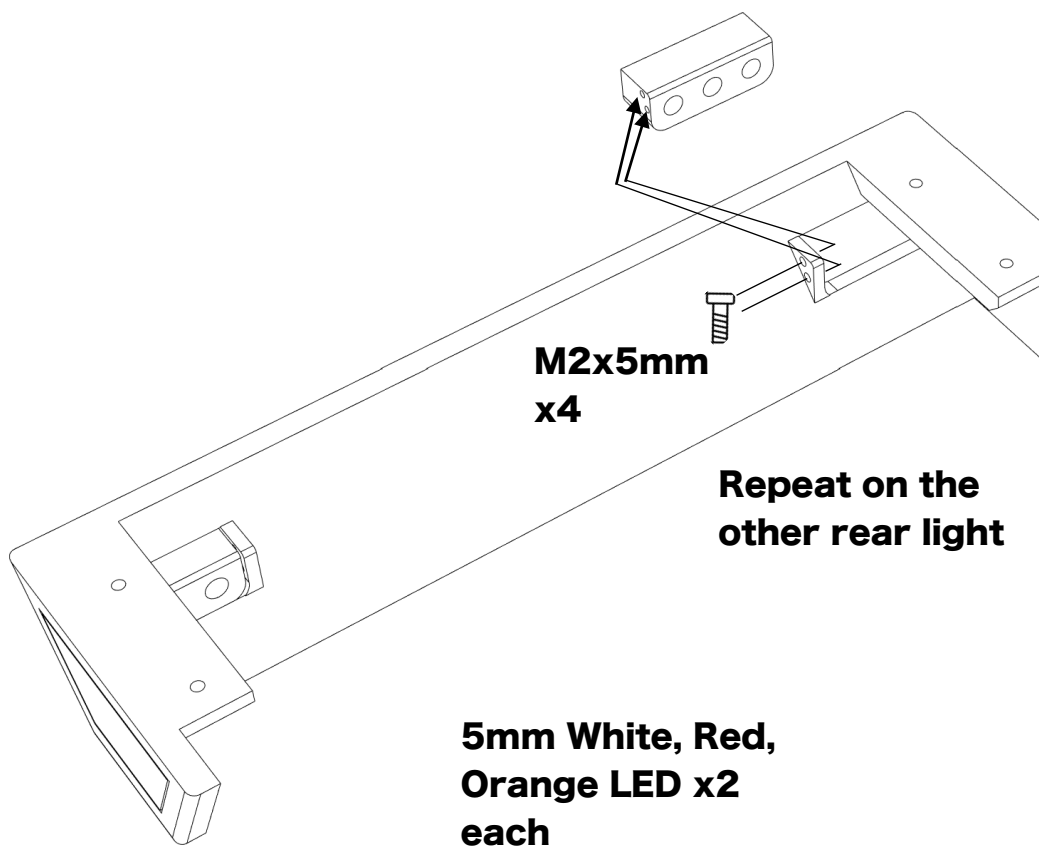
Assembling the body mounts

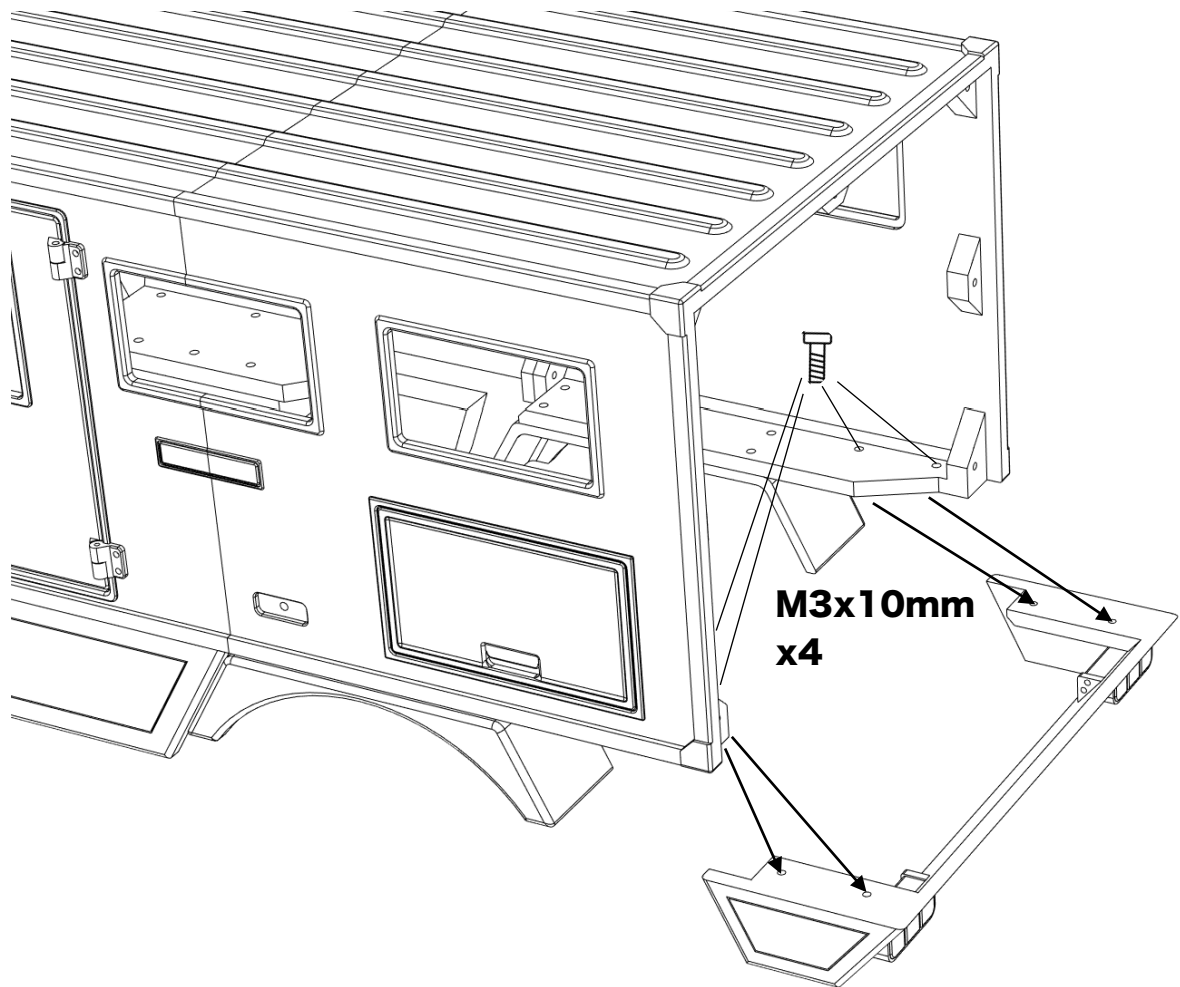


Installing the lights

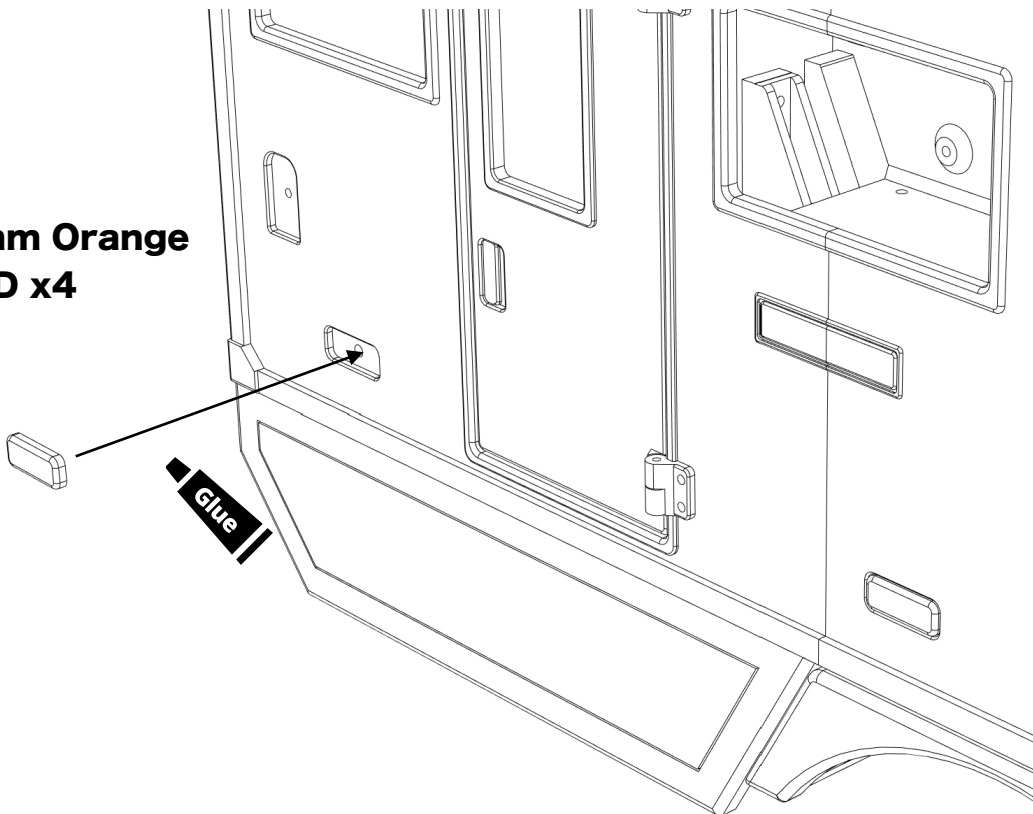


**Repeat on all 6
rear lenses**

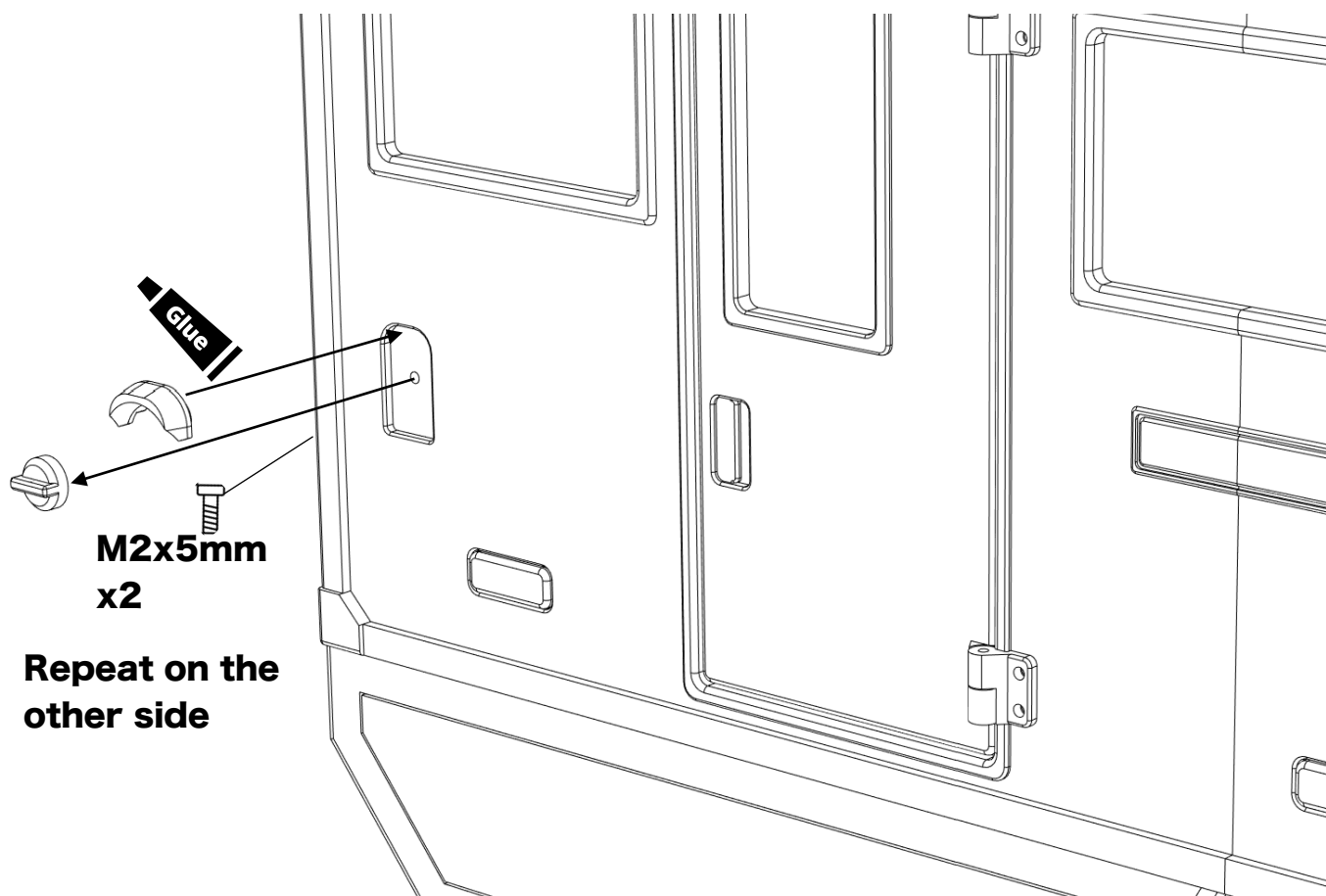


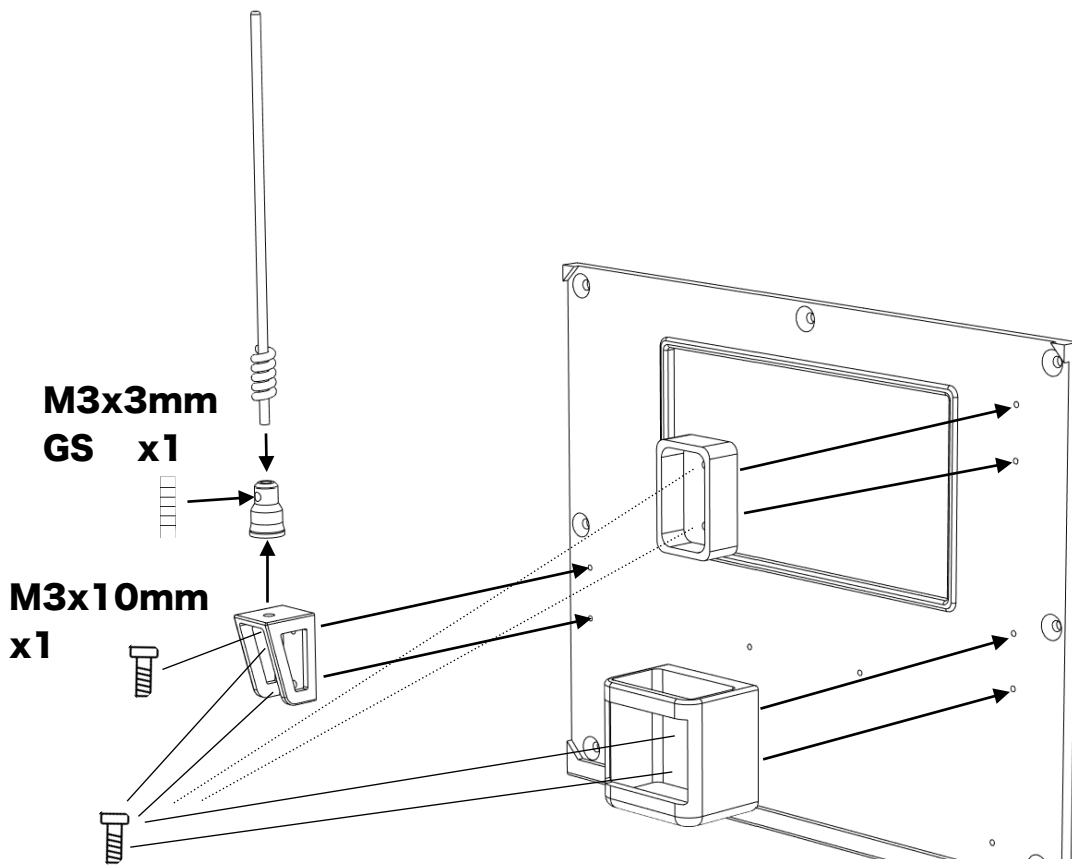


**3mm Orange
LED x4**

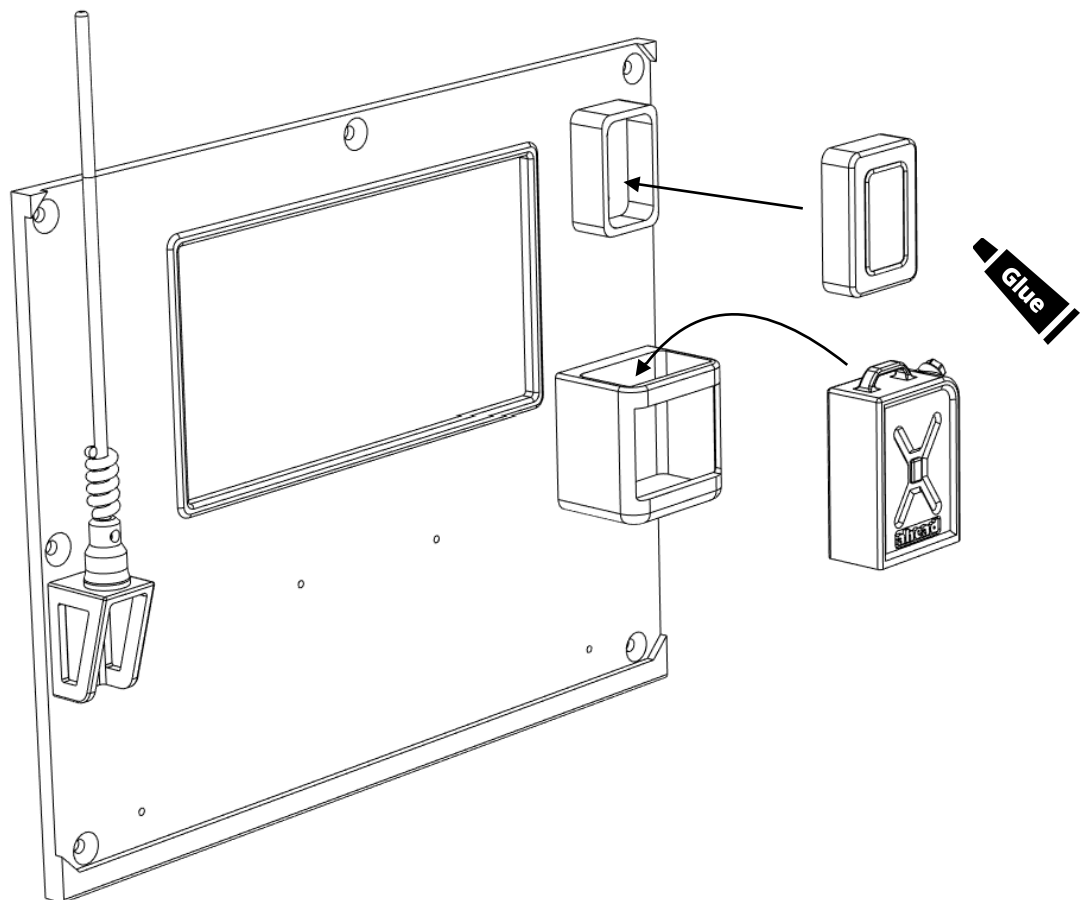


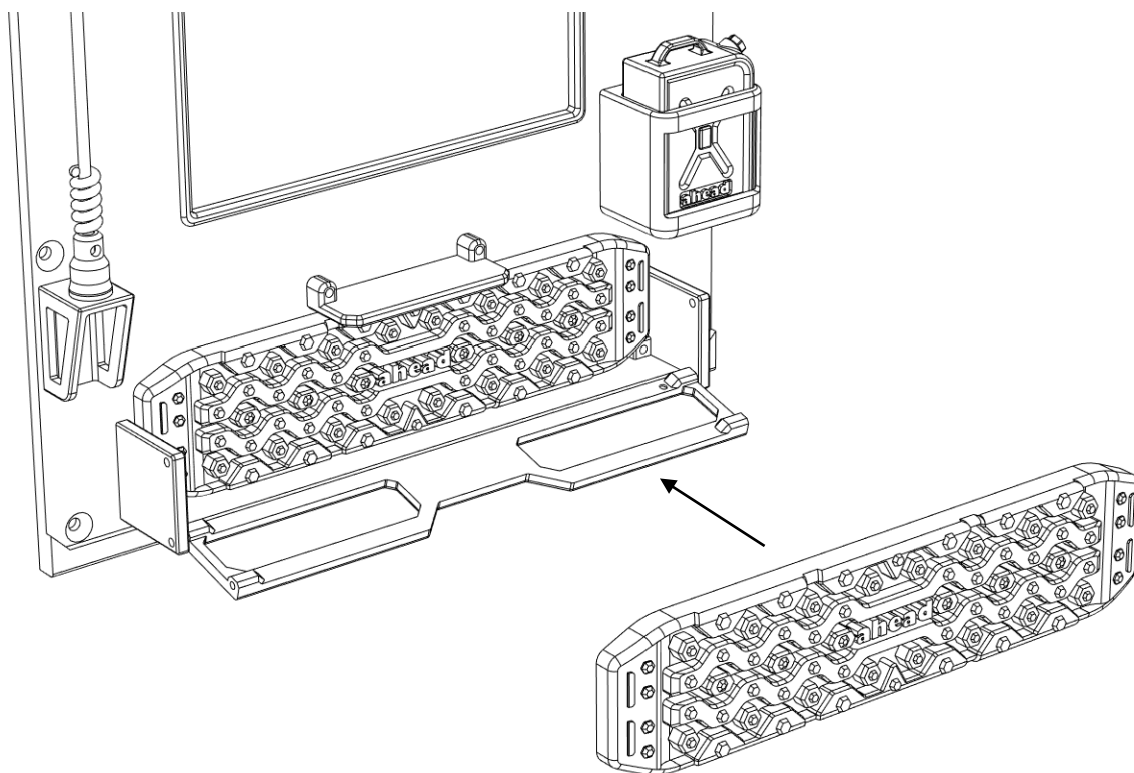
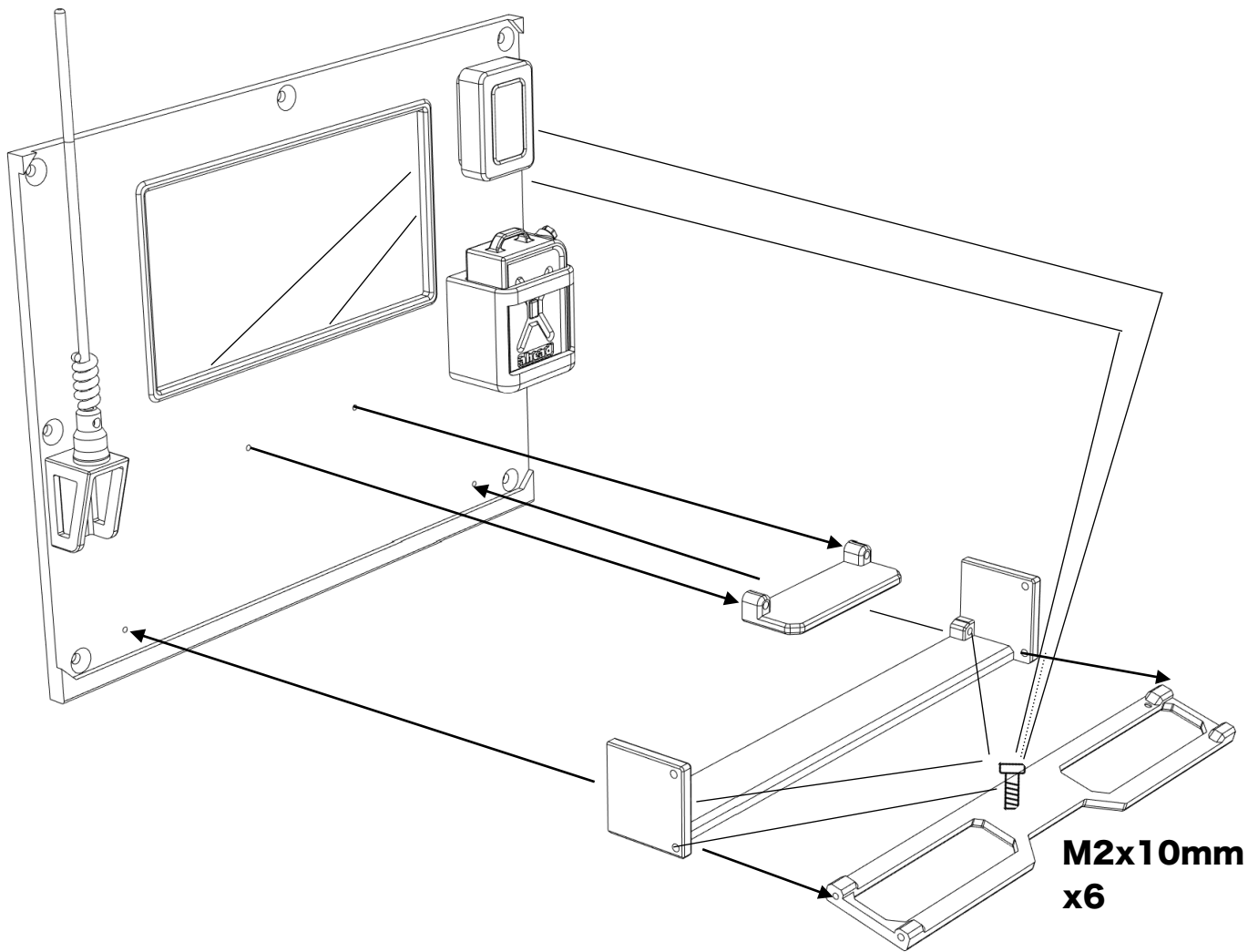
Installing accessories and details

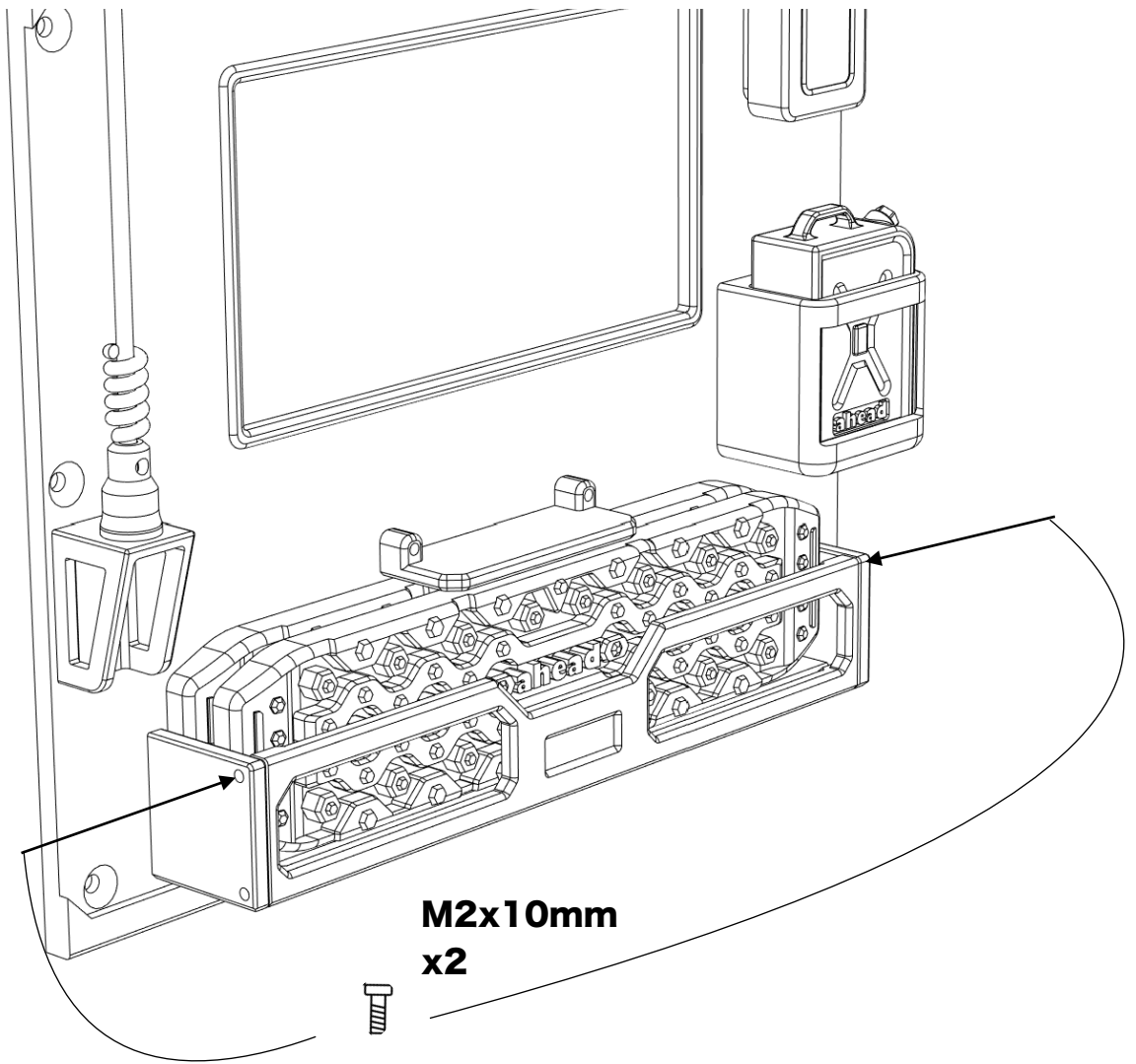




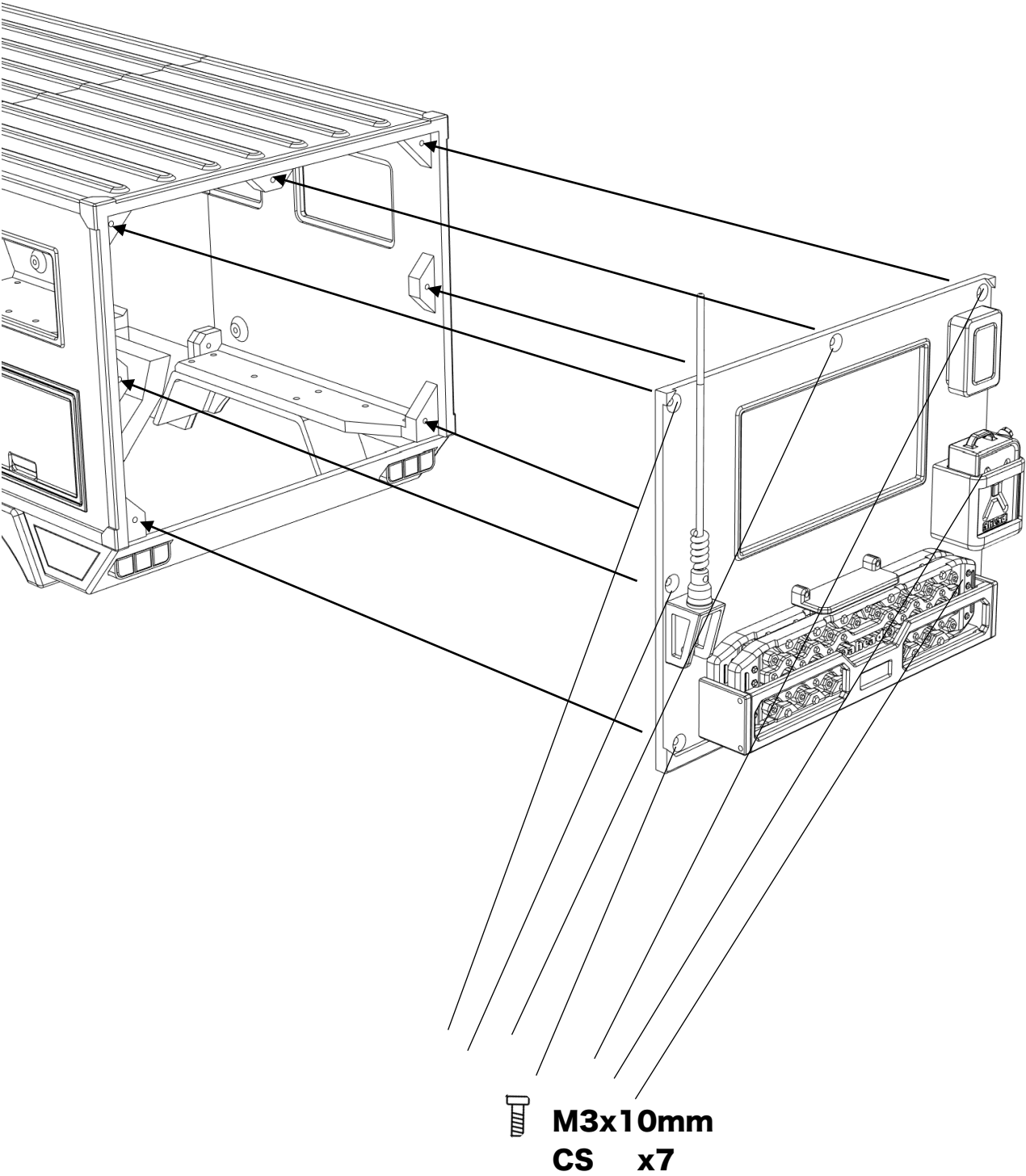
**M2x5mm
x6**



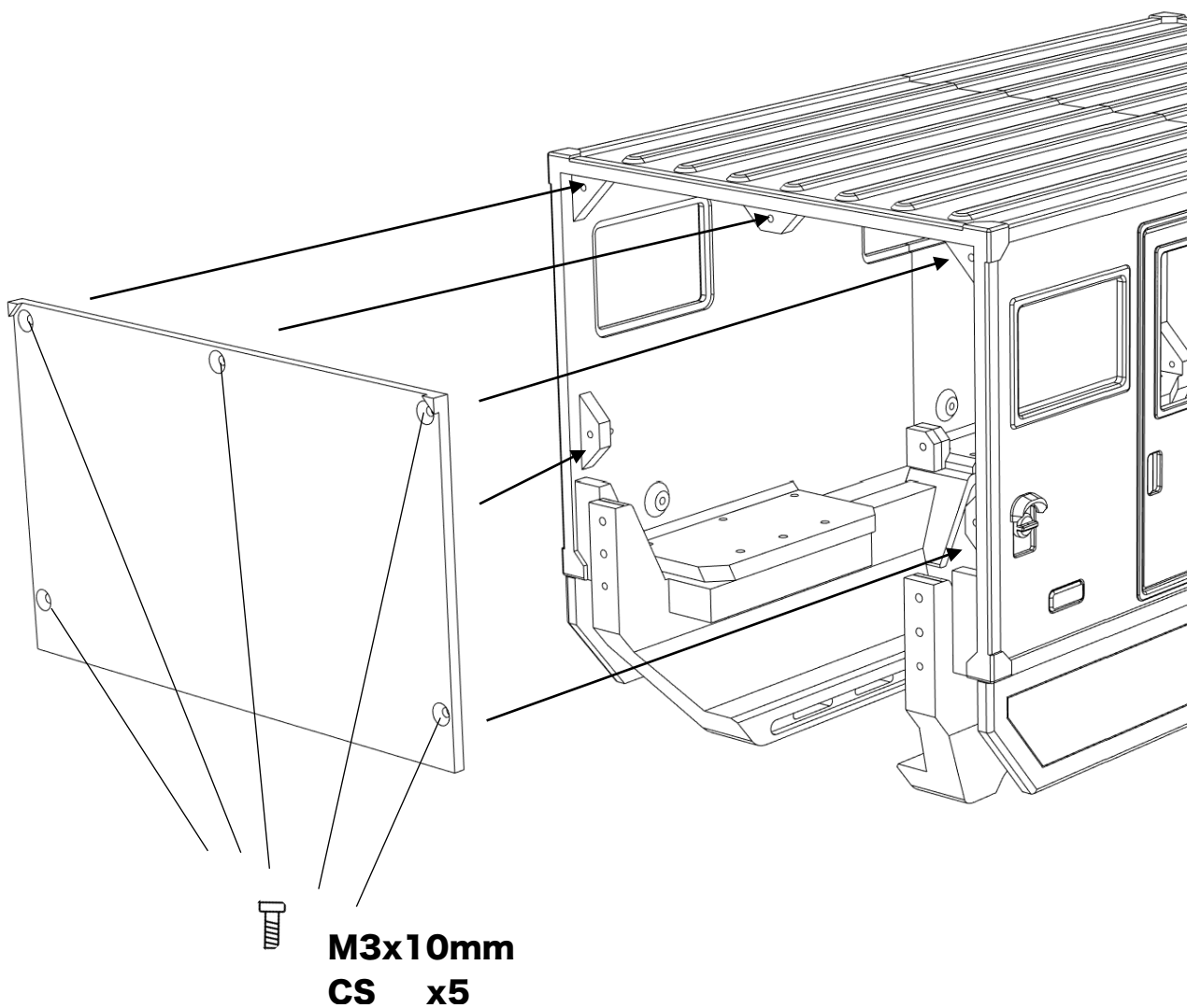


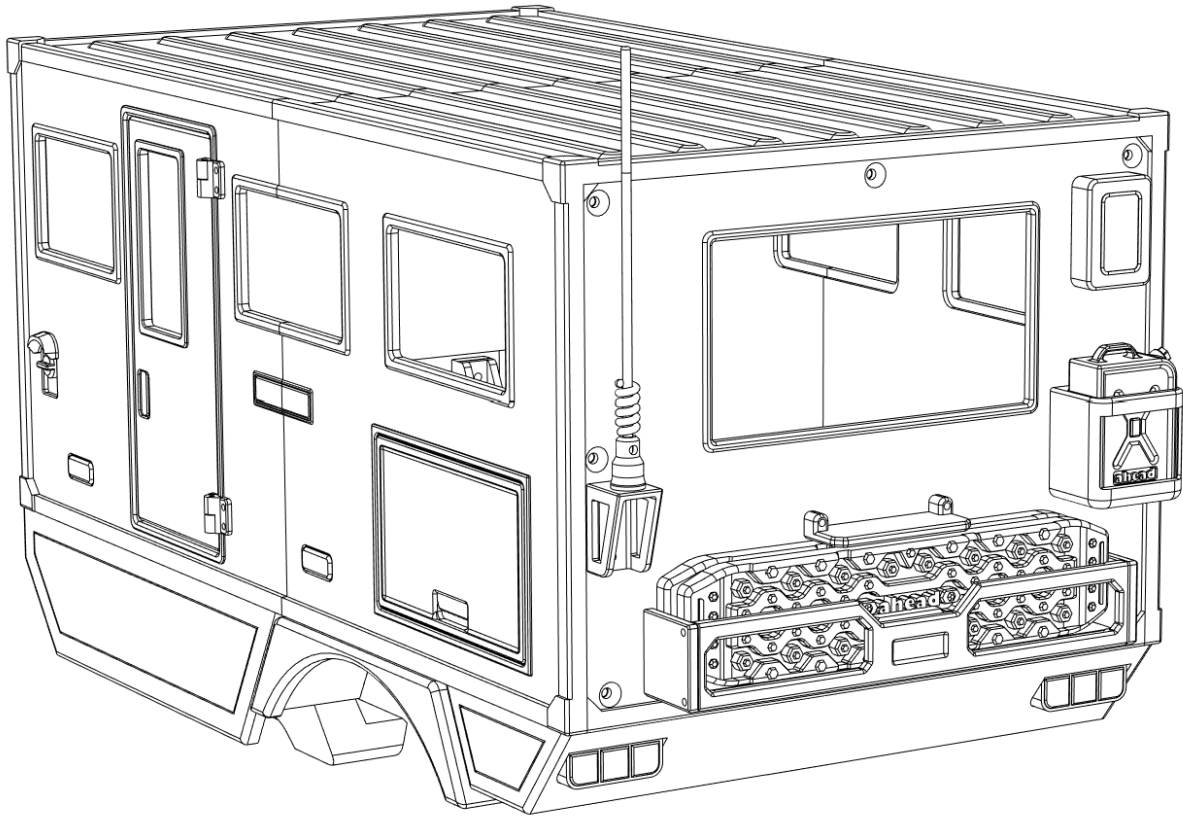


Installing the rear wall



Installing the front wall





Body is now fully complete. Thank you for selecting ahead RC products.

If you have any questions or need help with the assembly, please do not hesitate to contact us at:

aheadrc@gmail.com

or visit us at:

www.aheadrc.com

Best of luck with your build!