

ahead RC Crawler G90 Single Cab Assembly Manual



Required tools and hardware

Tools

- 1.5mm Hex Driver
- 2.0mm Hex Driver
- 2.5mm Hex Driver
- Short 2.5mm hex driver
- Needle Nosed Pliers
- Instant Glue

Electronics

- 5mm LED White x8
- 3mm LED Orange x10

Hardware

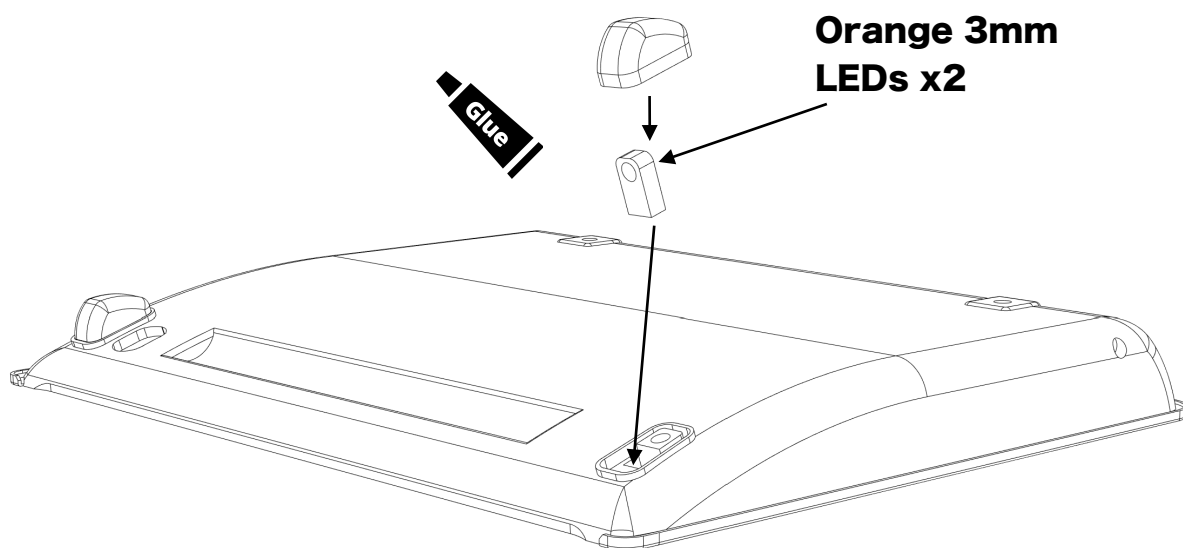
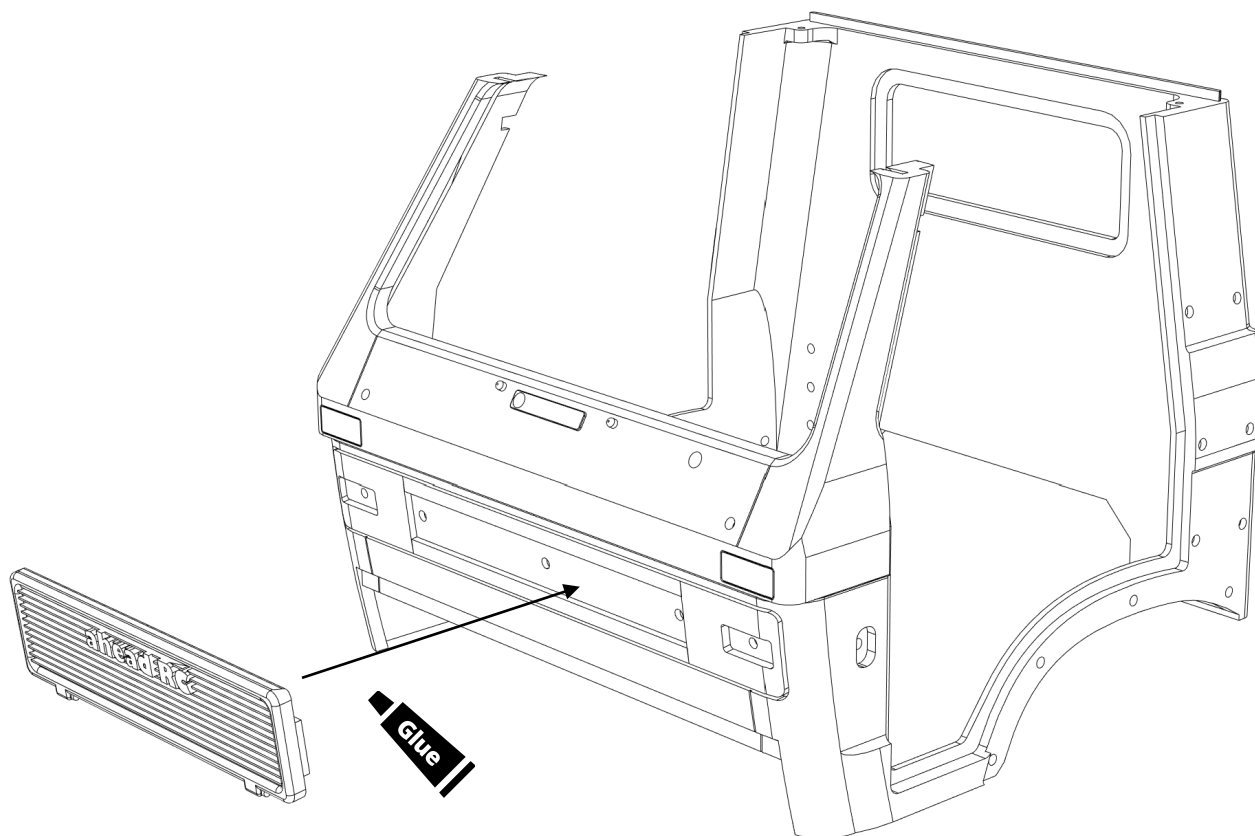
Hardware	Quantity	Check ✓
M2*5 Socket head	10	
M2*8 Socket head	24	
M2*10 Socket head	8	
M3*5 Socket head	2	
M3*10 Socket head	14	
M3*12 Socket head	2	
M3*20 Socket head	6	
M3*10 Countersunk (CS)	3	
M3*15 Countersunk (CS)	2	
M3*3 Grub screw (GS)	4	
M3 Lock Nut	4	

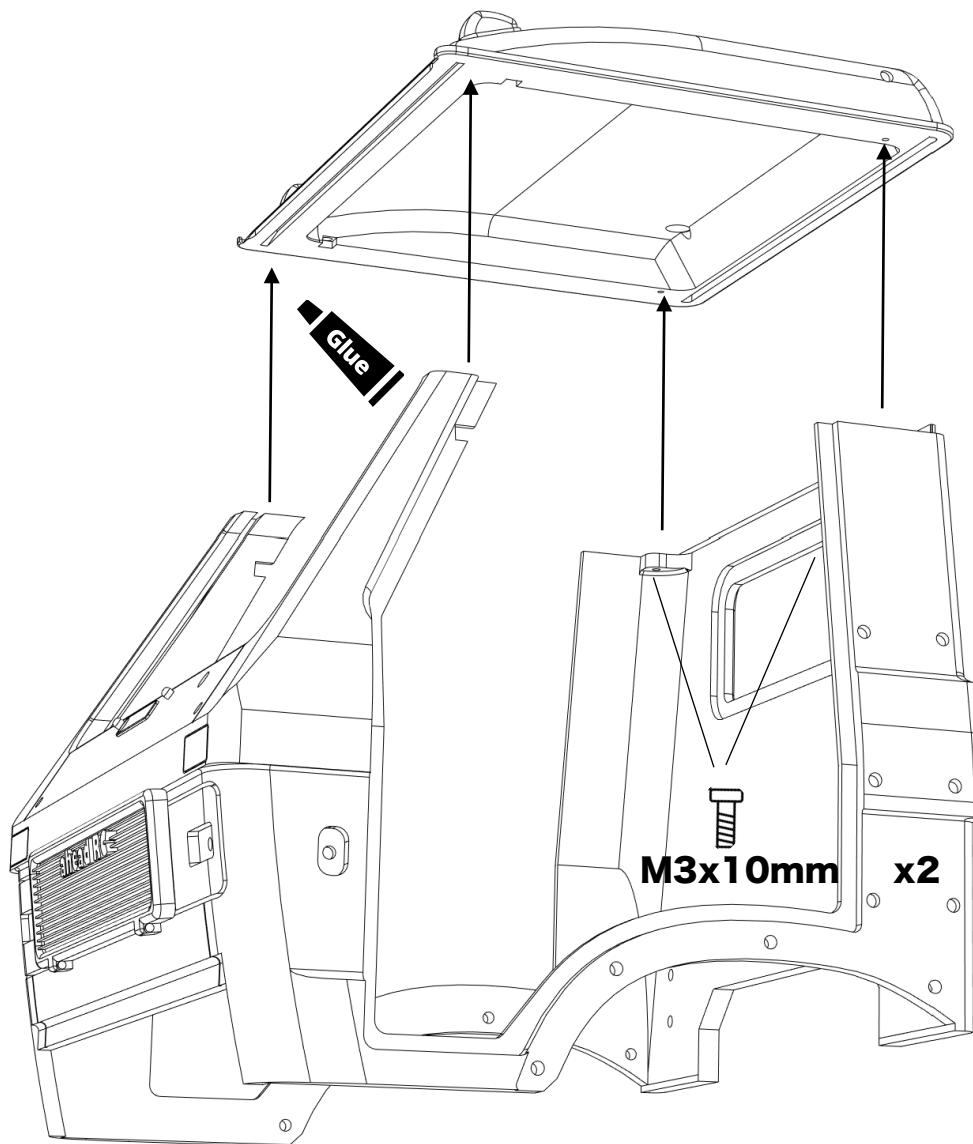
Before you begin

- Be sure to read through the manual and familiarise yourself with the instructions
- Visualise a plan to assemble all the pieces
- Make sure you have all of the hardware and tools
- Be sure to have enough instant glue
- Dry fit all parts before painting and assembling

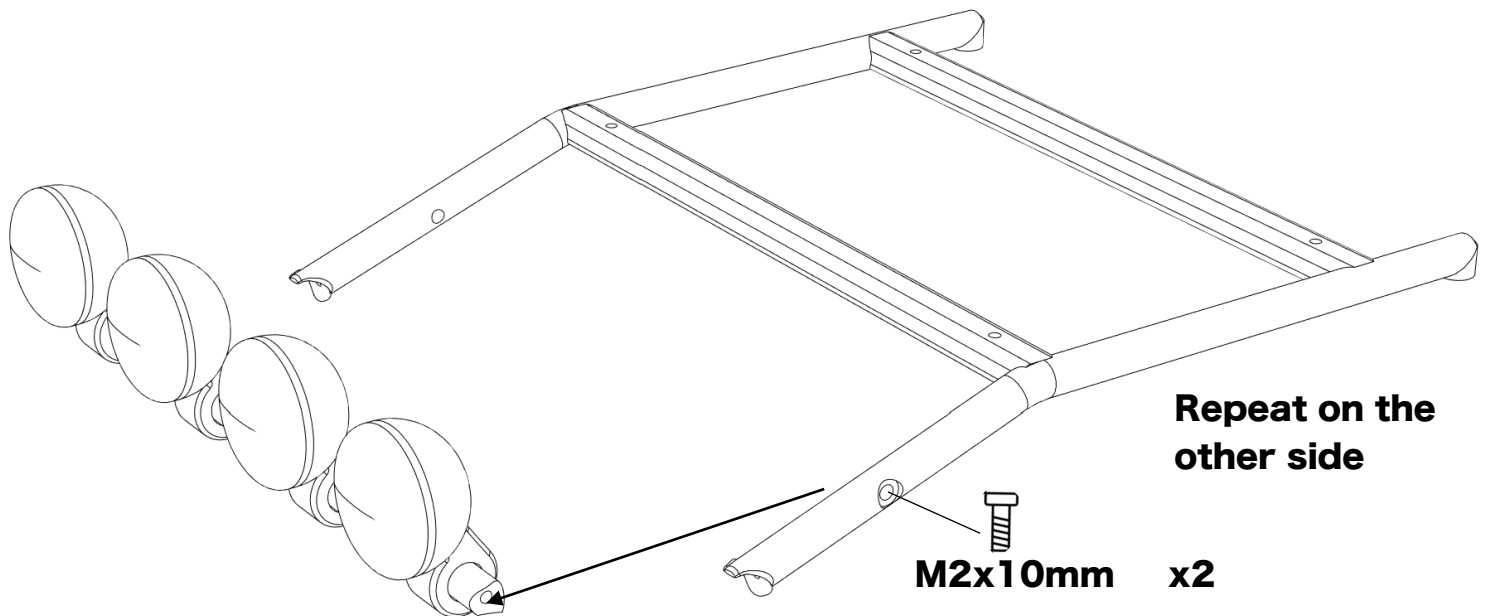
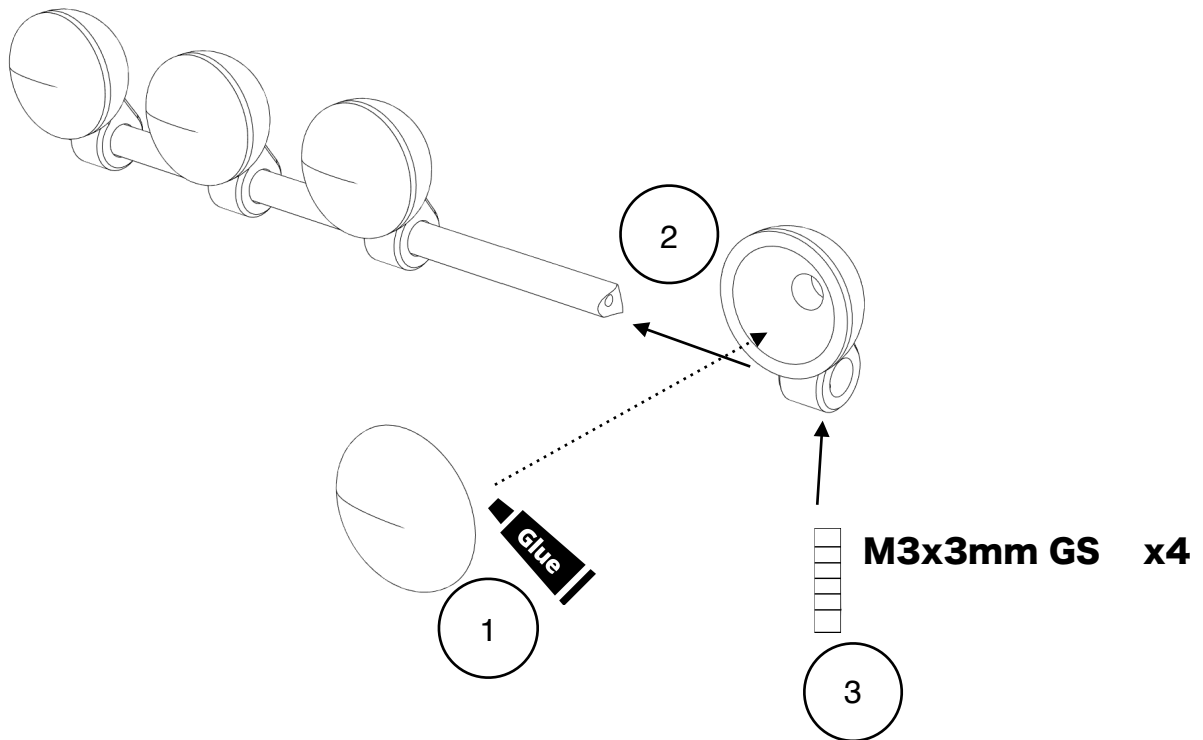
Tip: It will help to paint all of the parts before final assembly

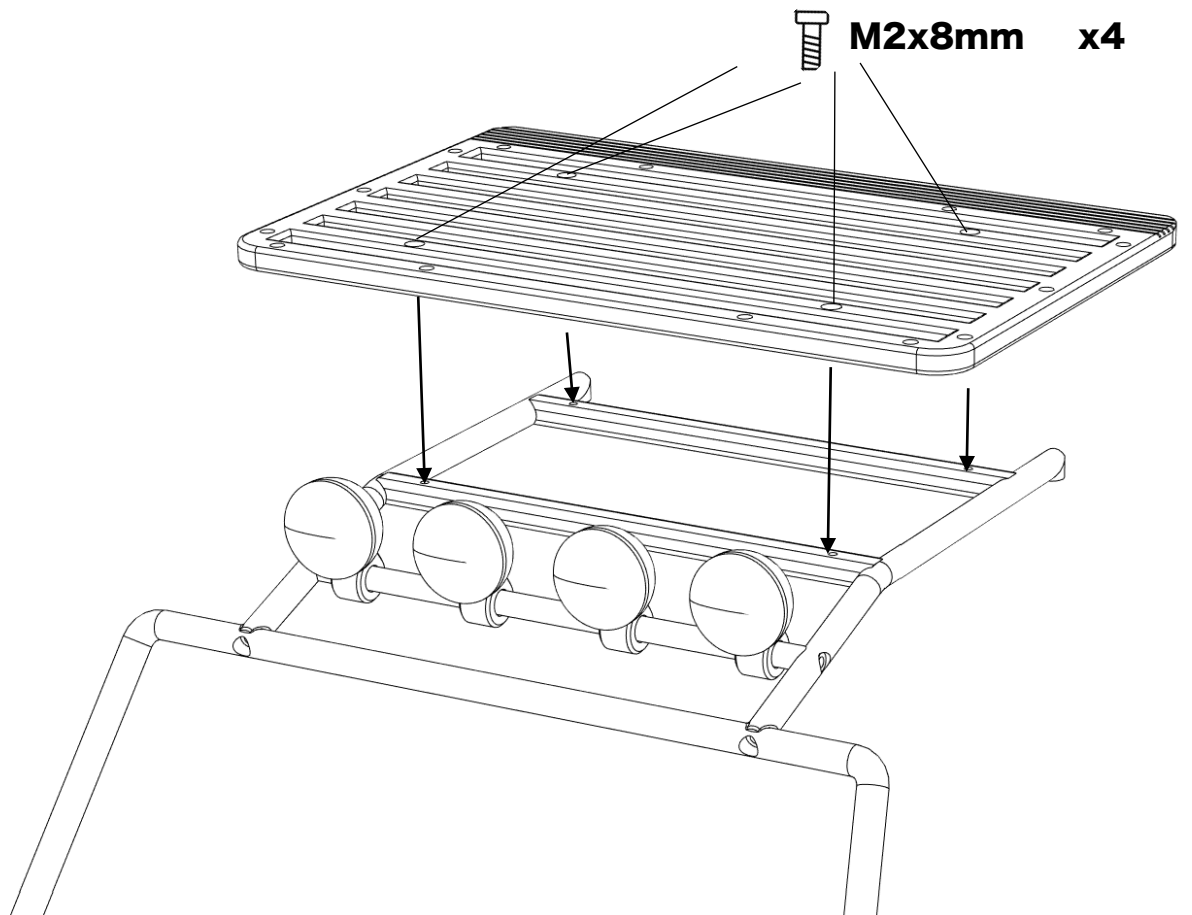
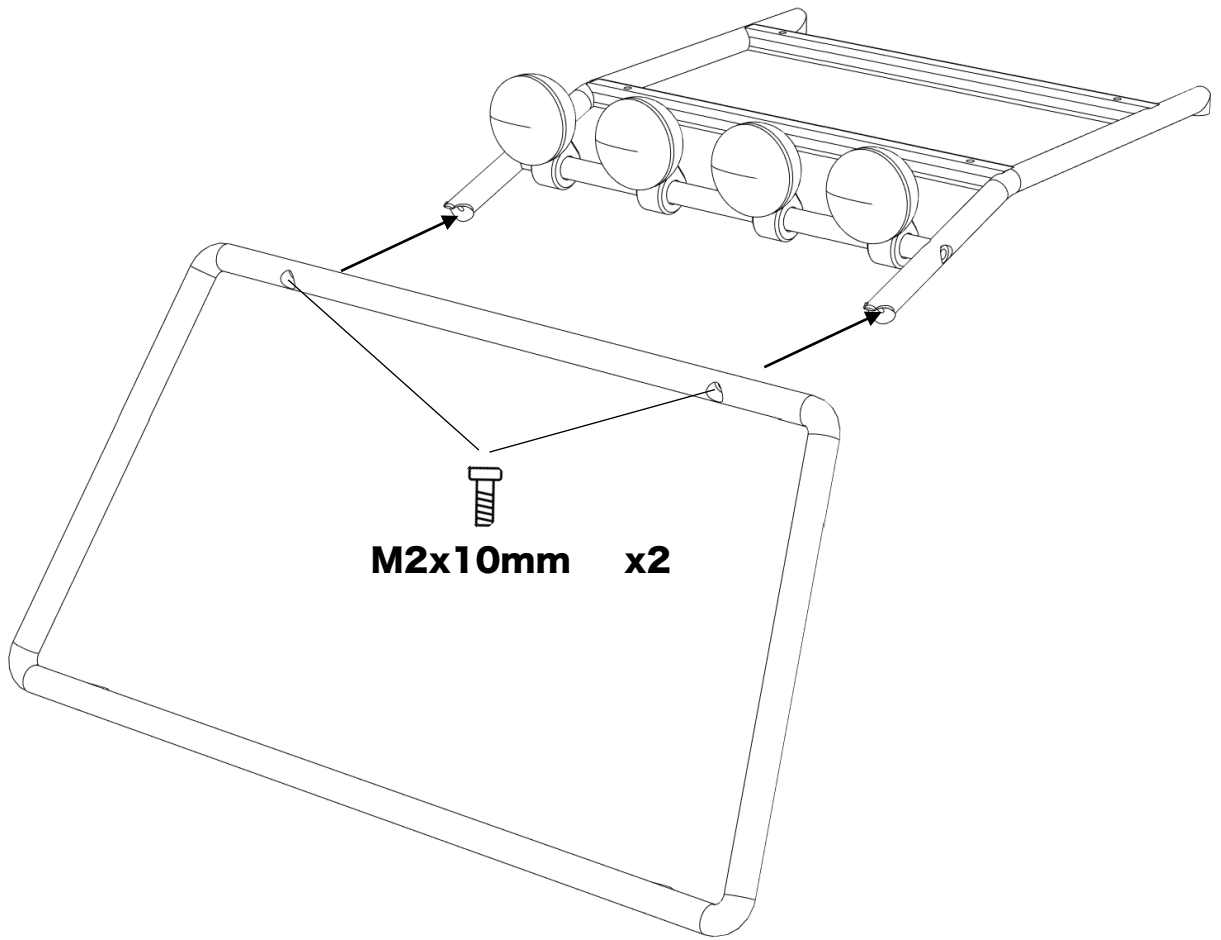
Installing the grille and assembling the roof

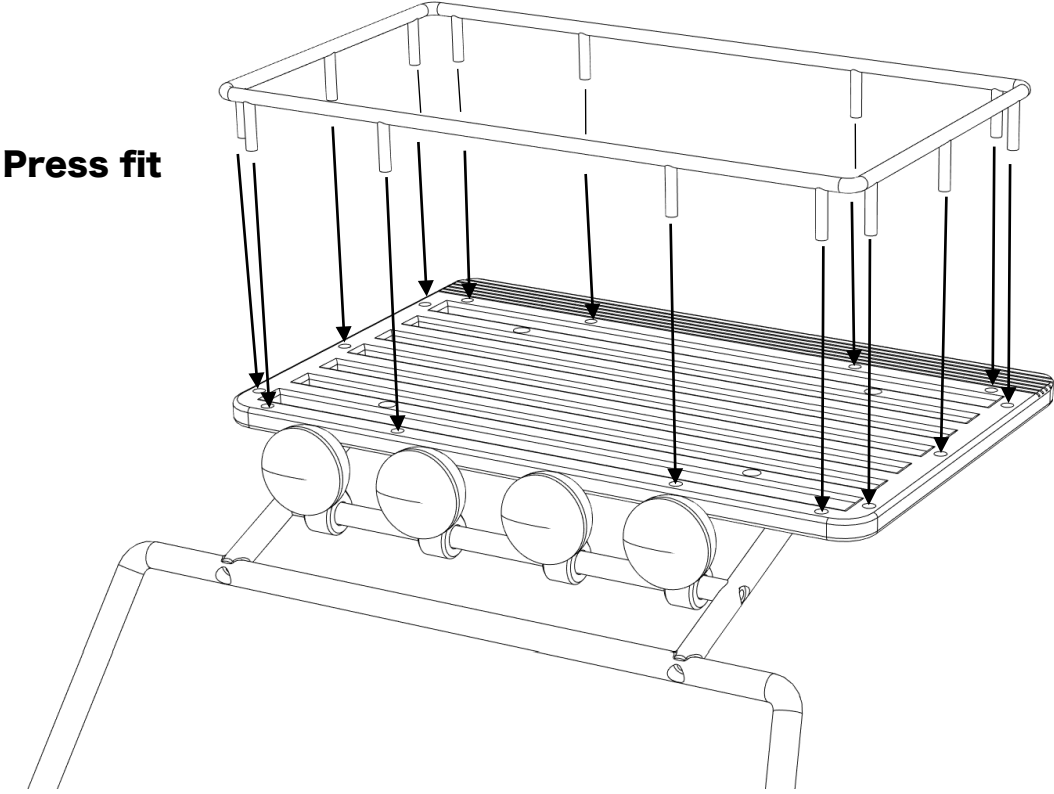




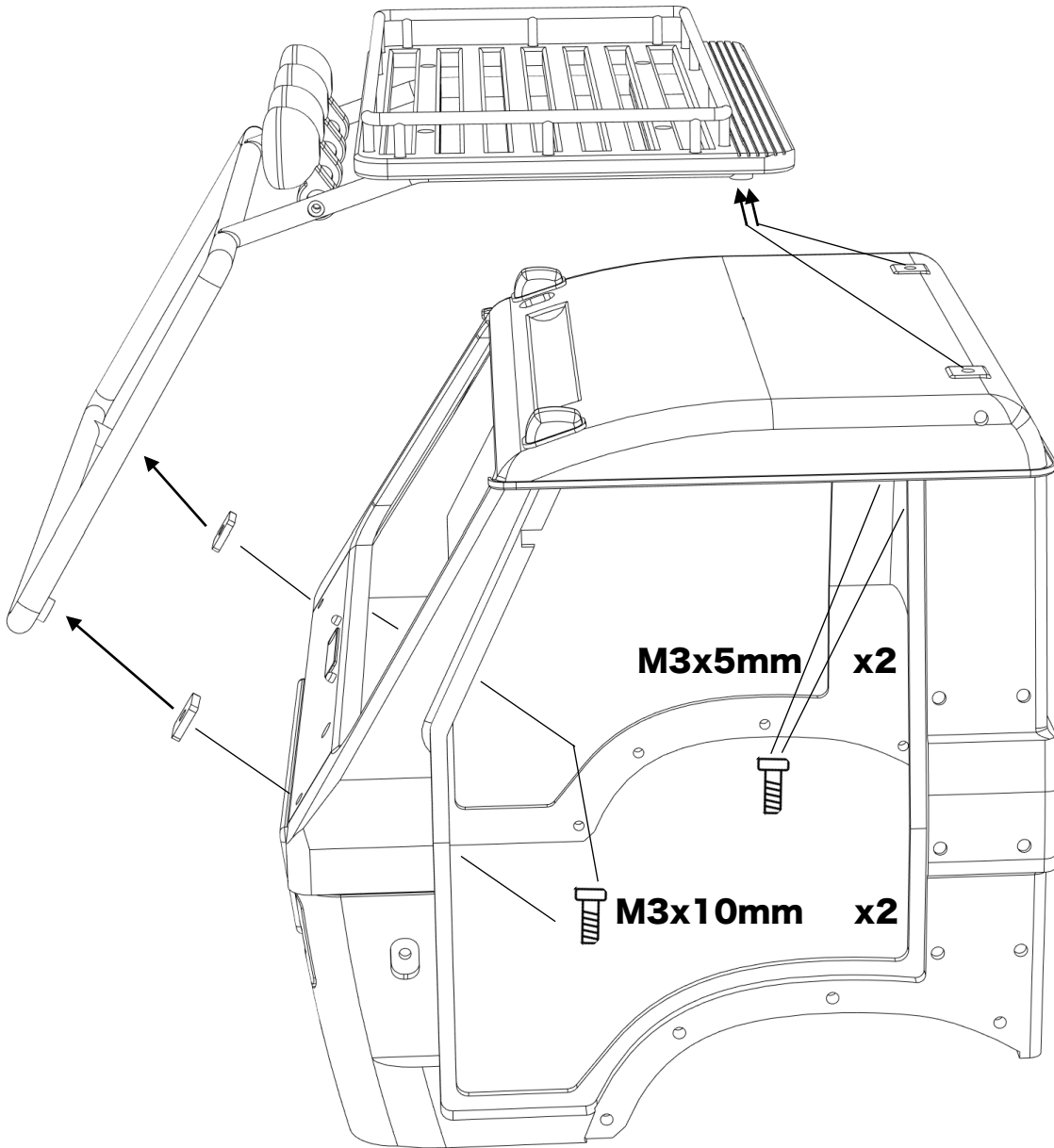
Assembling the roll cage



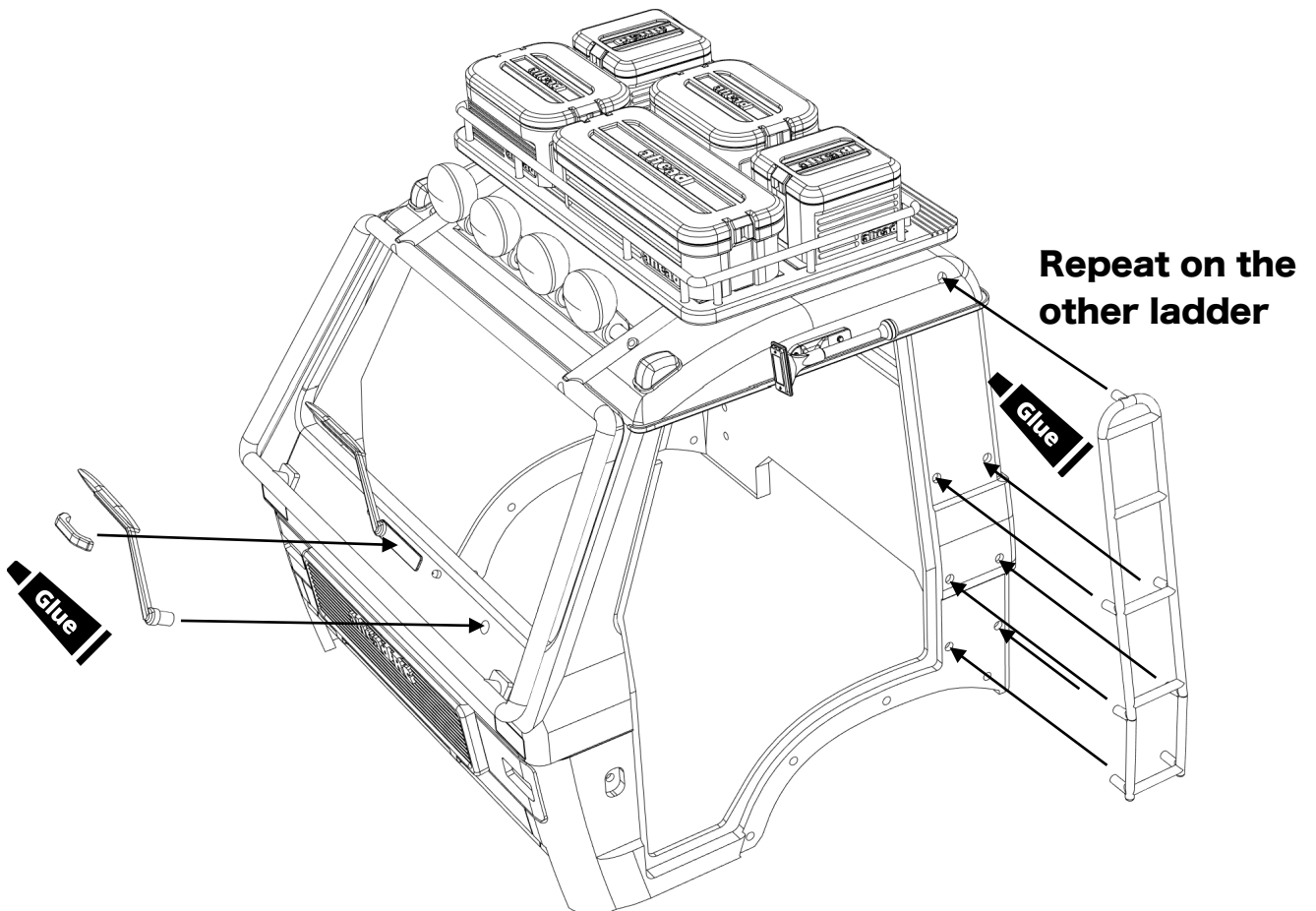
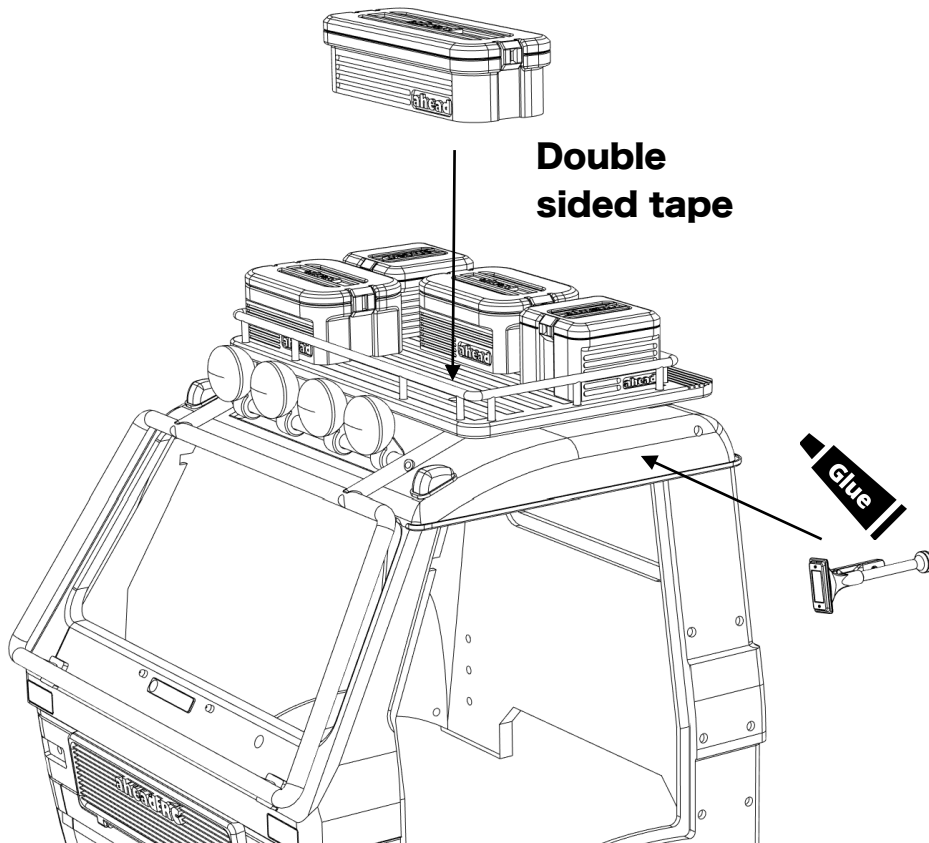


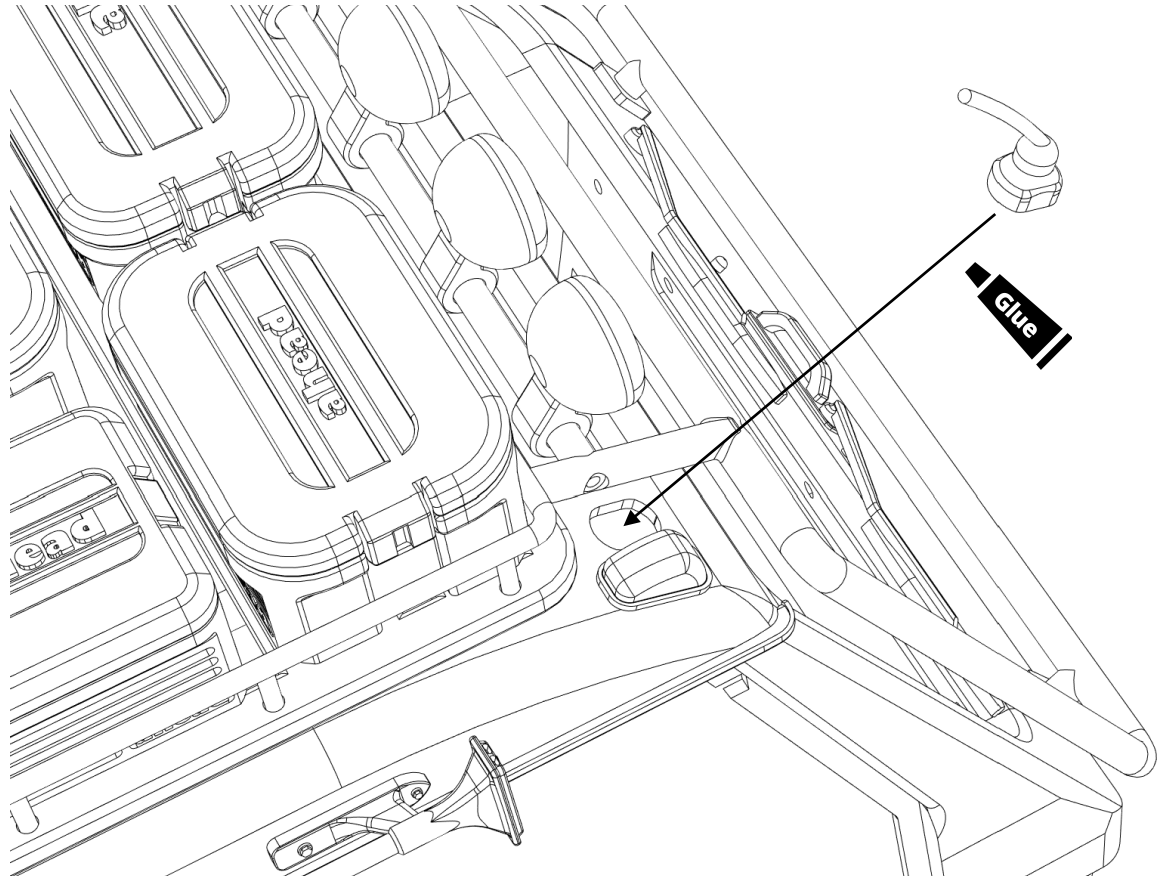


Installing roll cage

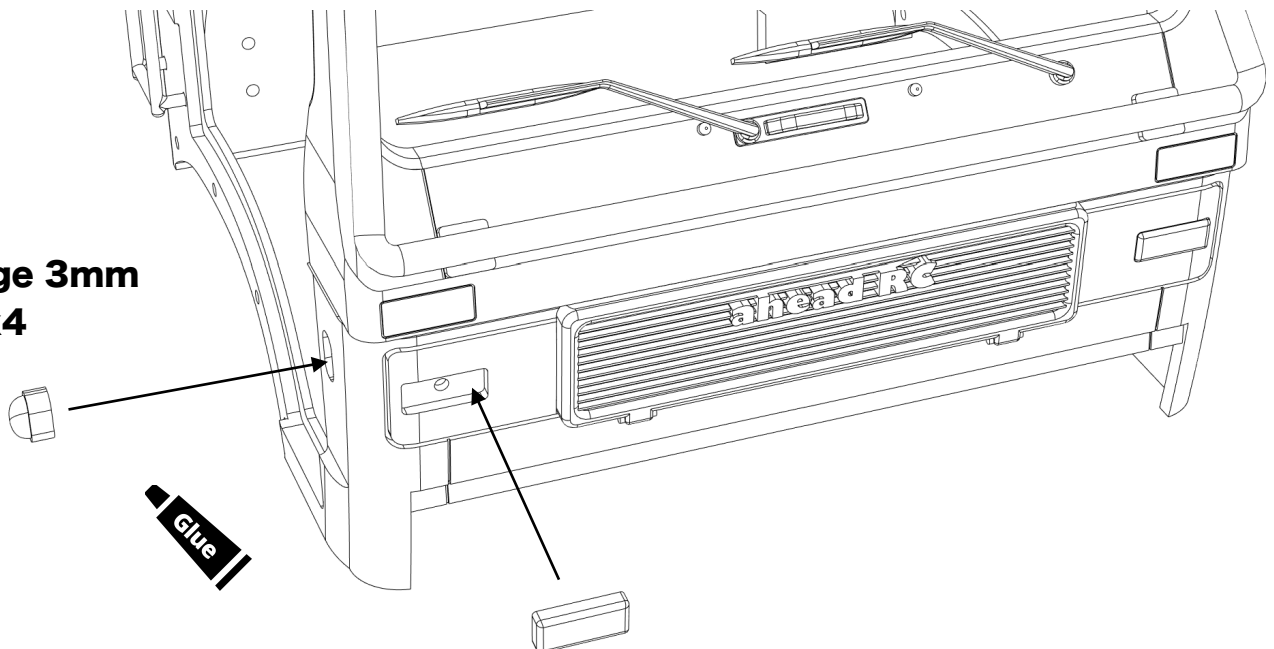


Installing accessories and details

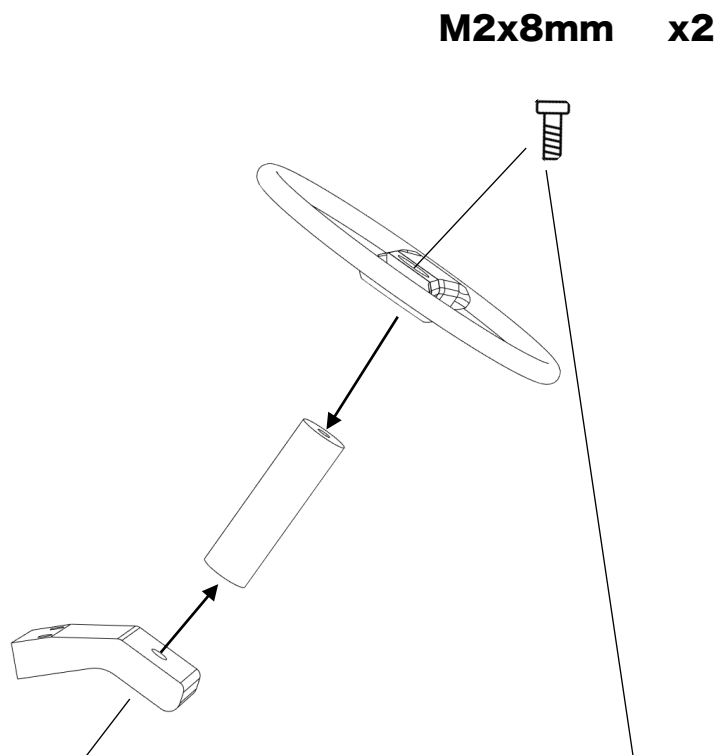
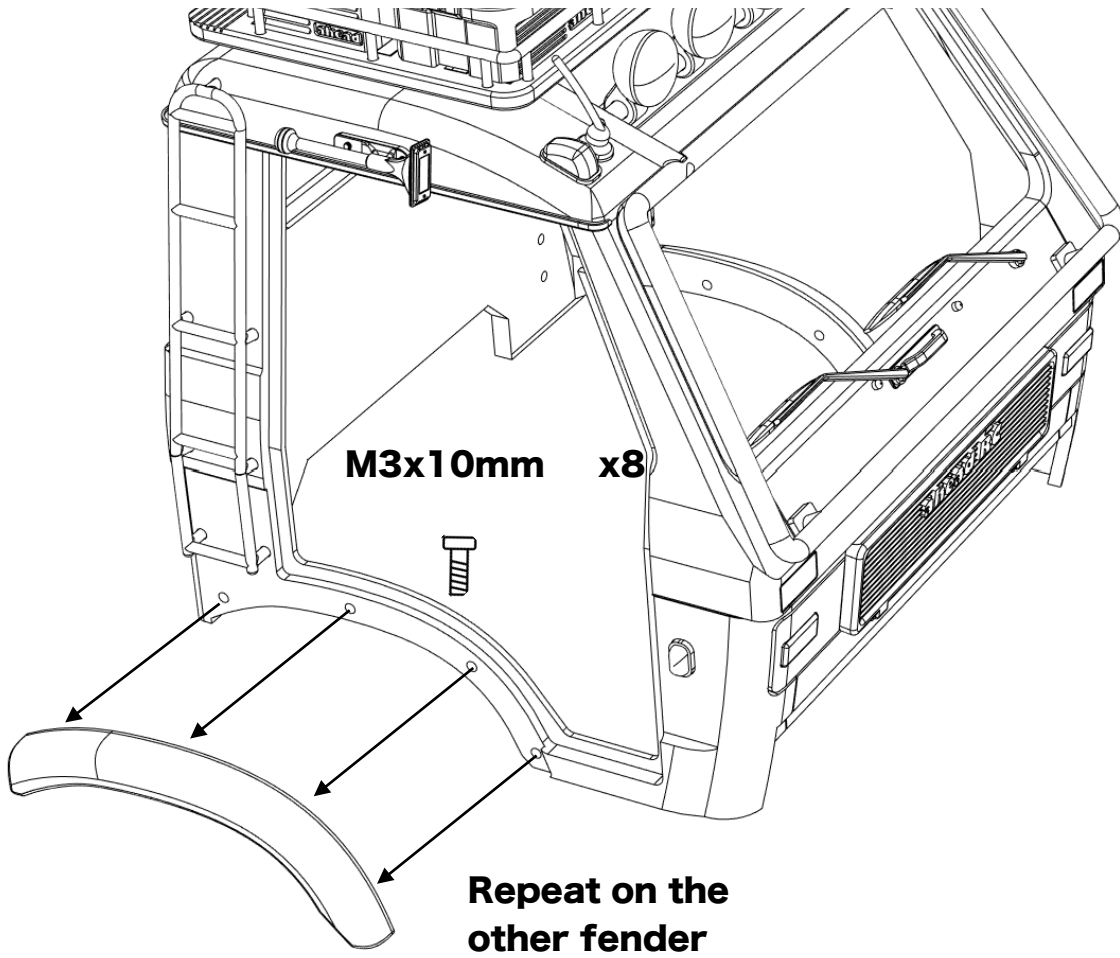


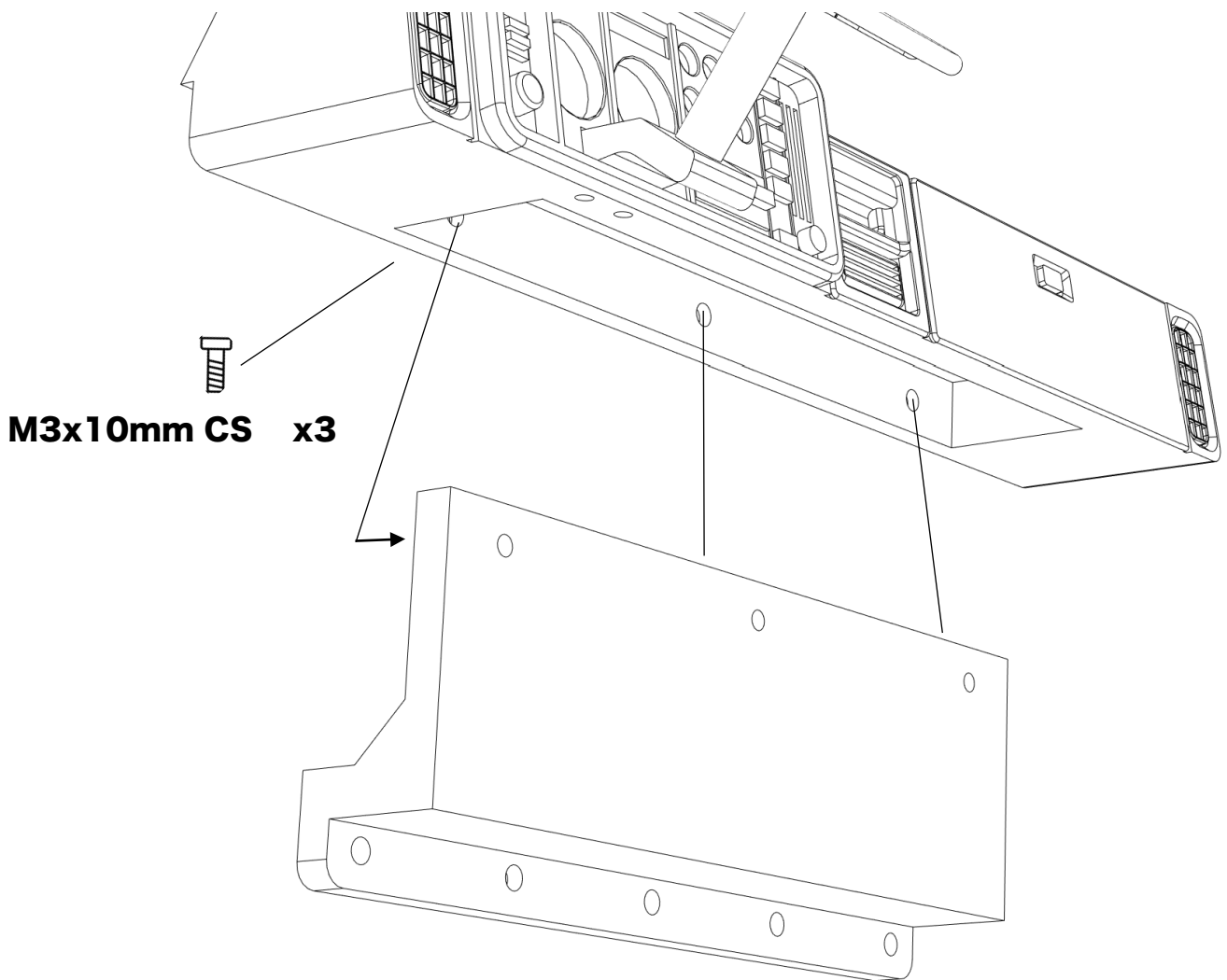
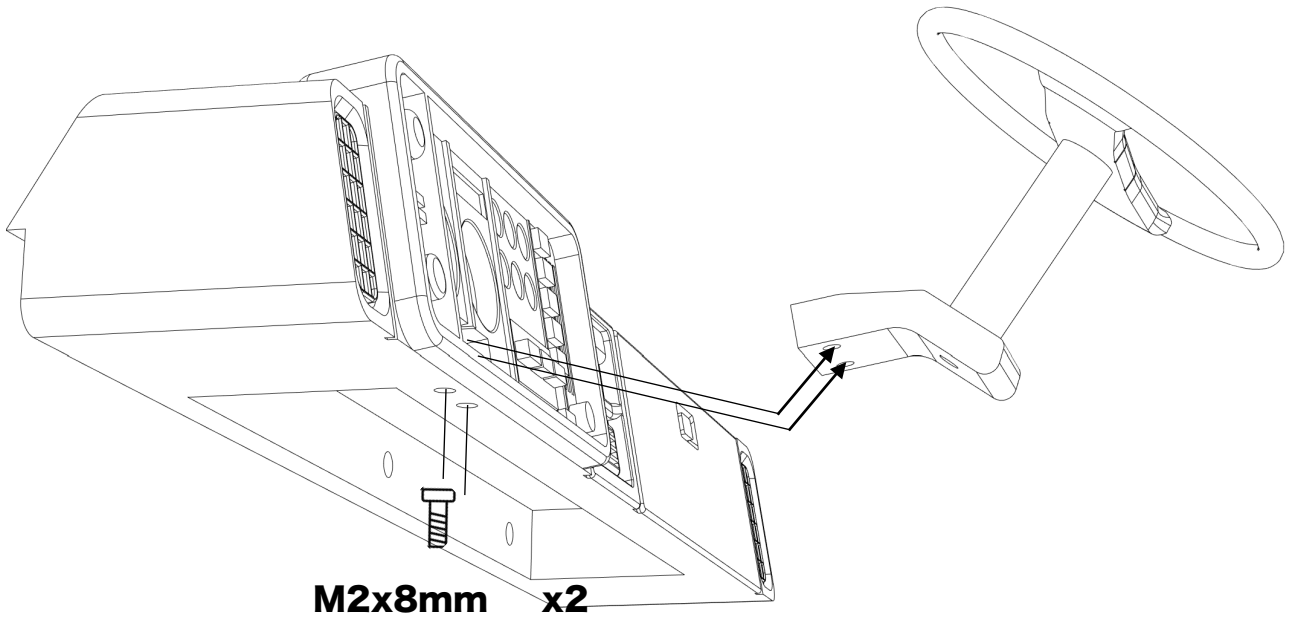


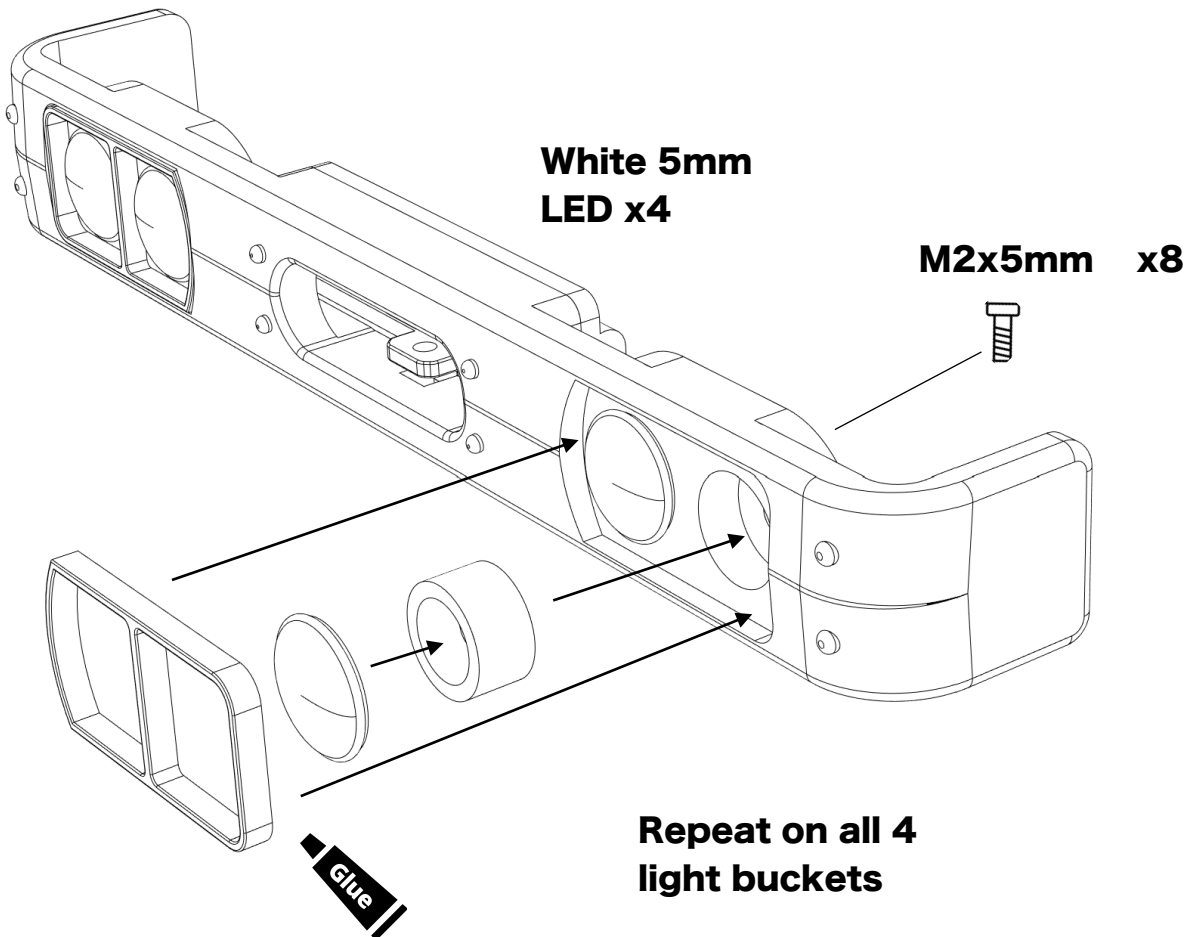
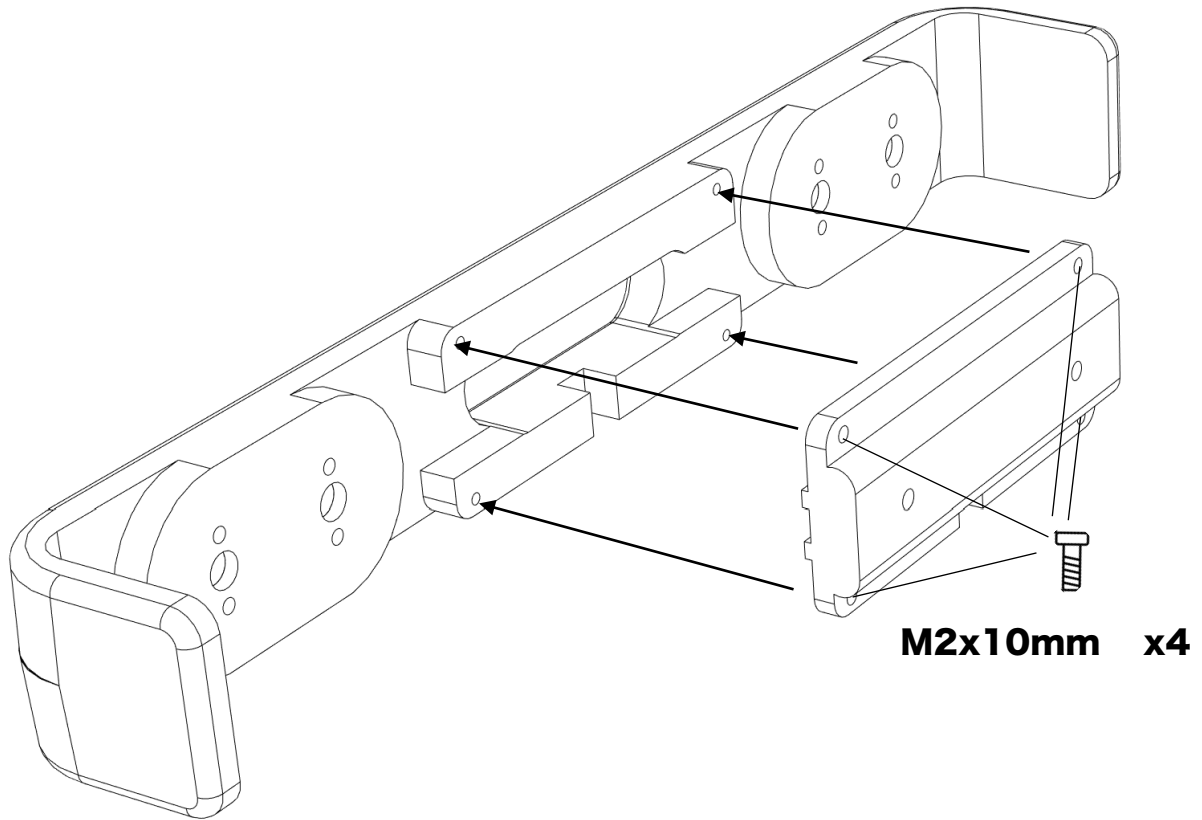
**Orange 3mm
LED x4**



Installing the fenders and assembling the interior

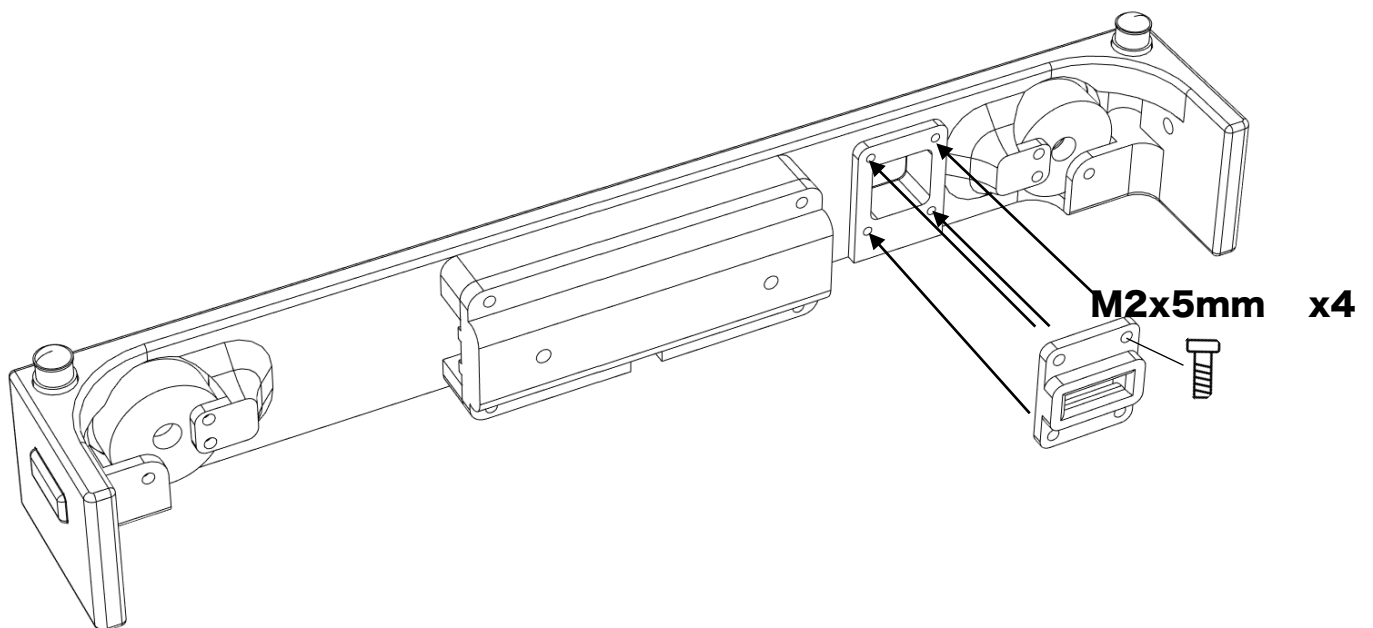
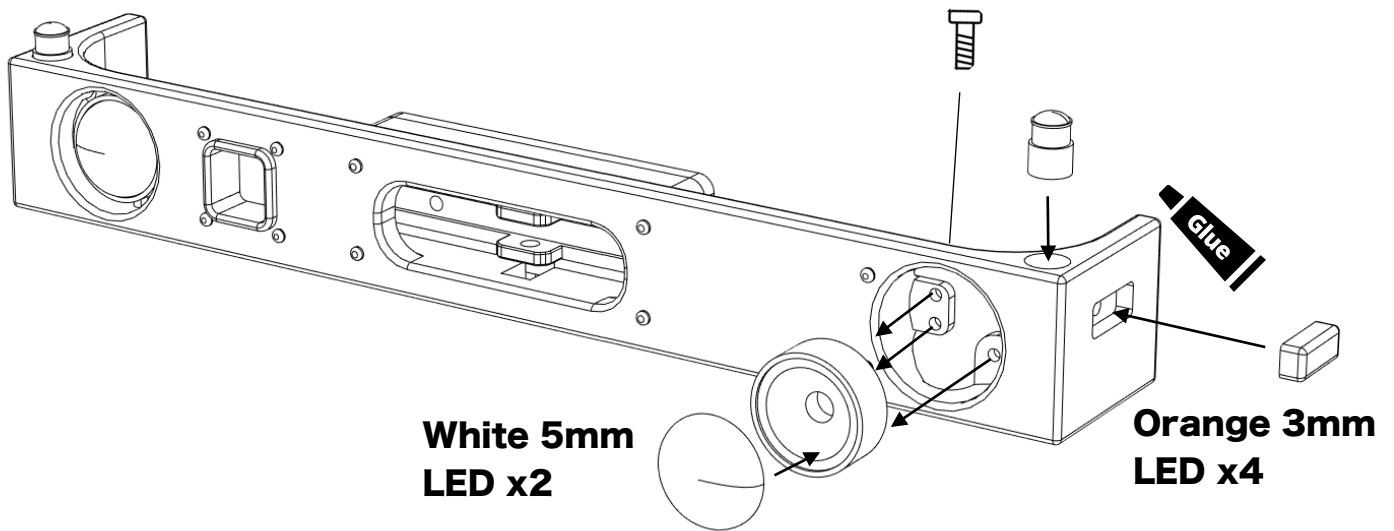




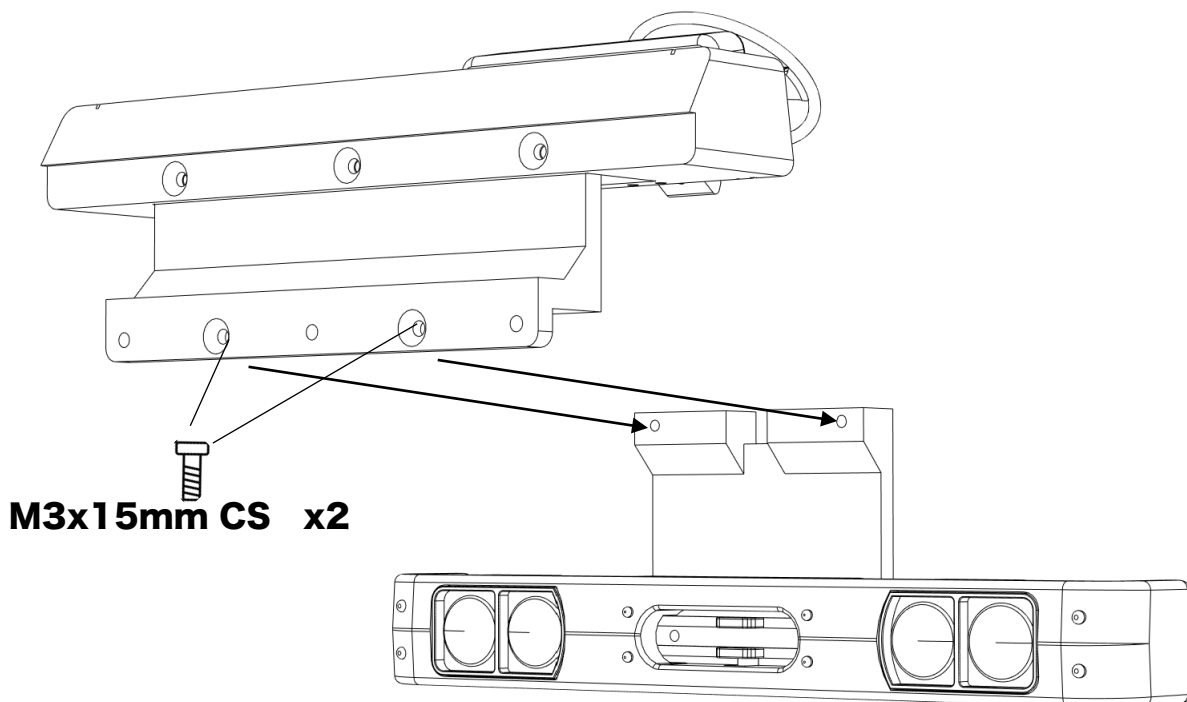
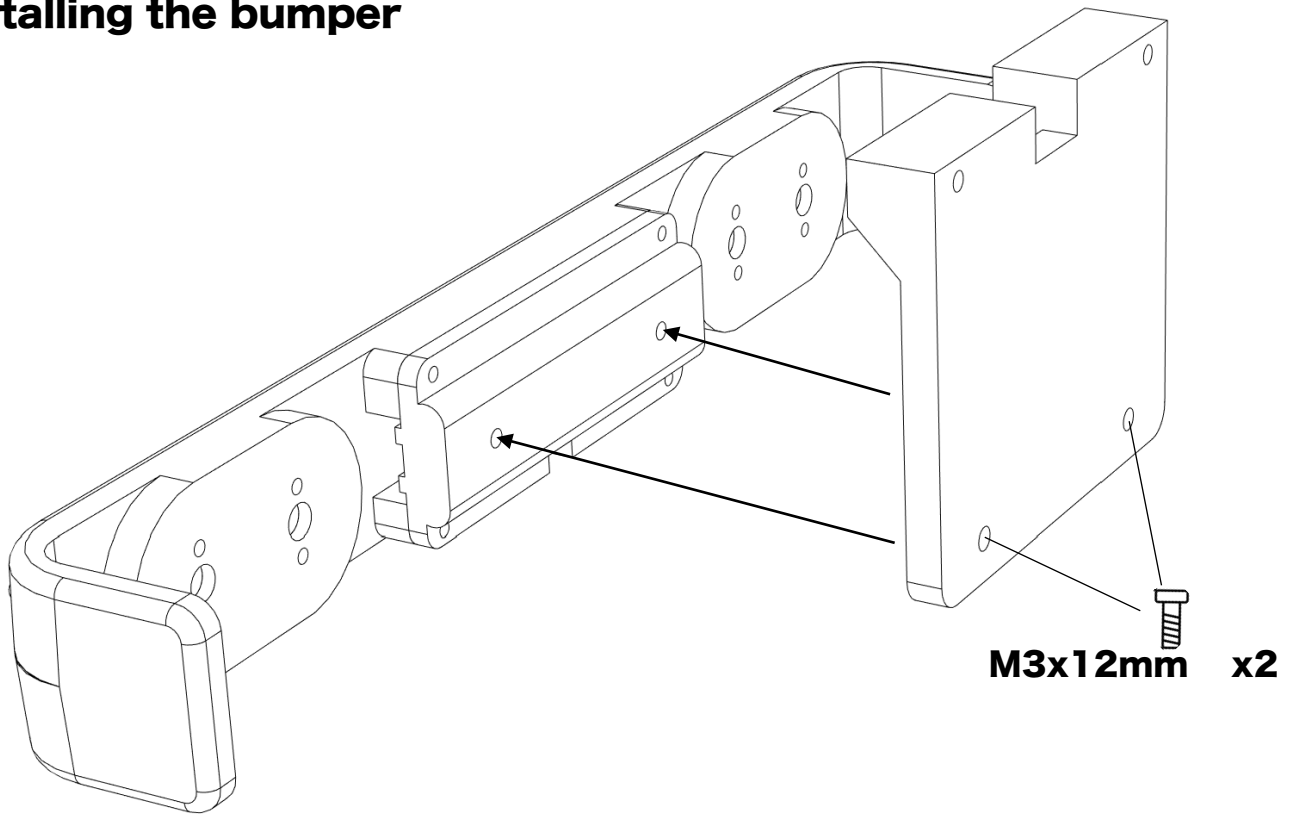


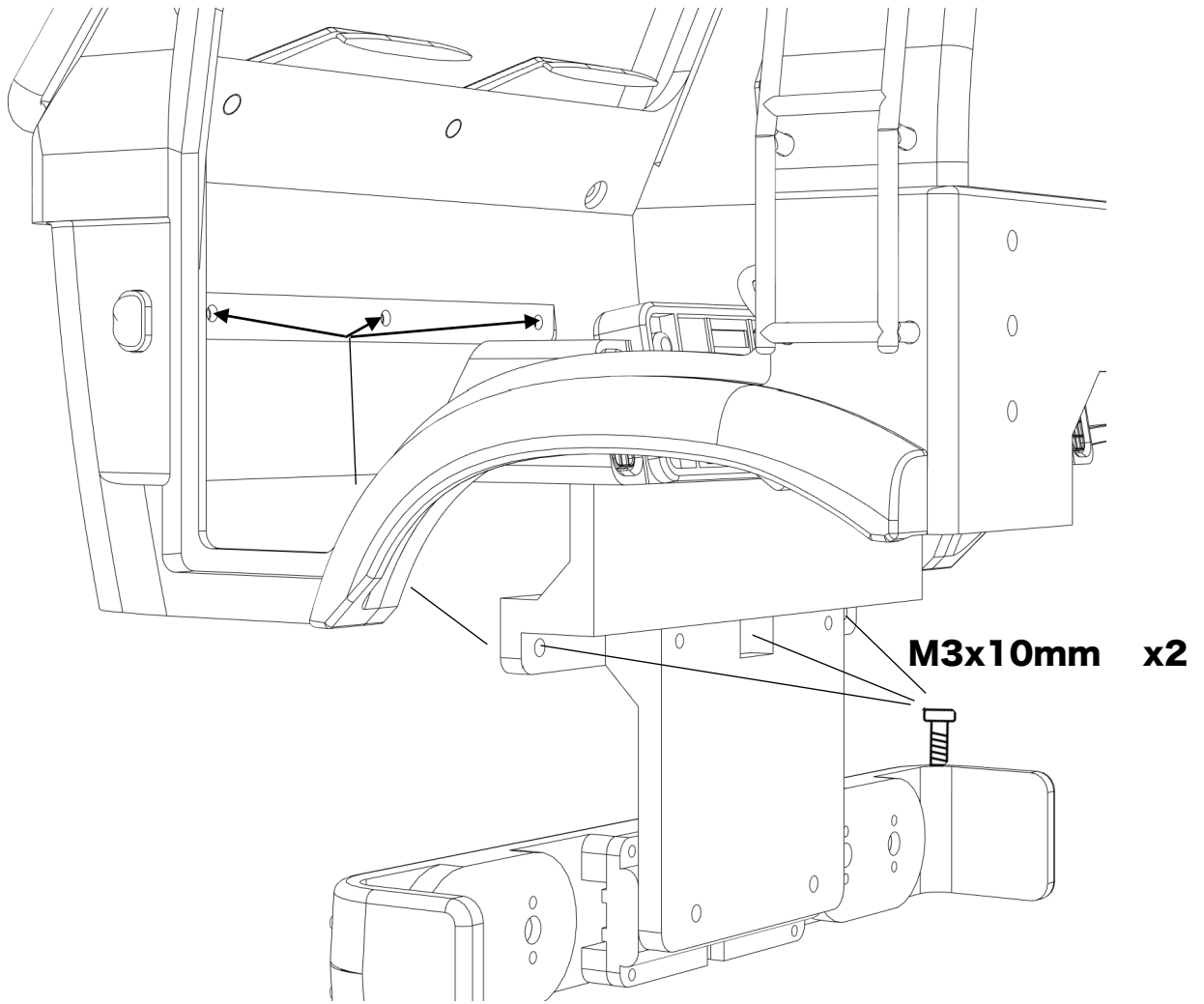
Assembling the bumper (type 2)

M2x5mm x6

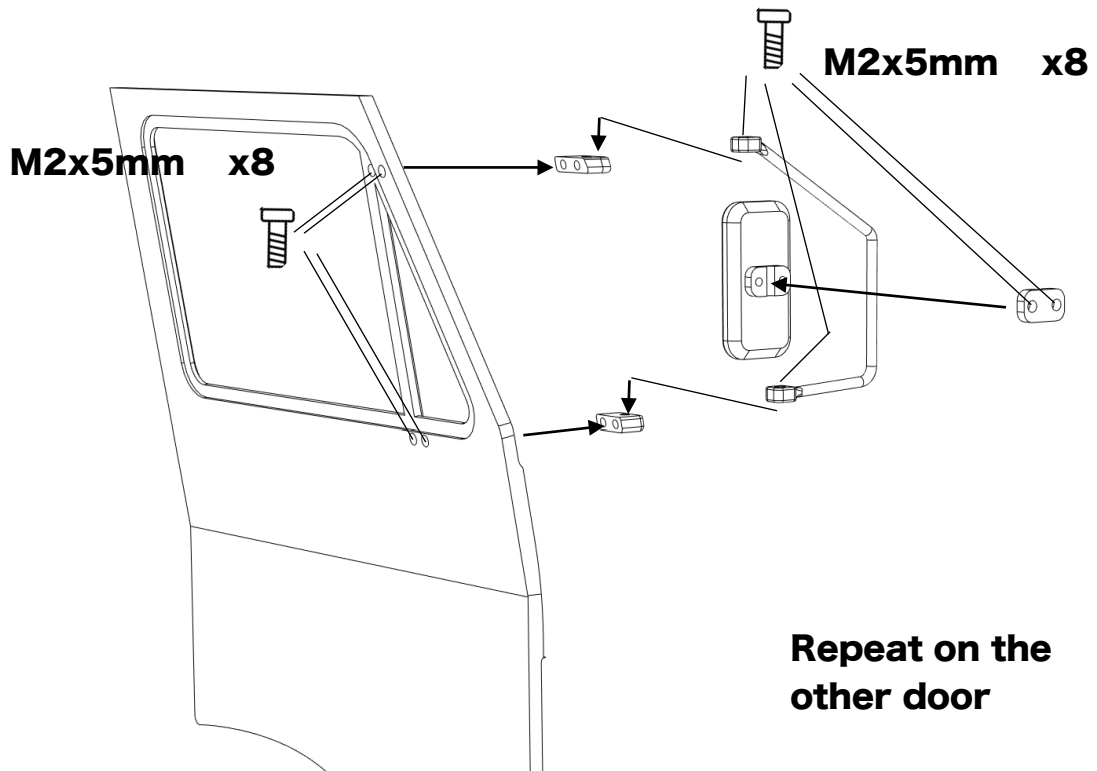


Installing the bumper

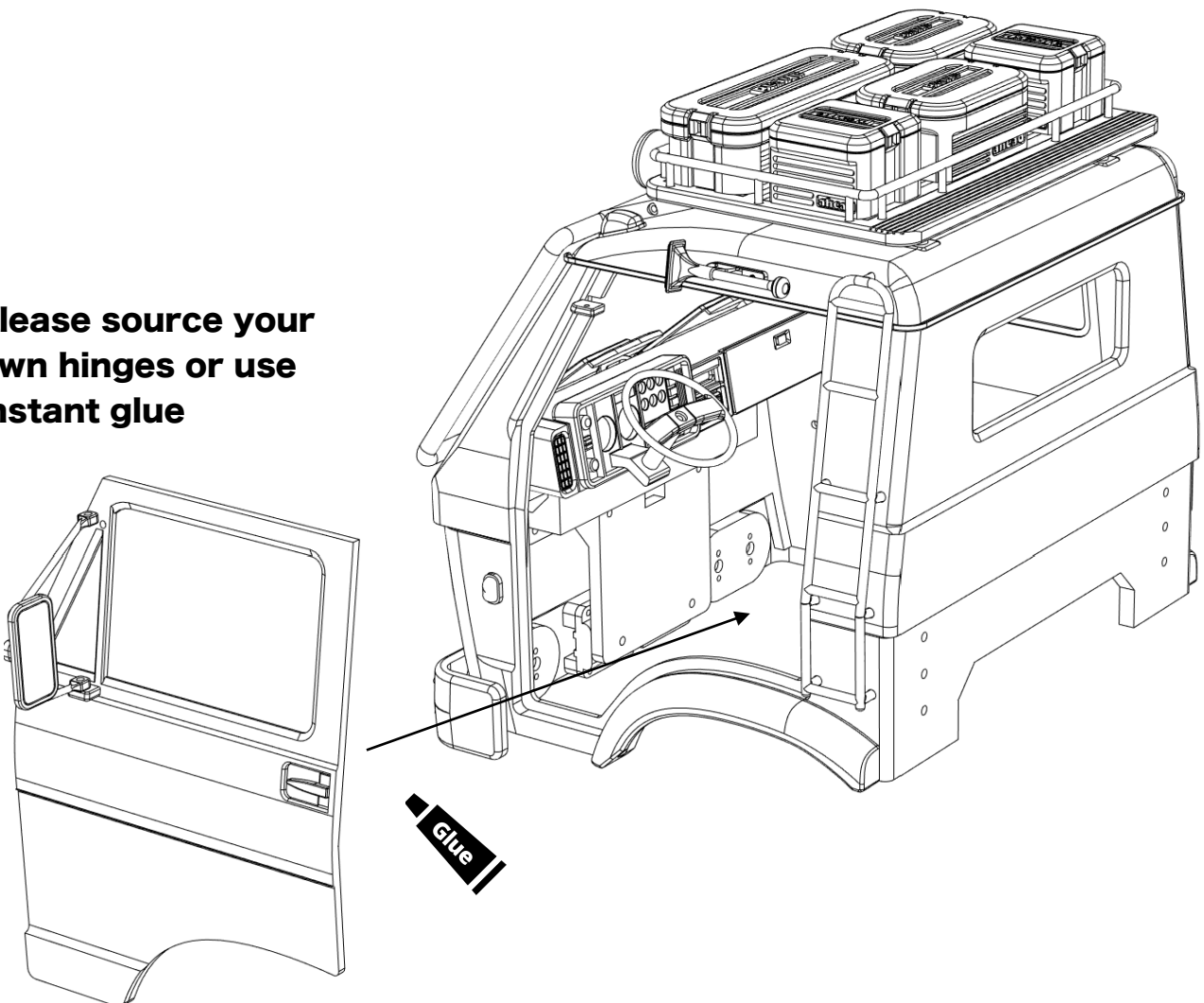




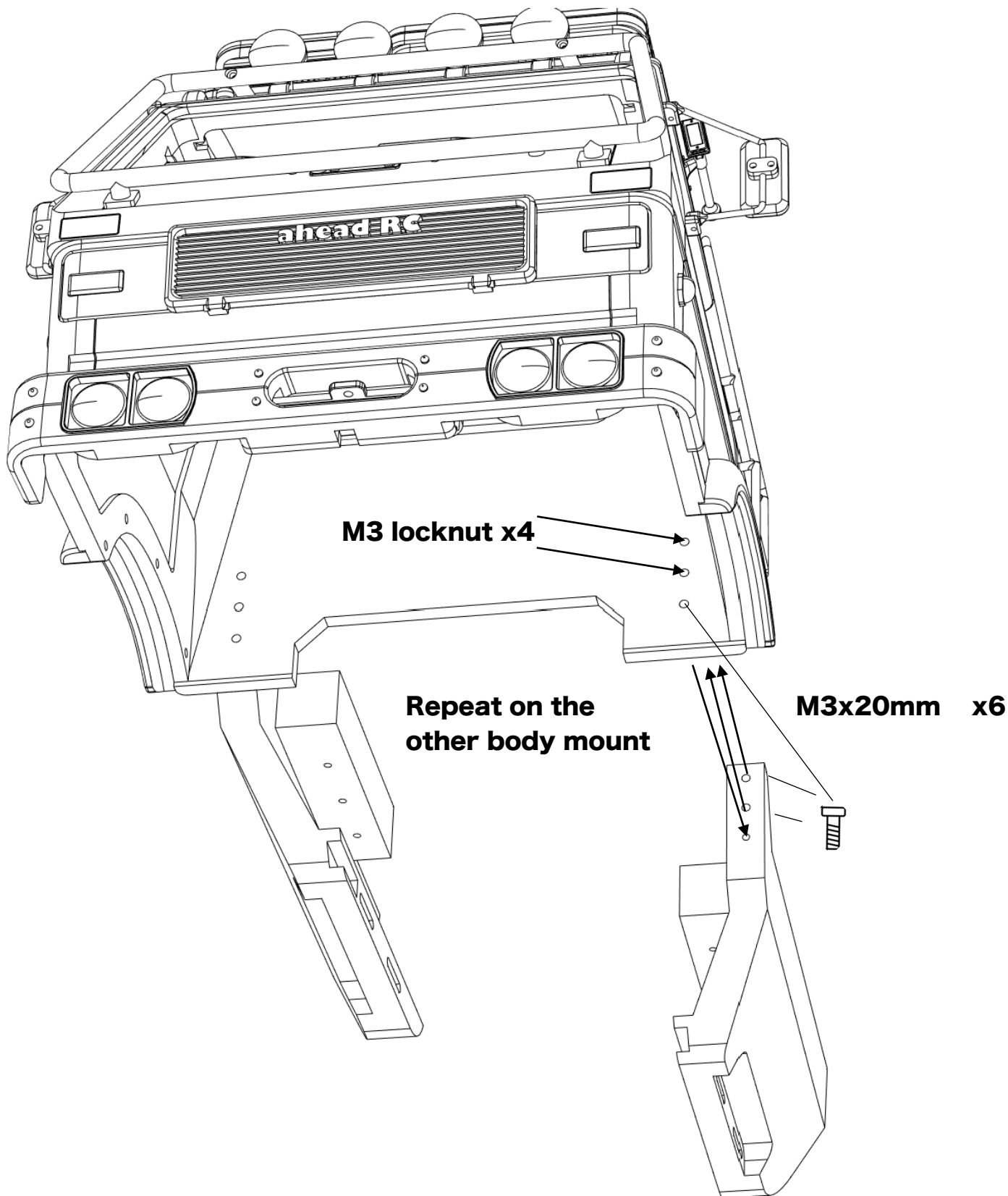
Assembling the doors

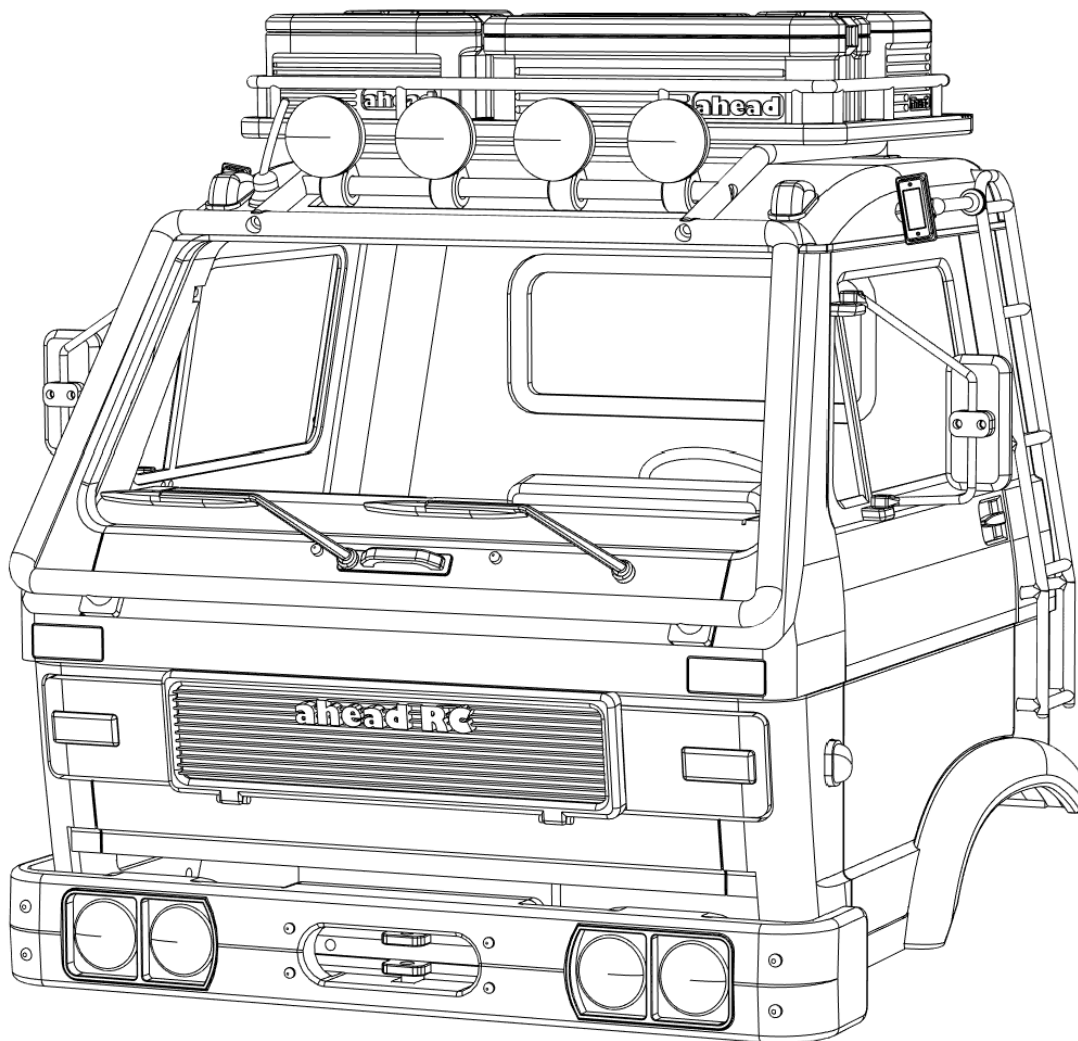


Please source your own hinges or use instant glue



Installing the body mounts





Body is now fully complete. Thank you for selecting ahead RC products.

If you have any questions or need help with the assembly, please do not hesitate to contact us at:

aheadrc@gmail.com

or visit us at:

www.aheadrc.com

Best of luck with your build!