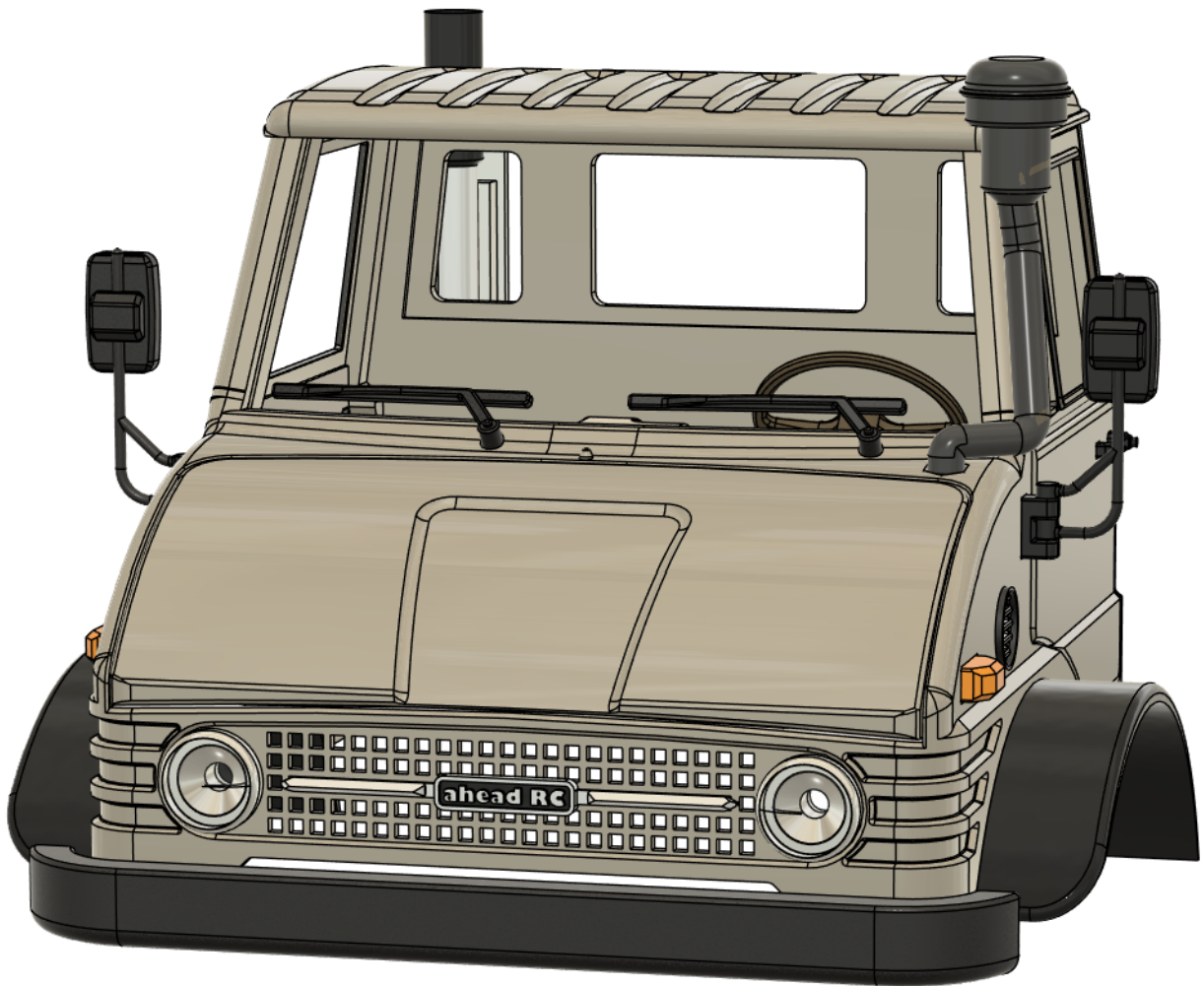


ahead RC Crawler Baby Bog 406 Single Cab TRX4M Assembly Manual



Required tools and hardware

Tools

- 1.5mm Hex Driver
- 2.0mm Hex Driver
- Needle Nosed Pliers
- Instant Glue
- Hot Glue

Electronics

- 3mm Orange LED x2
- 3mm White LED x2

Hardware

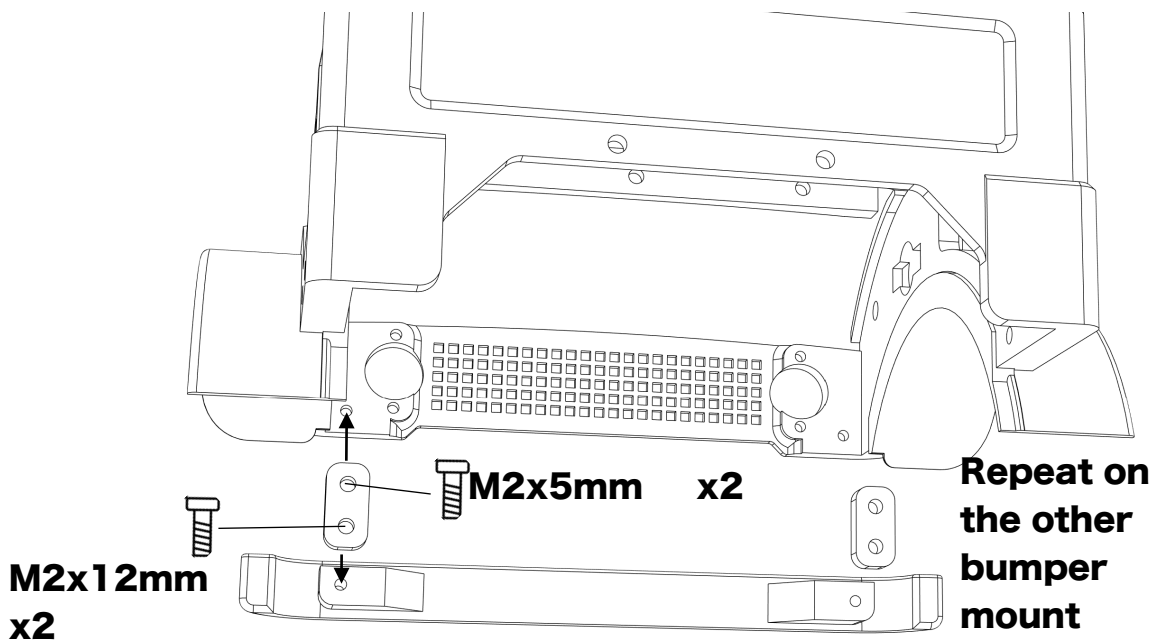
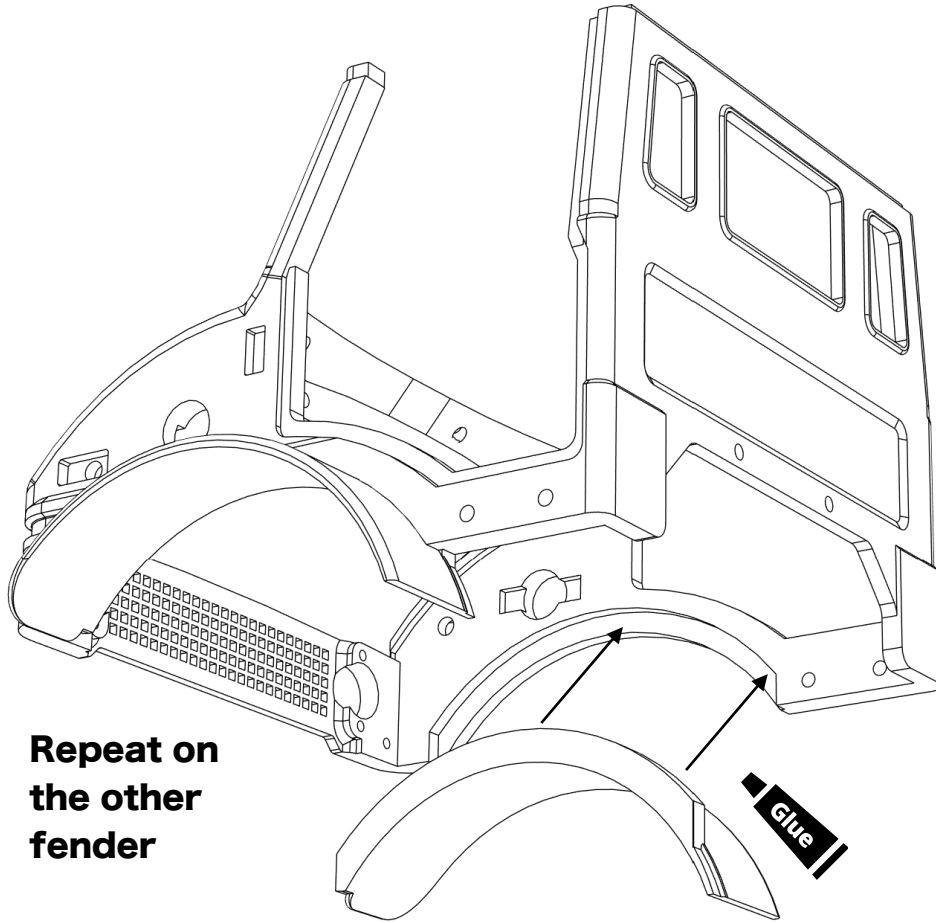
Hardware	Quantity	Check ✓
M2*5 Socket head	9	
M2*8 Socket head	31	
M2*10 Socket head	8	
M2*12 Socket head	4	
M2*15 Socket head	1	
M2.5*20 Socket head	4	
M2.5 Washer	4	

Before you begin

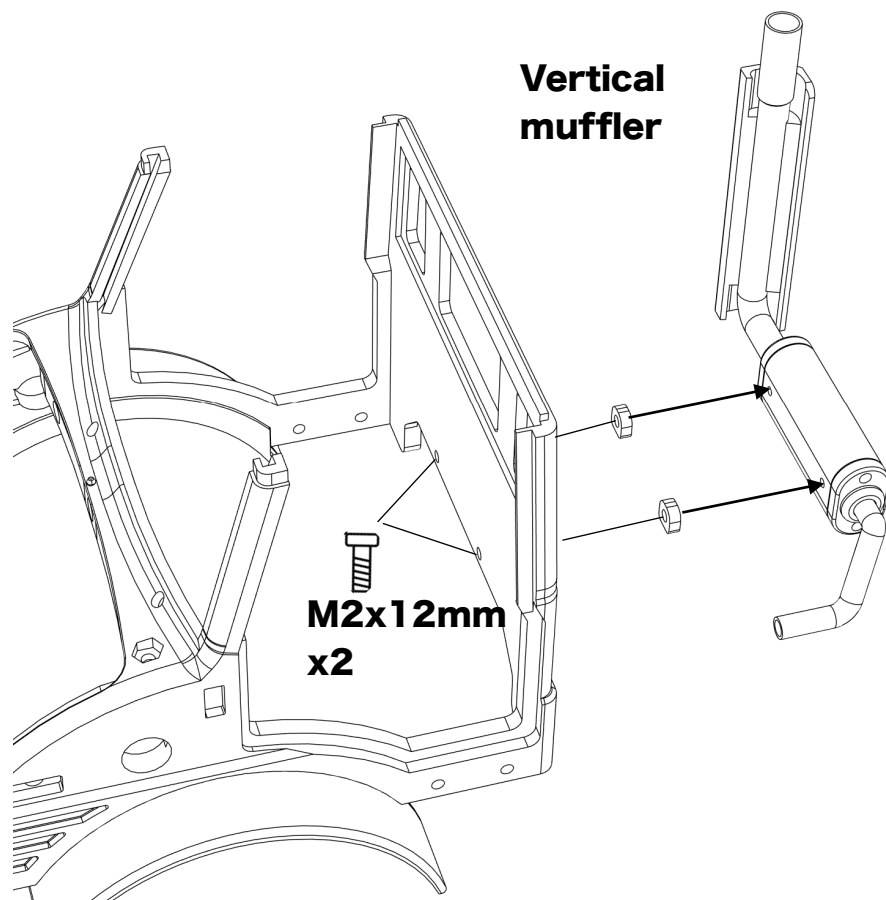
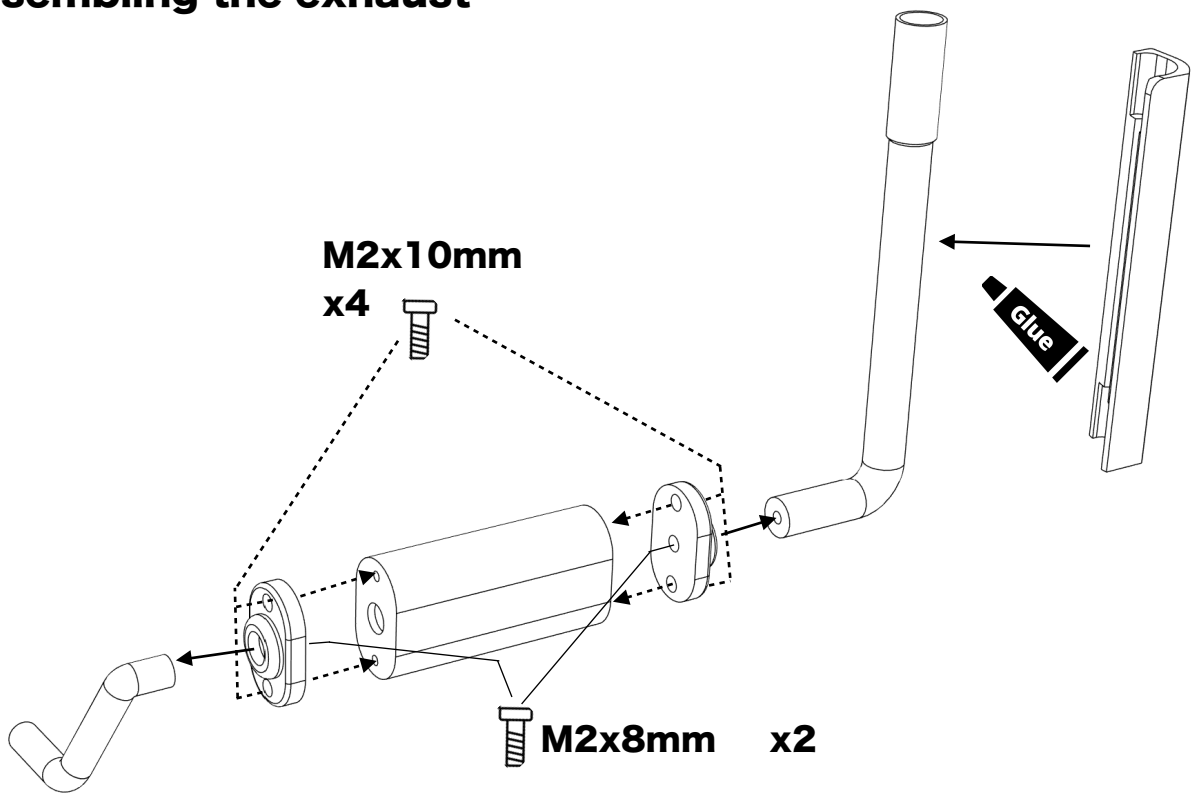
- Be sure to read through the manual and familiarise yourself with the instructions
- Visualise a plan to assemble all the pieces
- Make sure you have all of the hardware and tools
- Be sure to have enough instant glue
- Dry fit all parts before painting and assembling

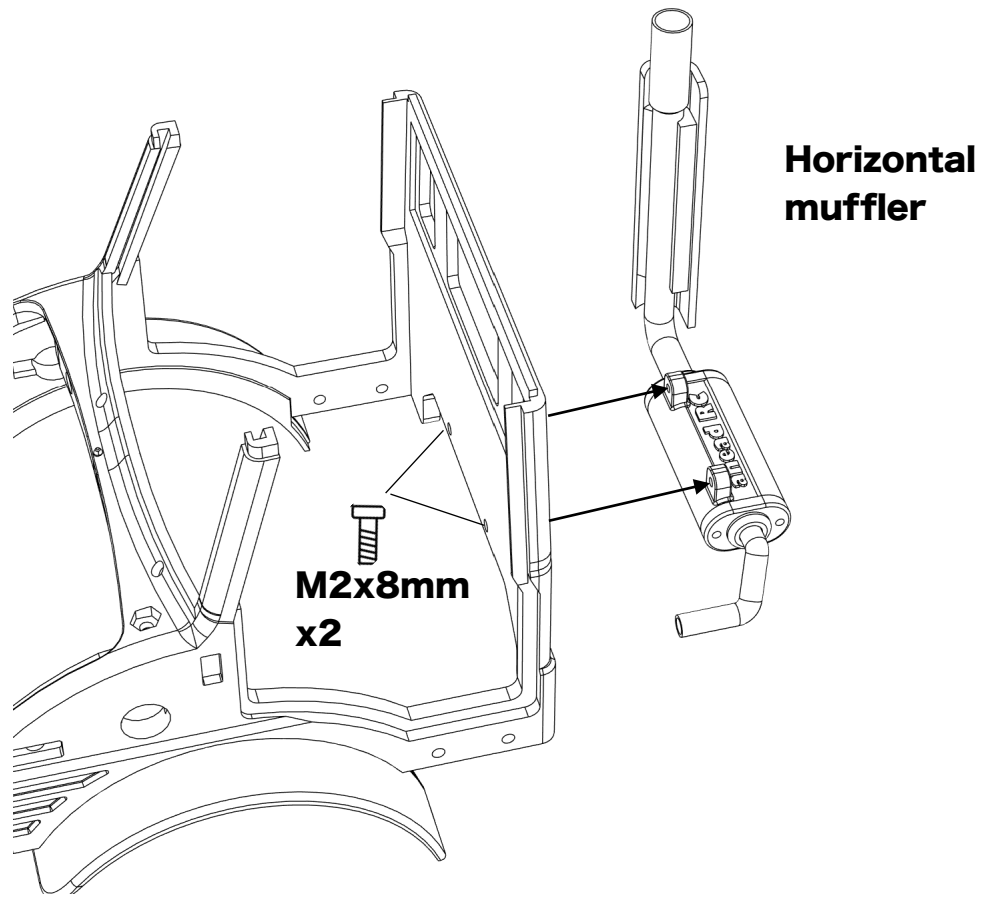
Tip: It will help to paint all of the parts before final assembly

Assembling the cab with fenders and bumper

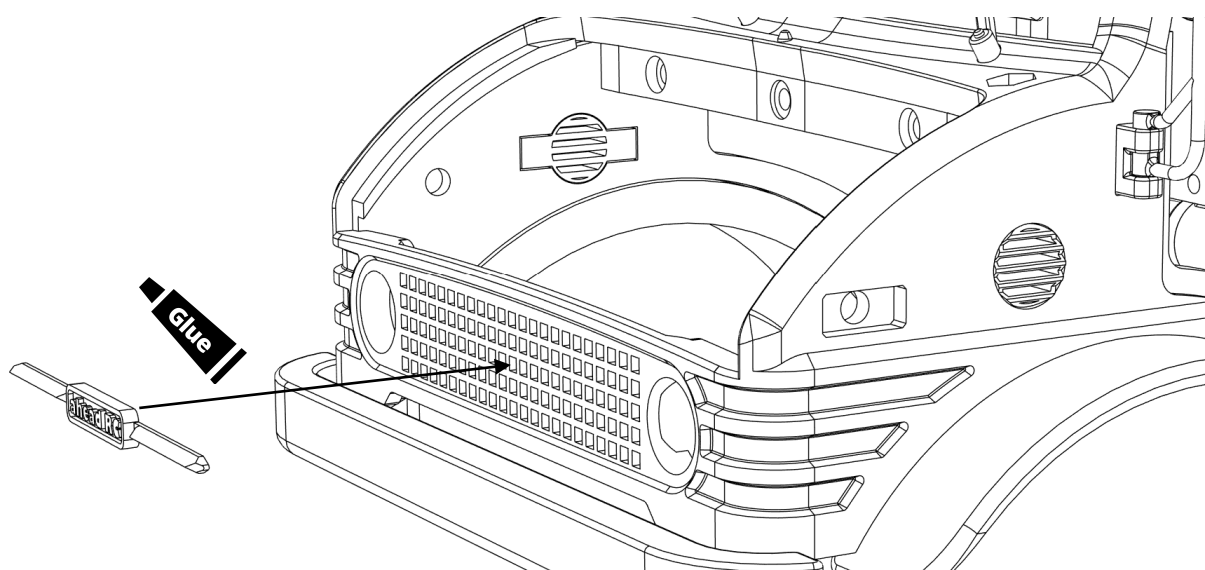
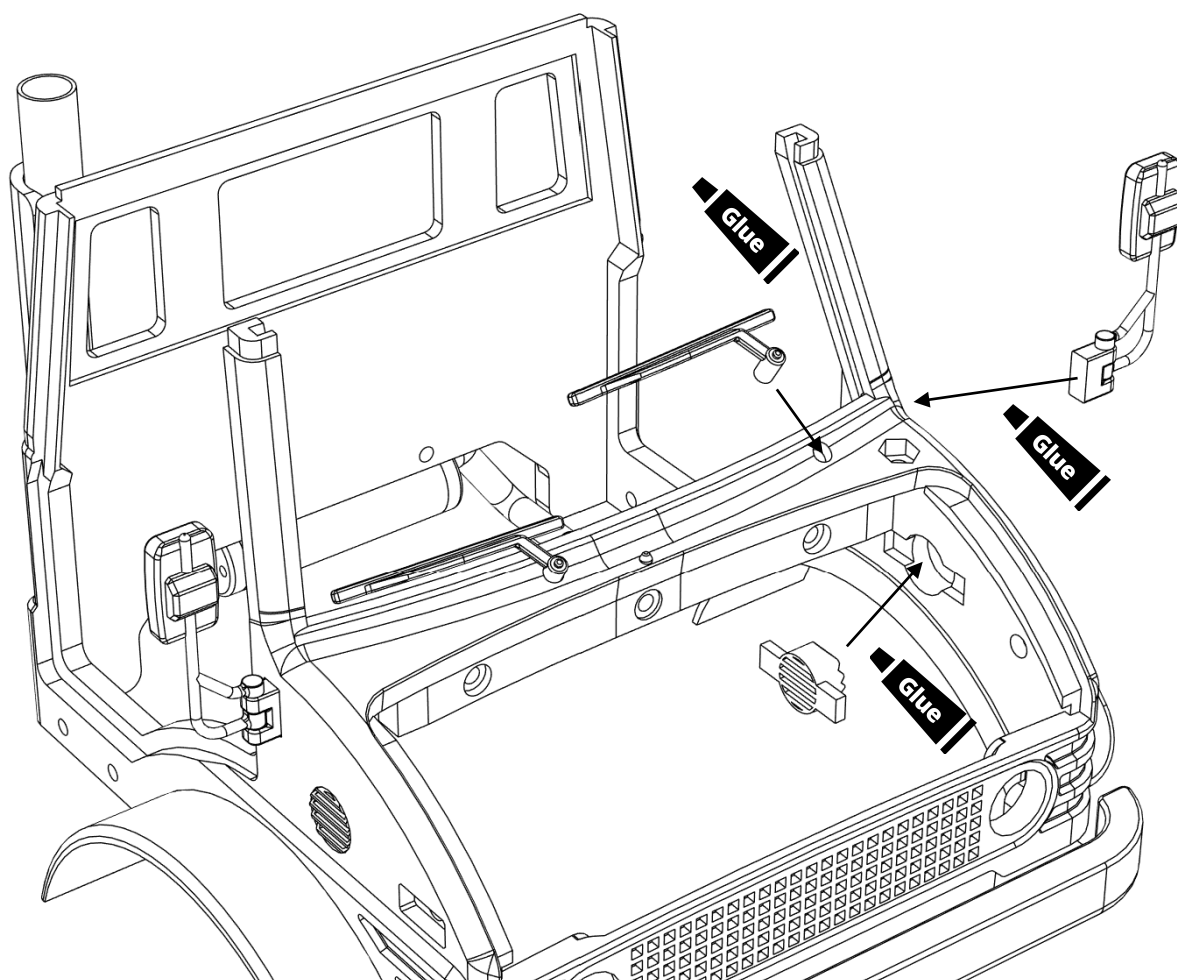


Assembling the exhaust

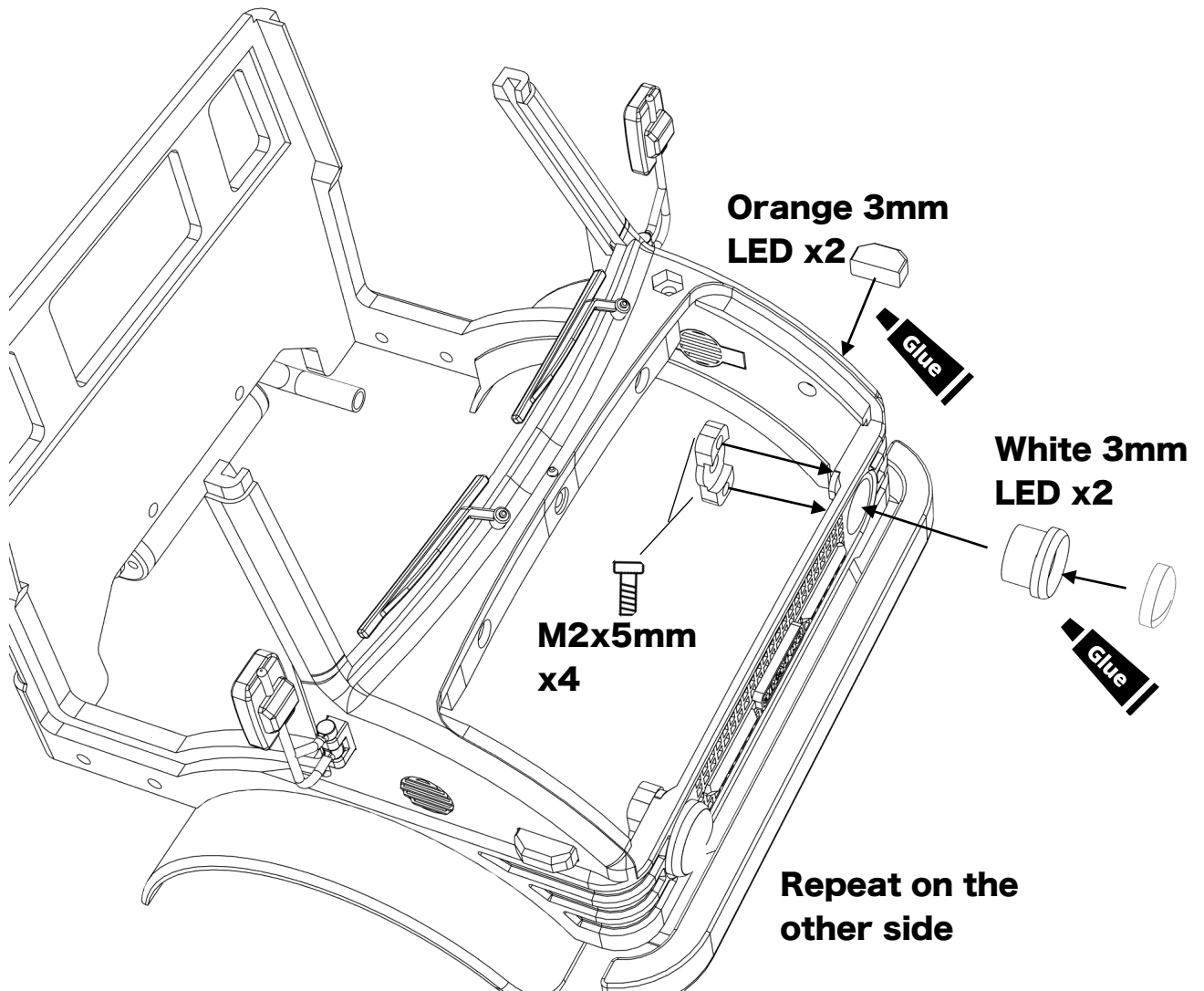




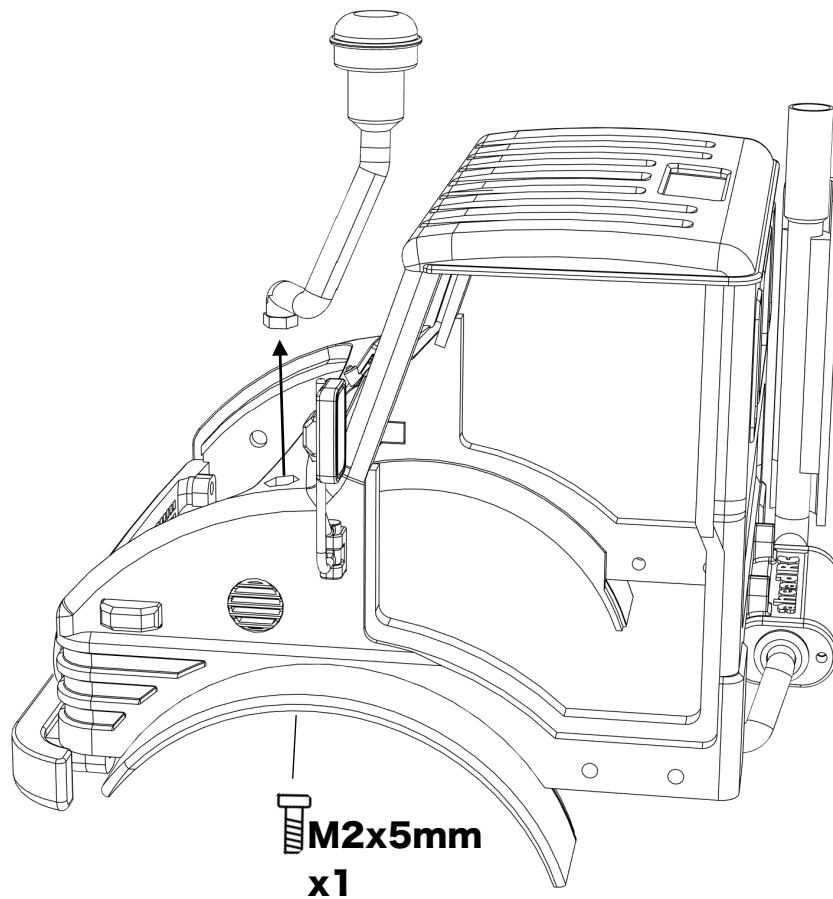
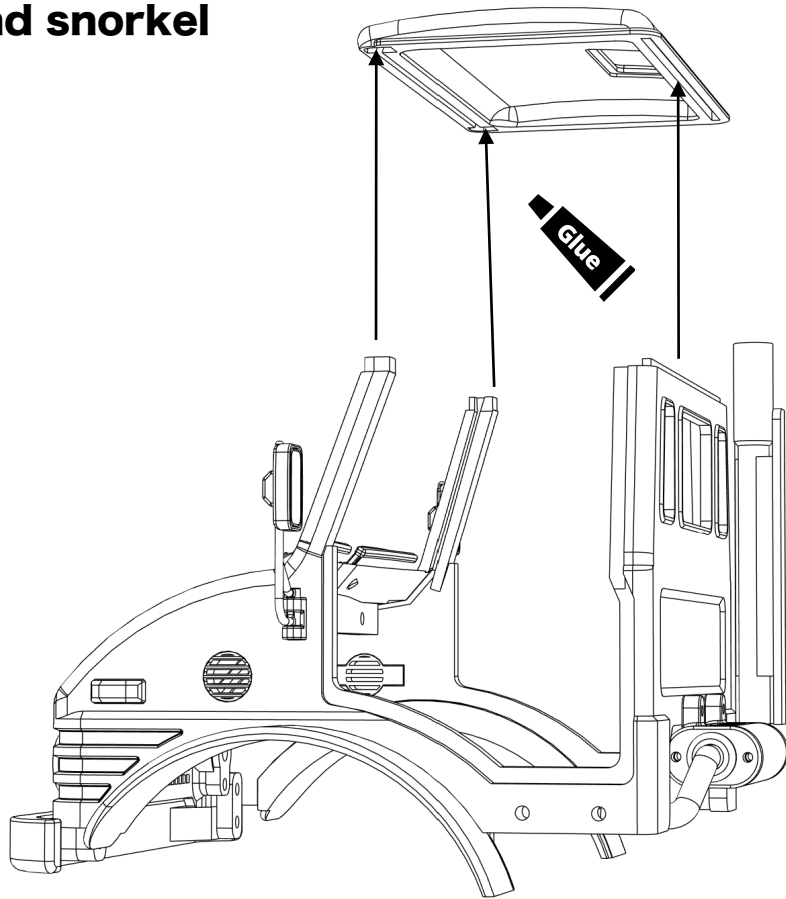
Adding the details



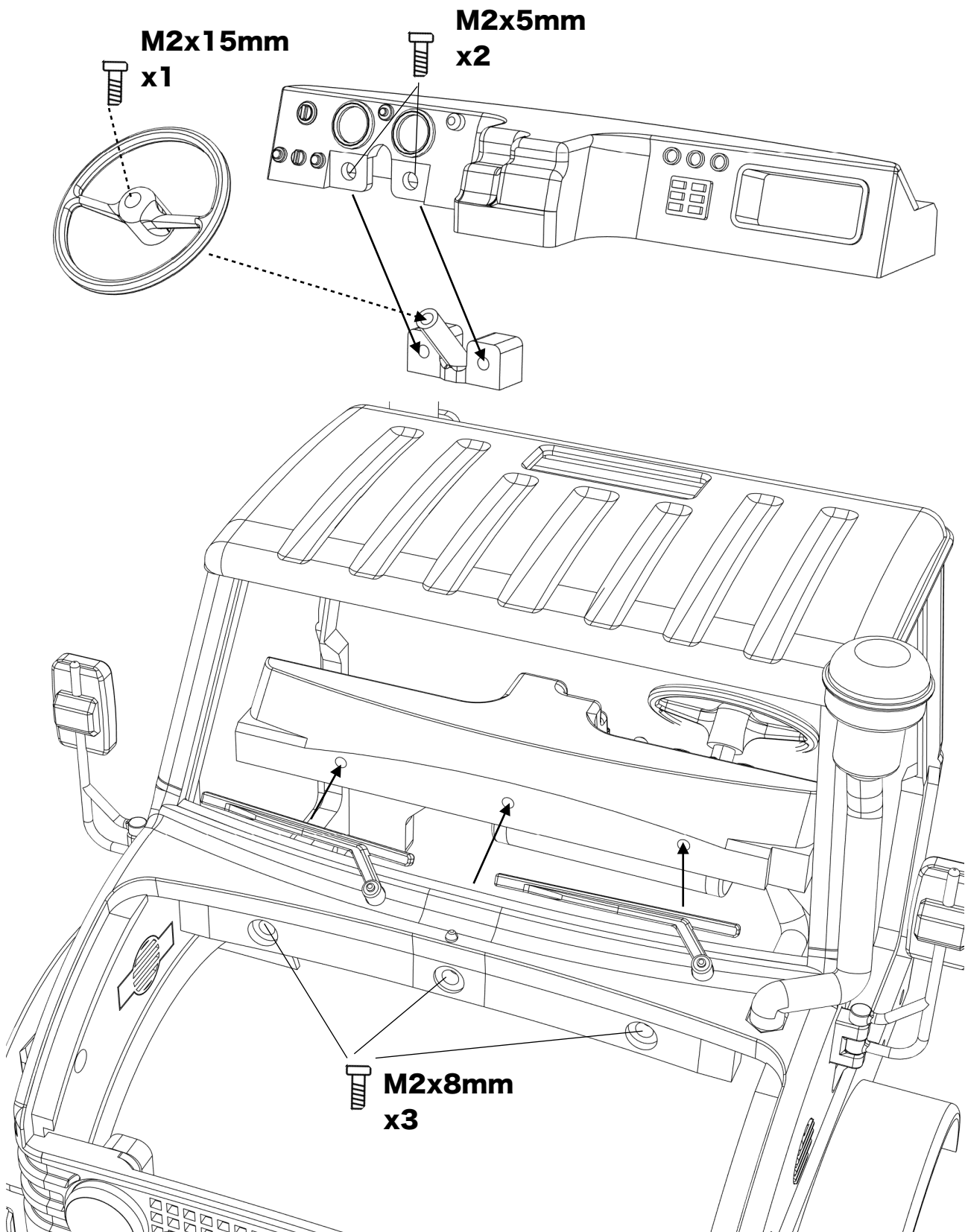
Assembling the lights



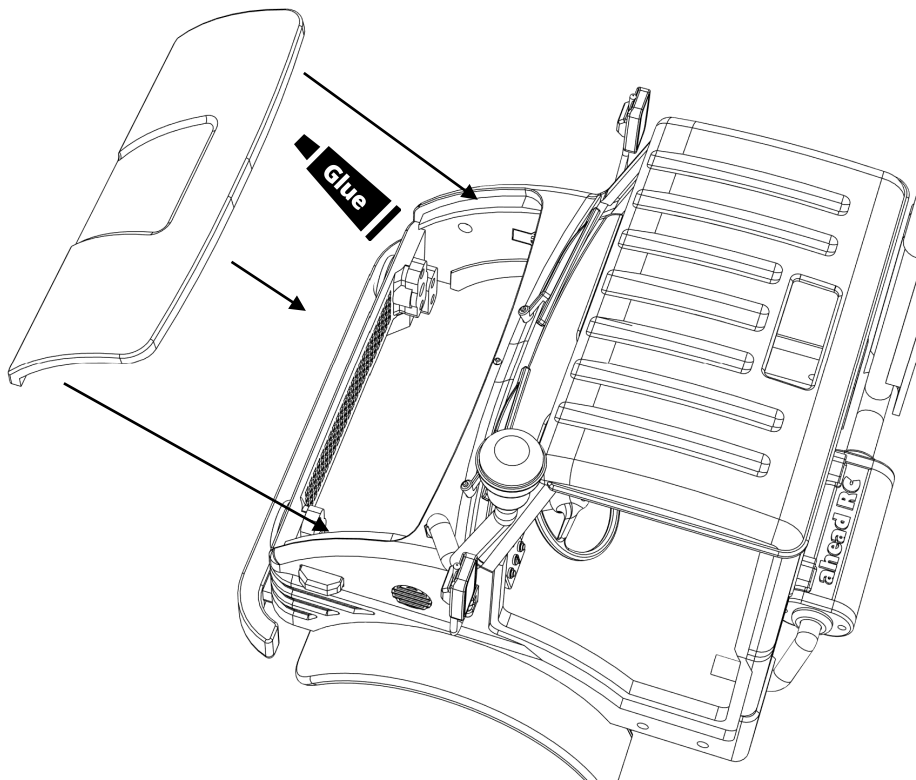
Installing the roof and snorkel



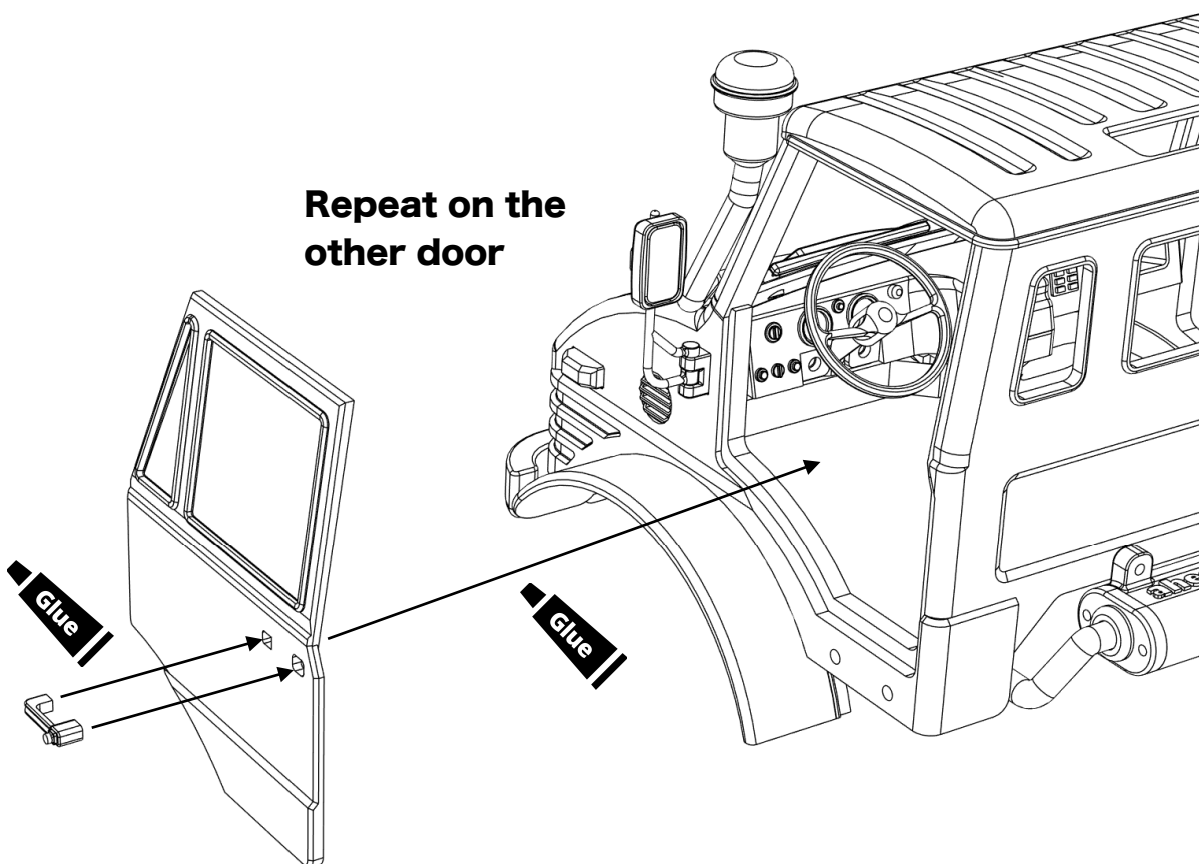
Assembling the dashboard



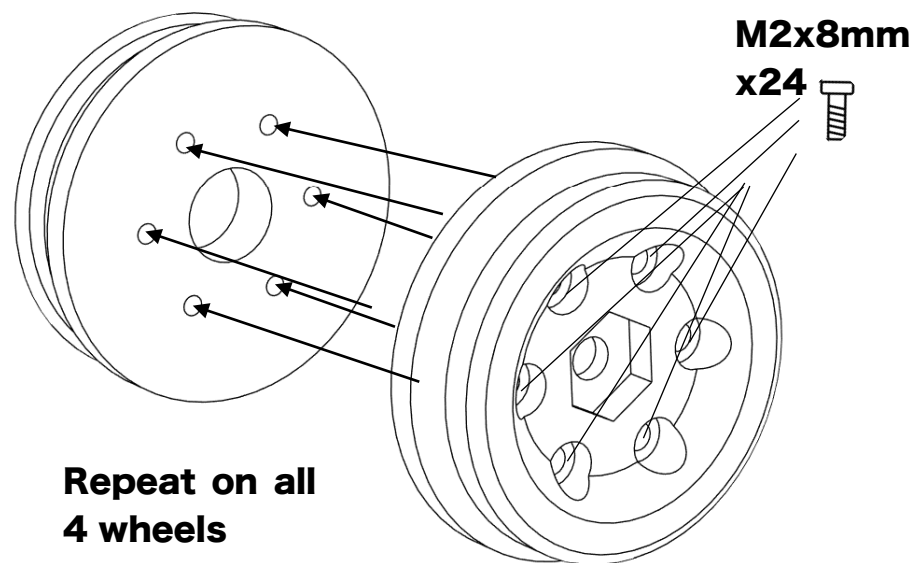
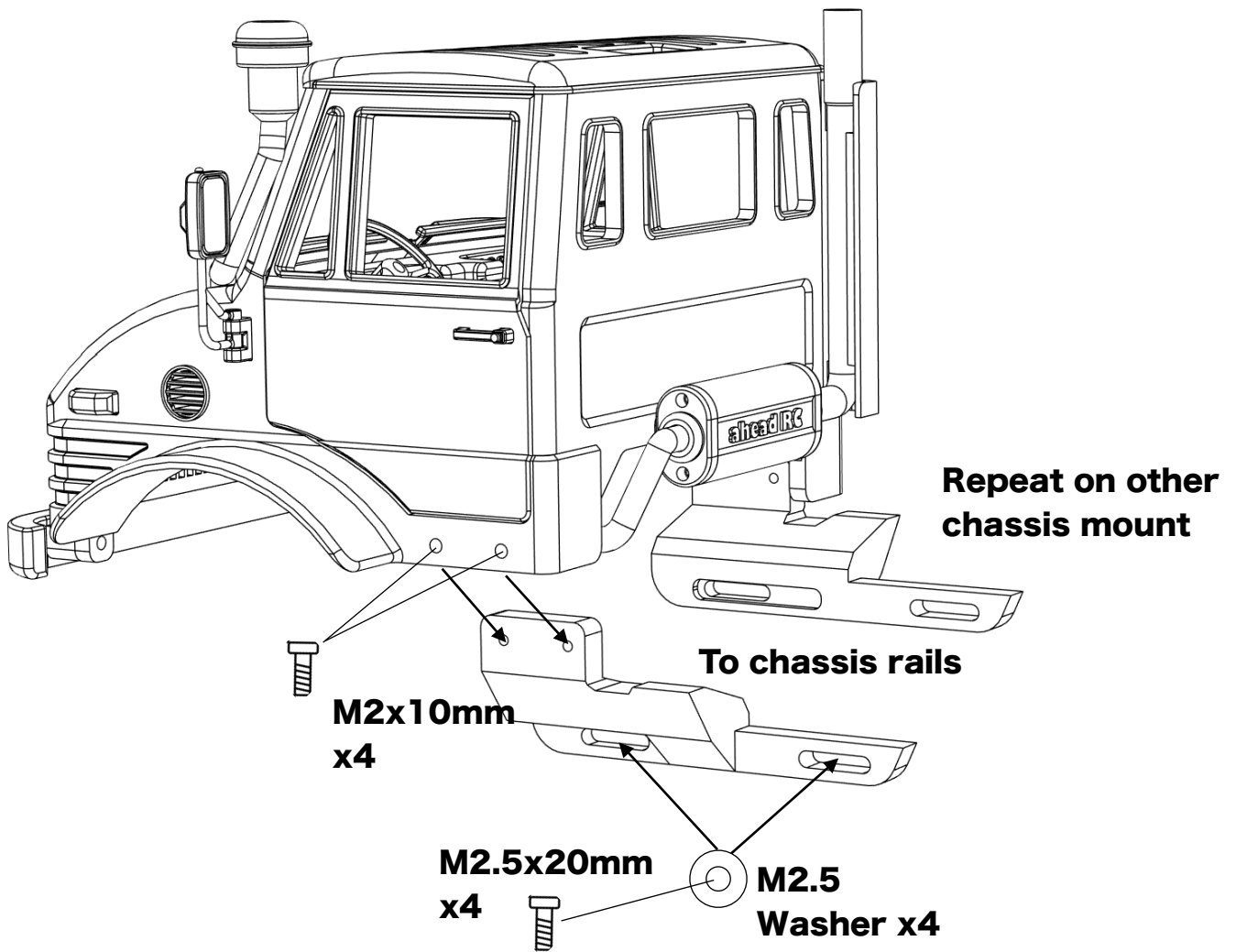
Installing the bonnet and assembling the door



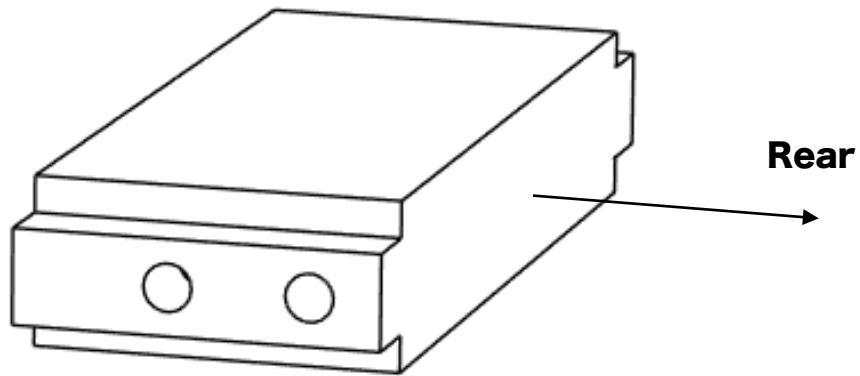
Repeat on the other door



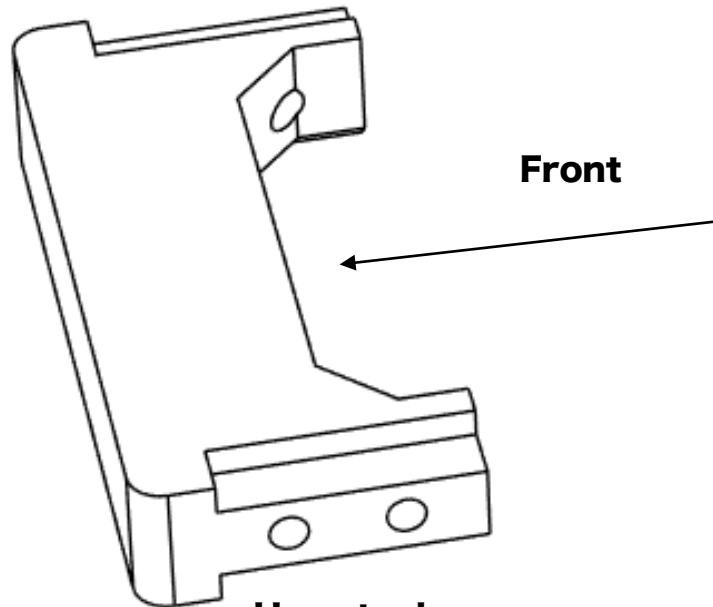
Installing the body mounts and assembling the wheels



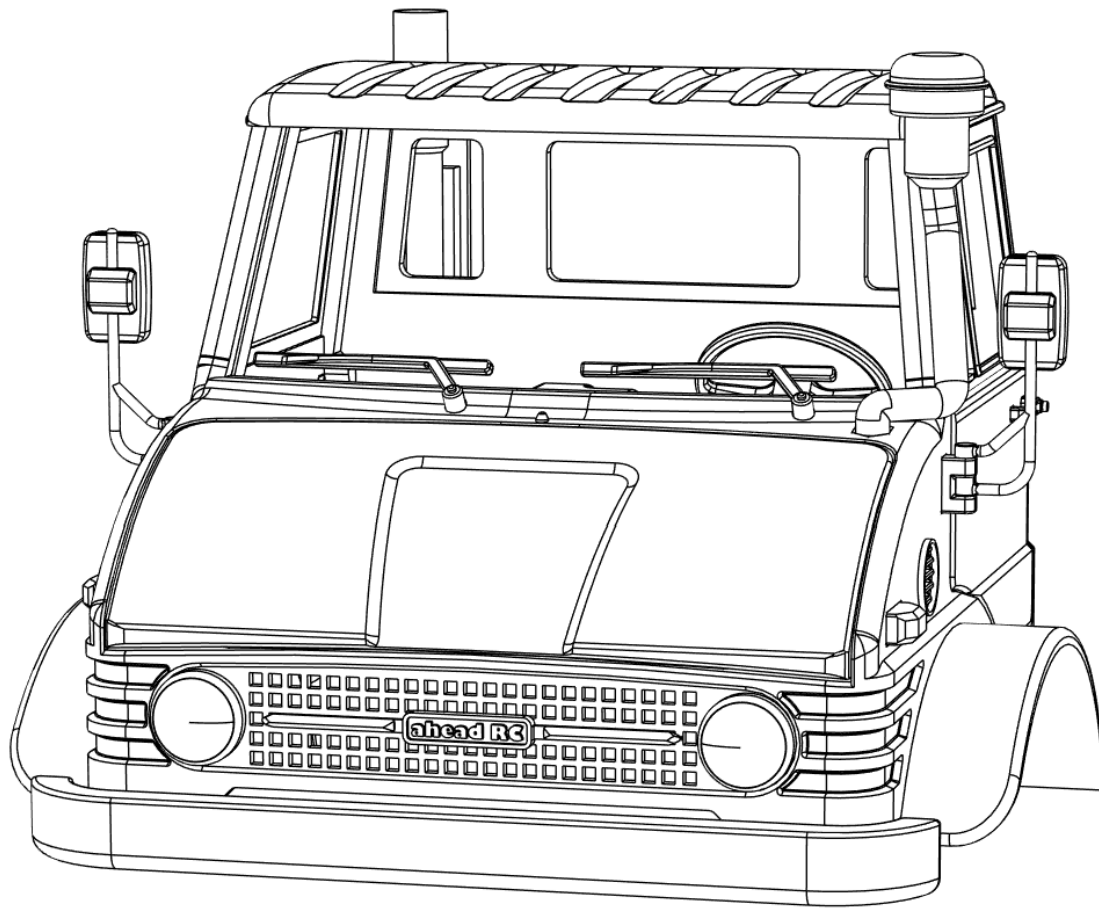
Replacing and installing the front and rear chassis brace



**Use stock
screws**



**Use stock
screws**



Body is now fully complete. Thank you for selecting ahead RC products.

If you have any questions or need help with the assembly, please do not hesitate to contact us at:

aheadrc@gmail.com

or visit us at:

www.aheadrc.com

Best of luck with your build!