

ahead RC Crawler Kei Cab Assembly Manual



Required tools and hardware

Tools

- 1.5mm Hex Driver
- 2.0mm Hex Driver
- 2.5mm Hex Driver
- Needle Nosed Pliers
- Instant Glue

Electronics

- 5mm White LED x2

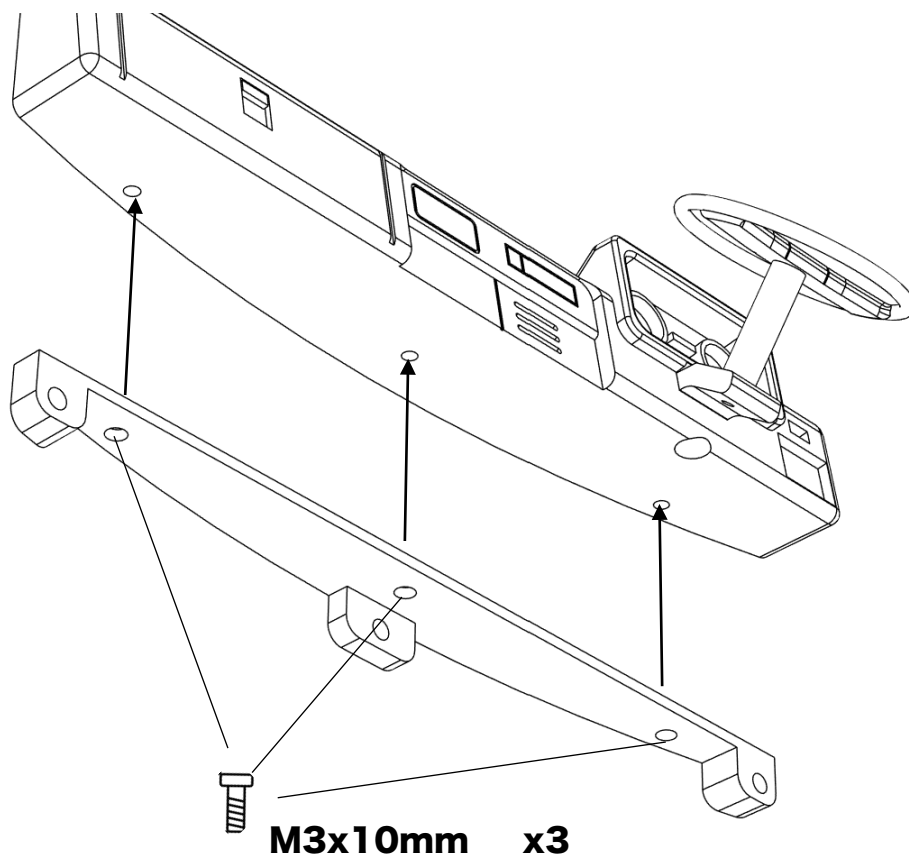
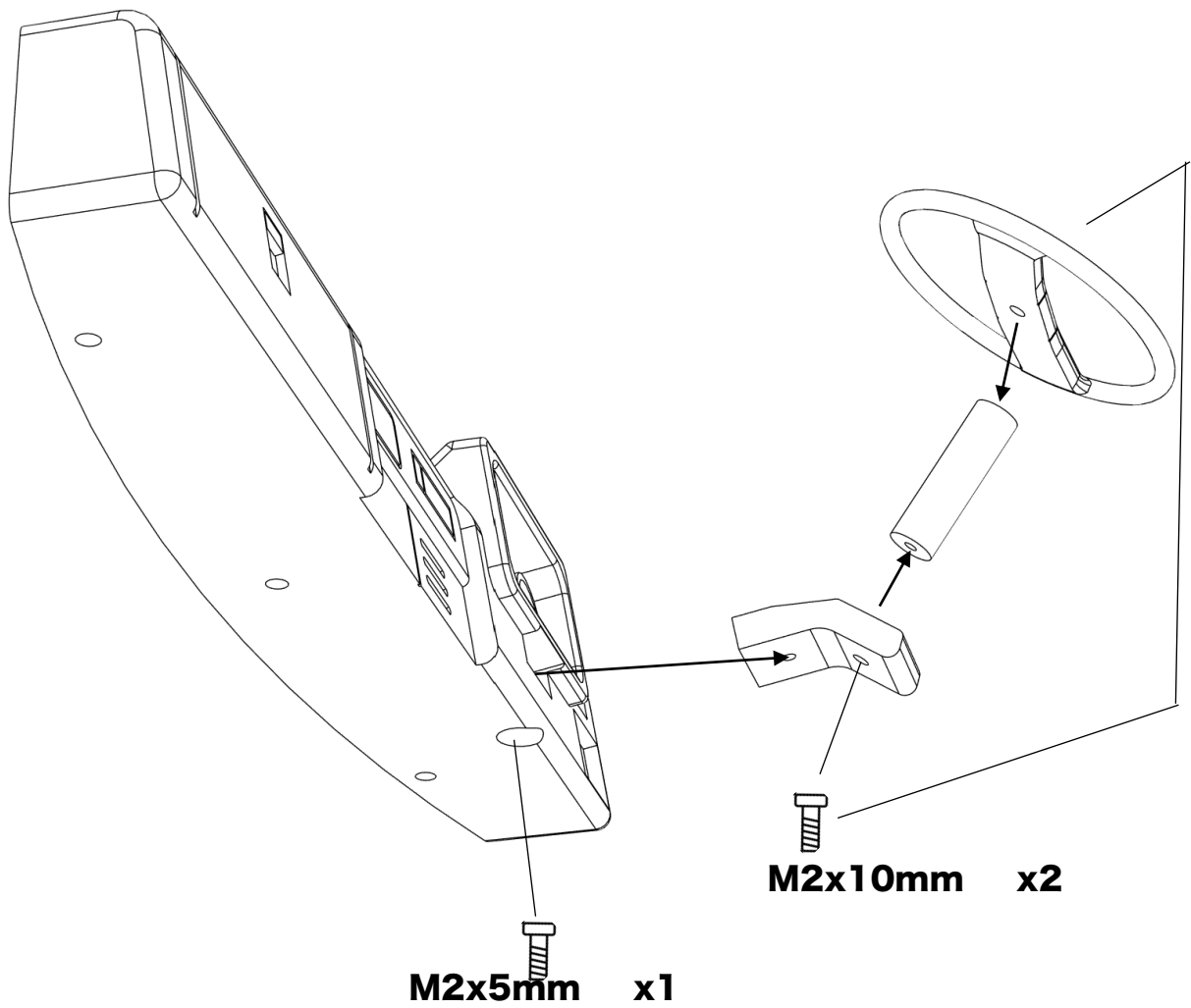
Hardware

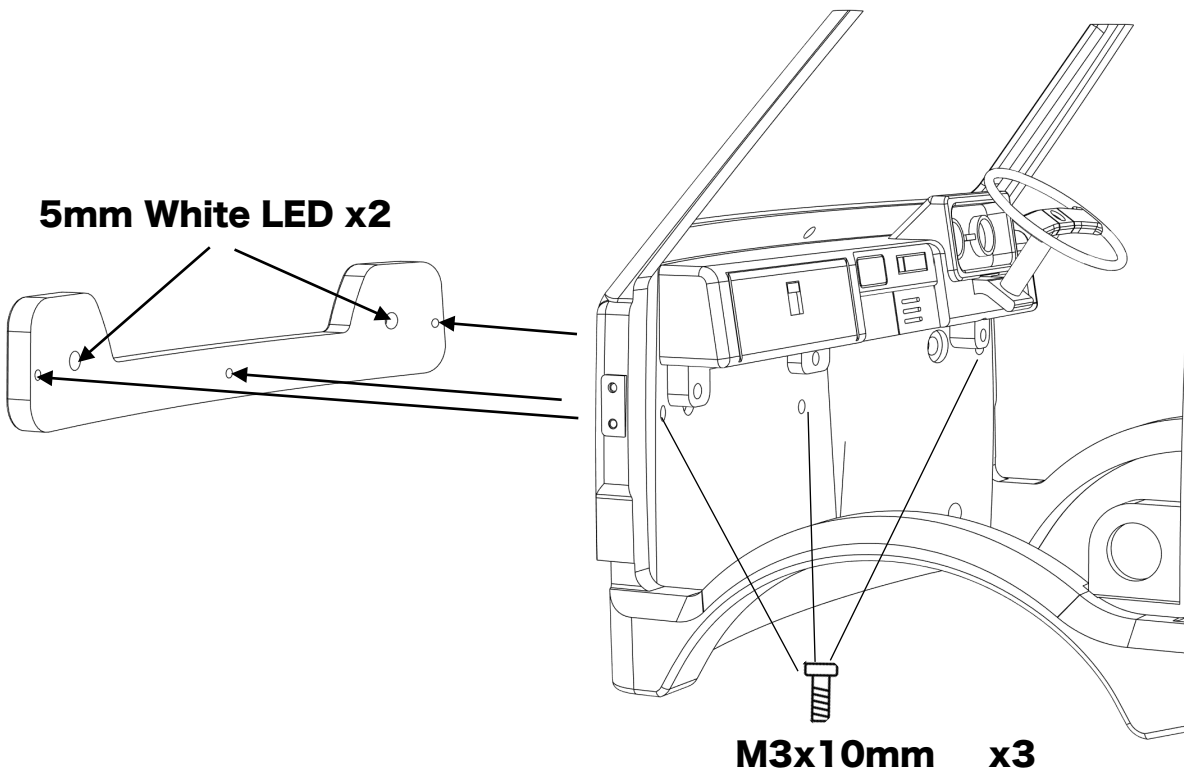
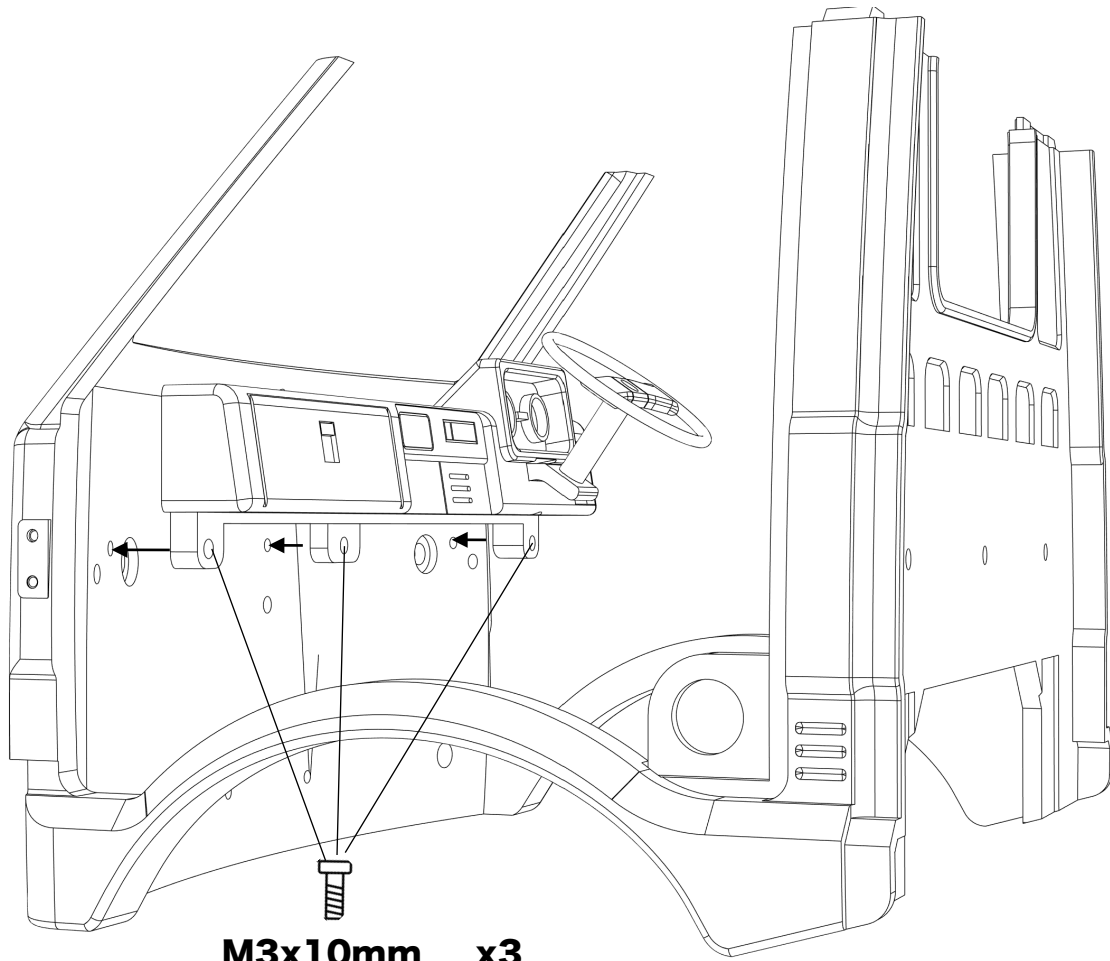
| Hardware | Quantity | Check ✓ |
|------------------------|----------|------------|
| M2*5 Socket head | 1 | |
| M2*8 Socket head | 10 | |
| M2*10 Socket head | 6 | |
| M3*10 Socket head | 9 | |
| M3*15 Countersunk (CS) | 4 | |
| 12x2mm magnet | 4 | |

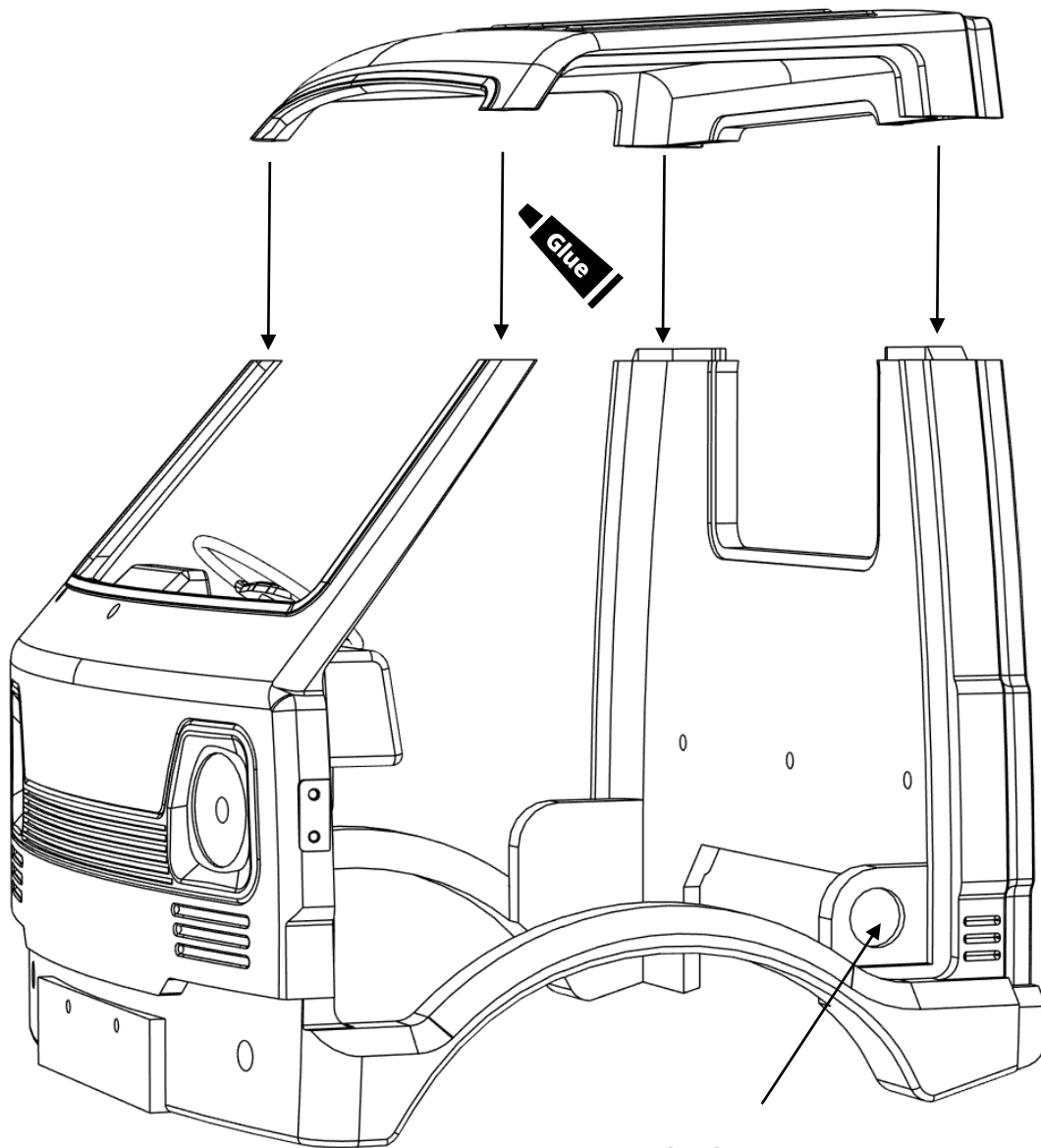
Before you begin

- Be sure to read through the manual and familiarise yourself with the instructions
- Visualise a plan to assemble all the pieces
- Make sure you have all of the hardware and tools
- Be sure to have enough instant glue
- Dry fit all parts before painting and assembling

Tip: It will help to paint all of the parts before final assembly

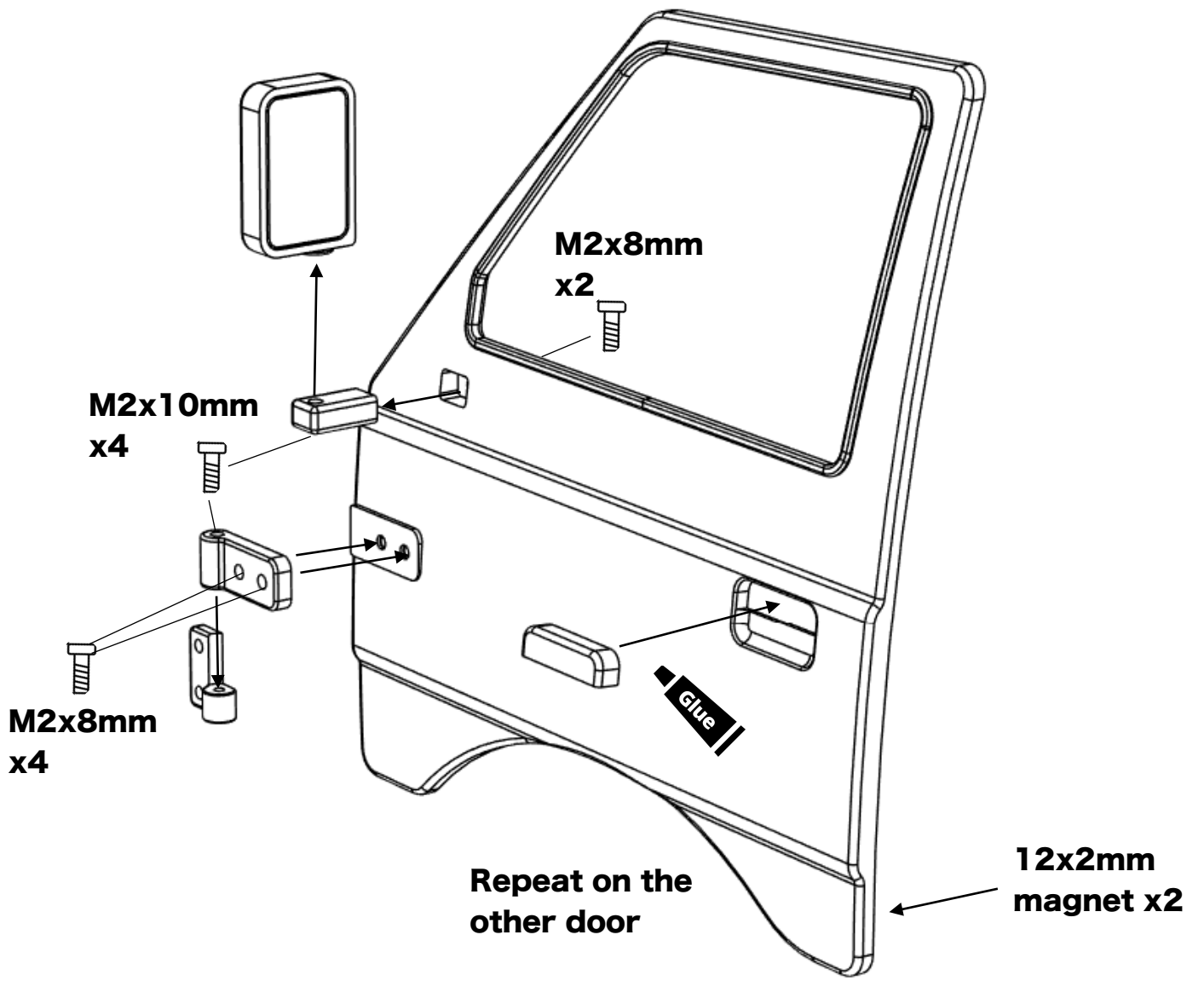


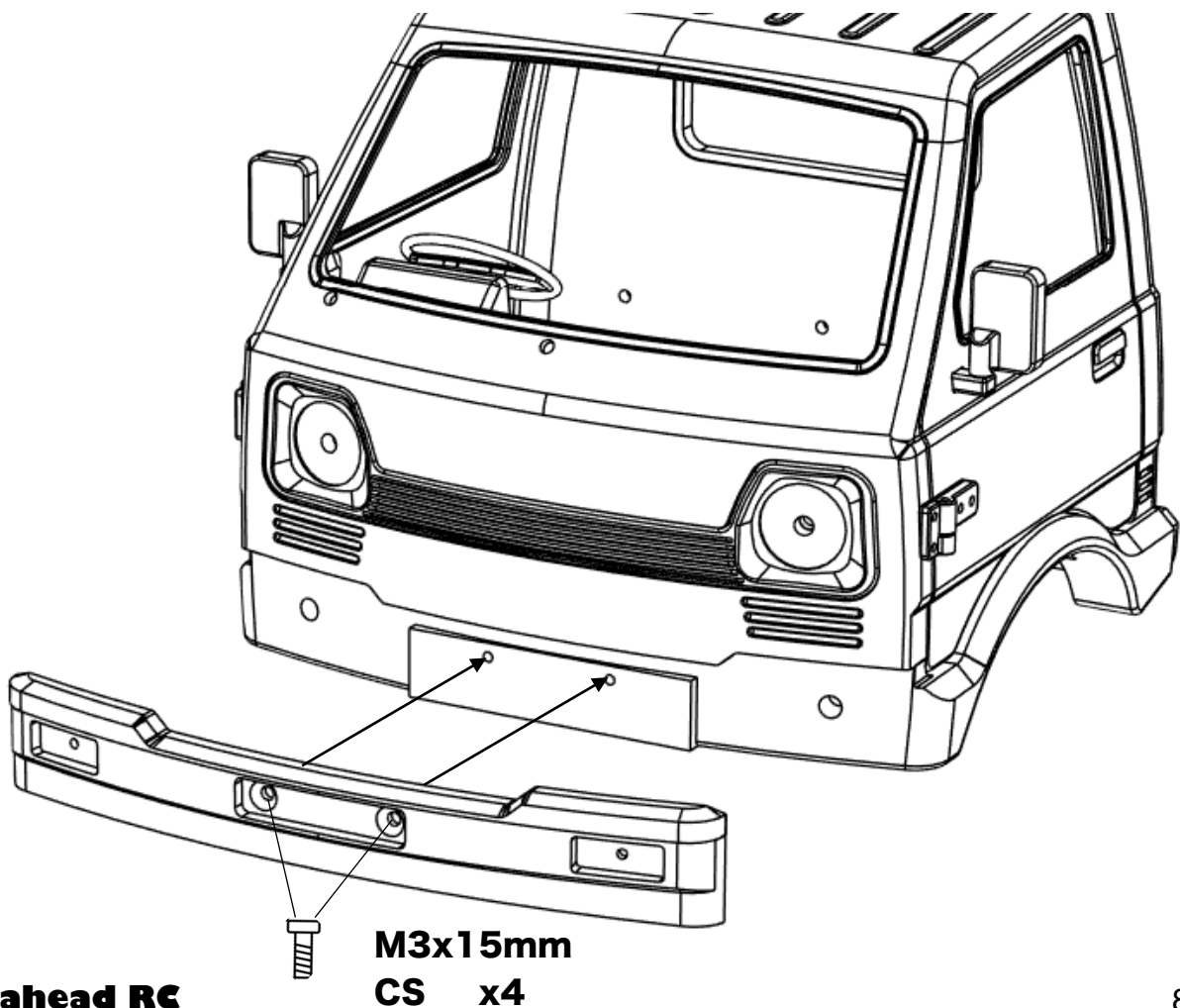
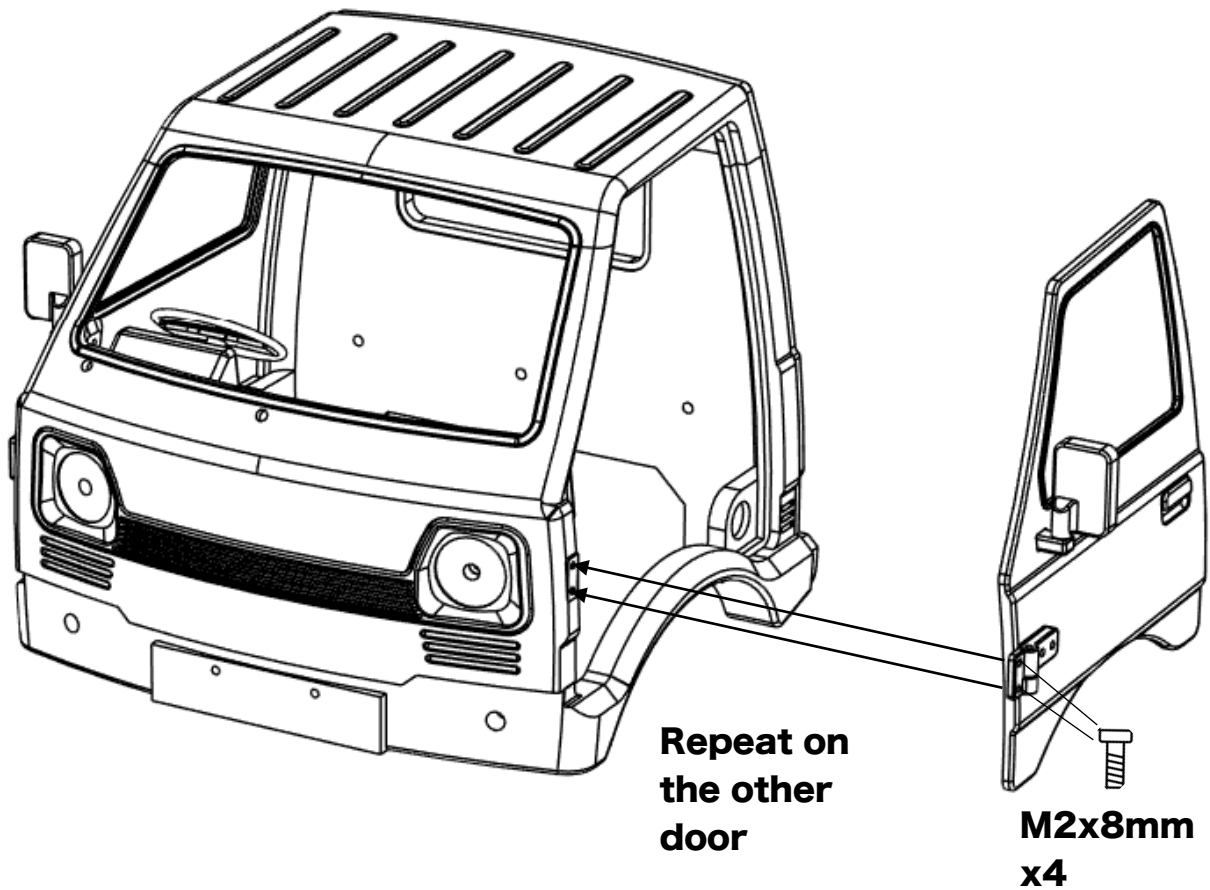




**12x2mm
magnet x2**

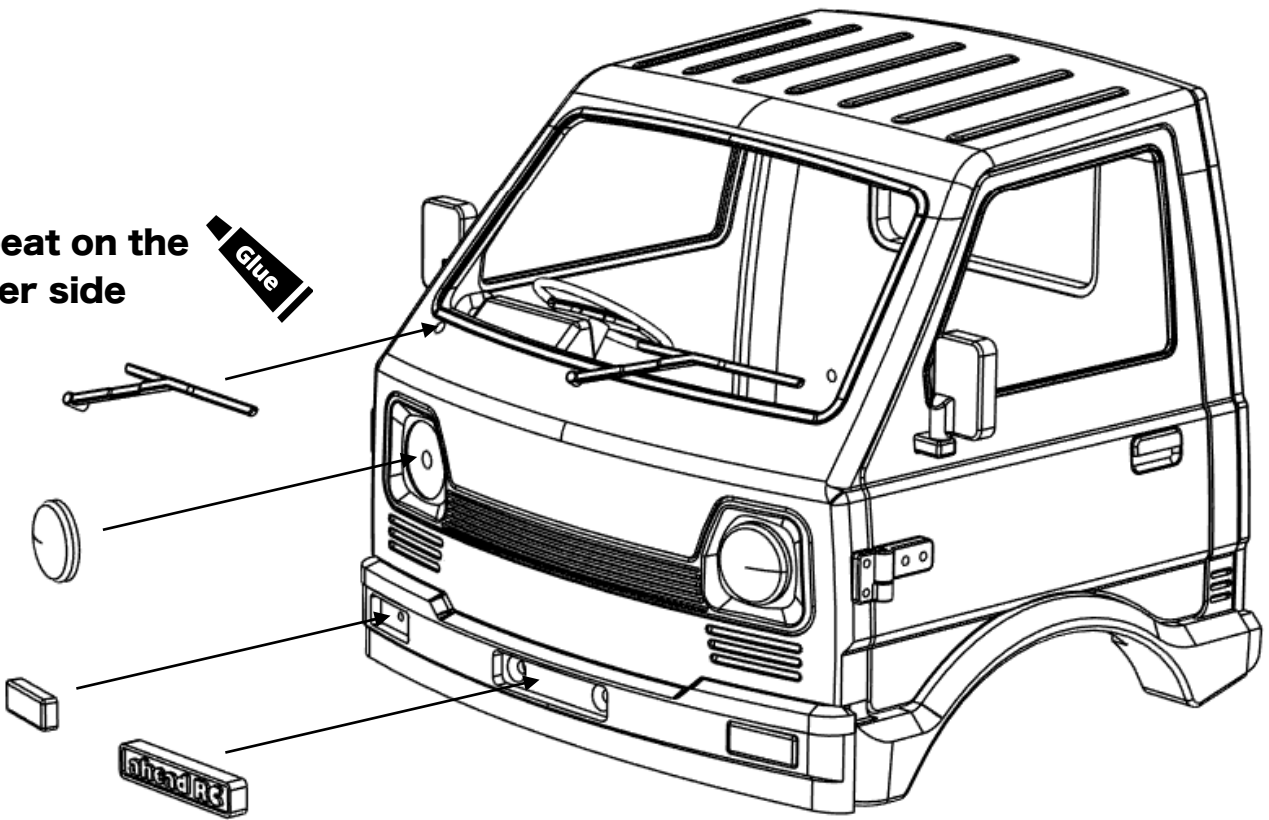
**Repeat on the
other side**





repeat on the
other side

Glue





Body is now fully complete. Thank you for selecting ahead RC products.

If you have any questions or need help with the assembly, please do not hesitate to contact us at:

aheadrc@gmail.com

or visit us at:

www.aheadrc.com

Hope you enjoy the build!