

ahead RC Crawler TGA

Front Cab

Assembly Manual



Required tools and hardware

Tools

- 1.5mm Hex Driver
- 2.0mm Hex Driver
- 2.5mm Hex Driver
- Needle Nosed Pliers
- Instant Glue
- Hot Glue

Electronics

- 5mm White LED x4
- 3mm Orange LED x2

Hardware

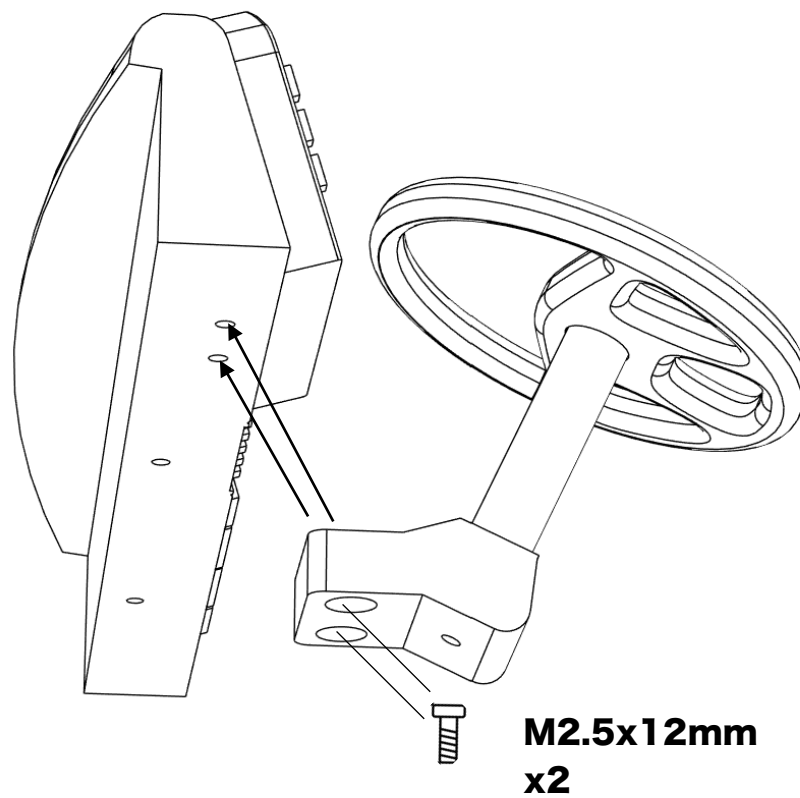
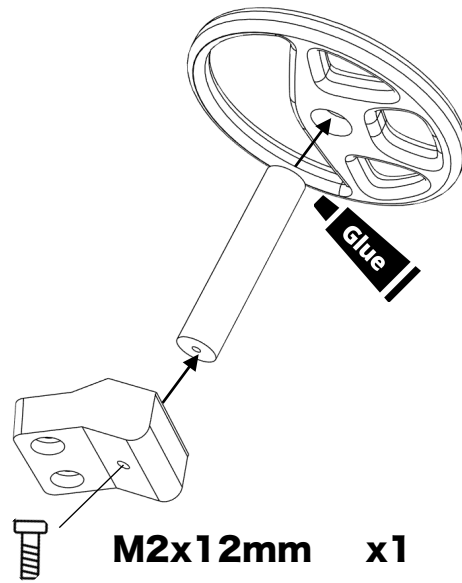
Hardware	Quantity	Check √
M2*8 Socket head	2	
M2*12 Socket head	3	
M2.5*12 Socket head	6	
M3*10 Socket head	4	
M3*15 Socket head	6	
M3*20 Socket head	2	
M3*30 Socket head	2	
M3 Washer	4	

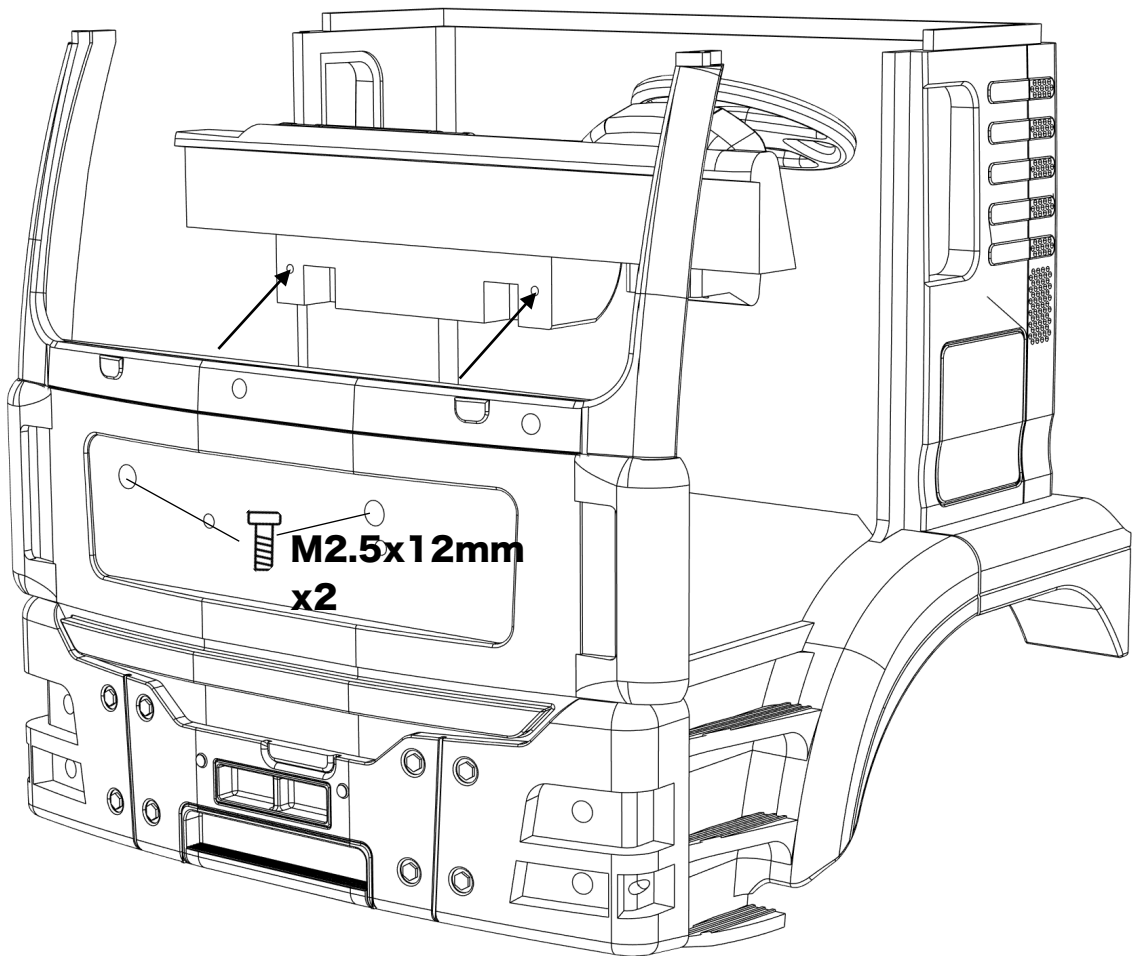
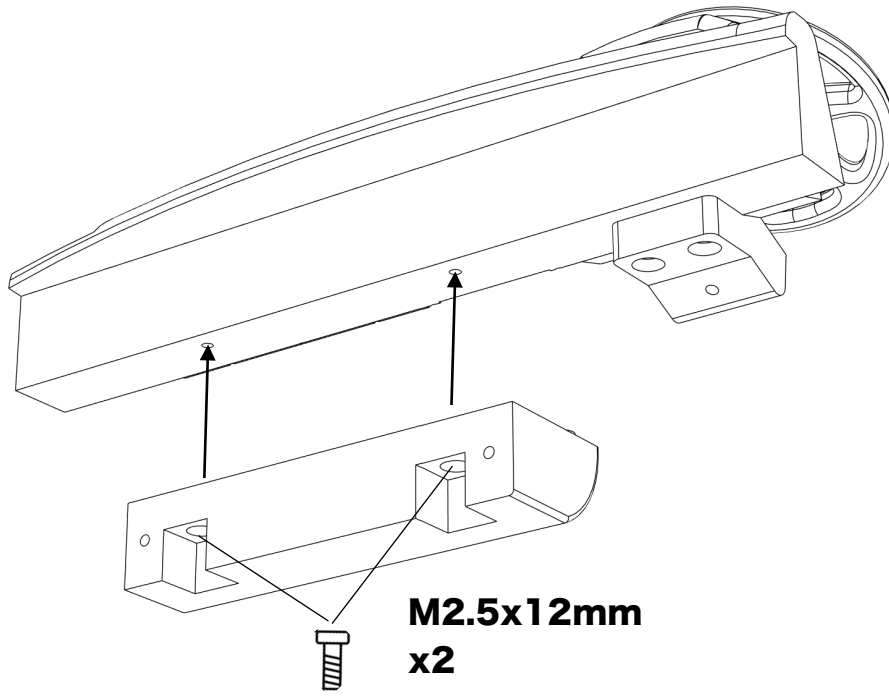
Before you begin

- Be sure to read through the manual and familiarise yourself with the instructions
- Visualise a plan to assemble all the pieces
- Make sure you have all of the hardware and tools
- Be sure to have enough instant glue
- Dry fit all parts before painting and assembling

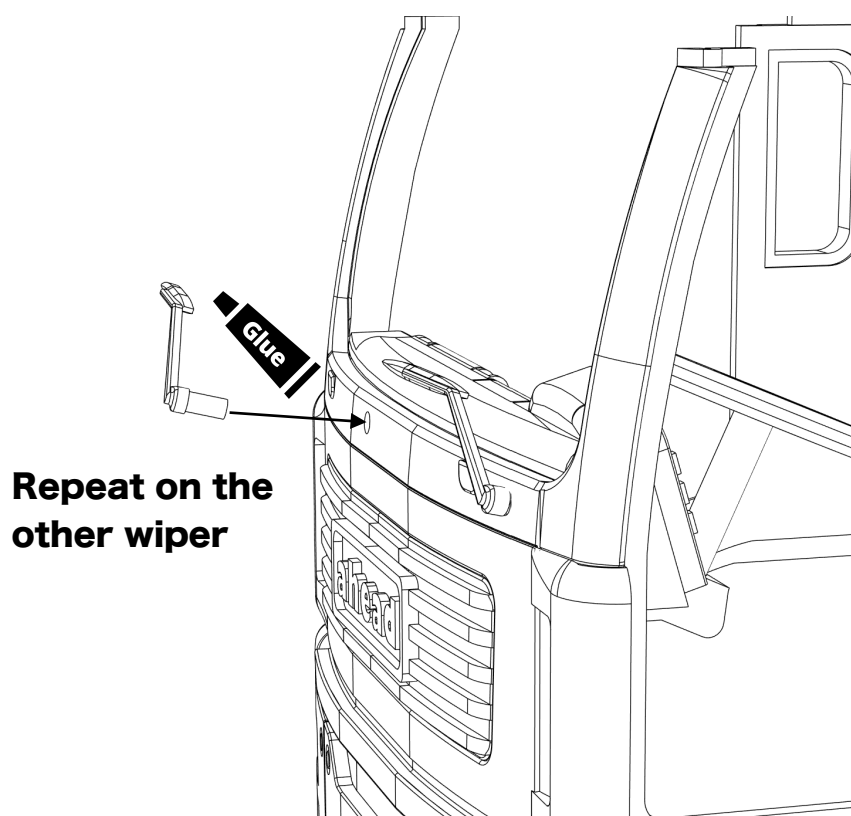
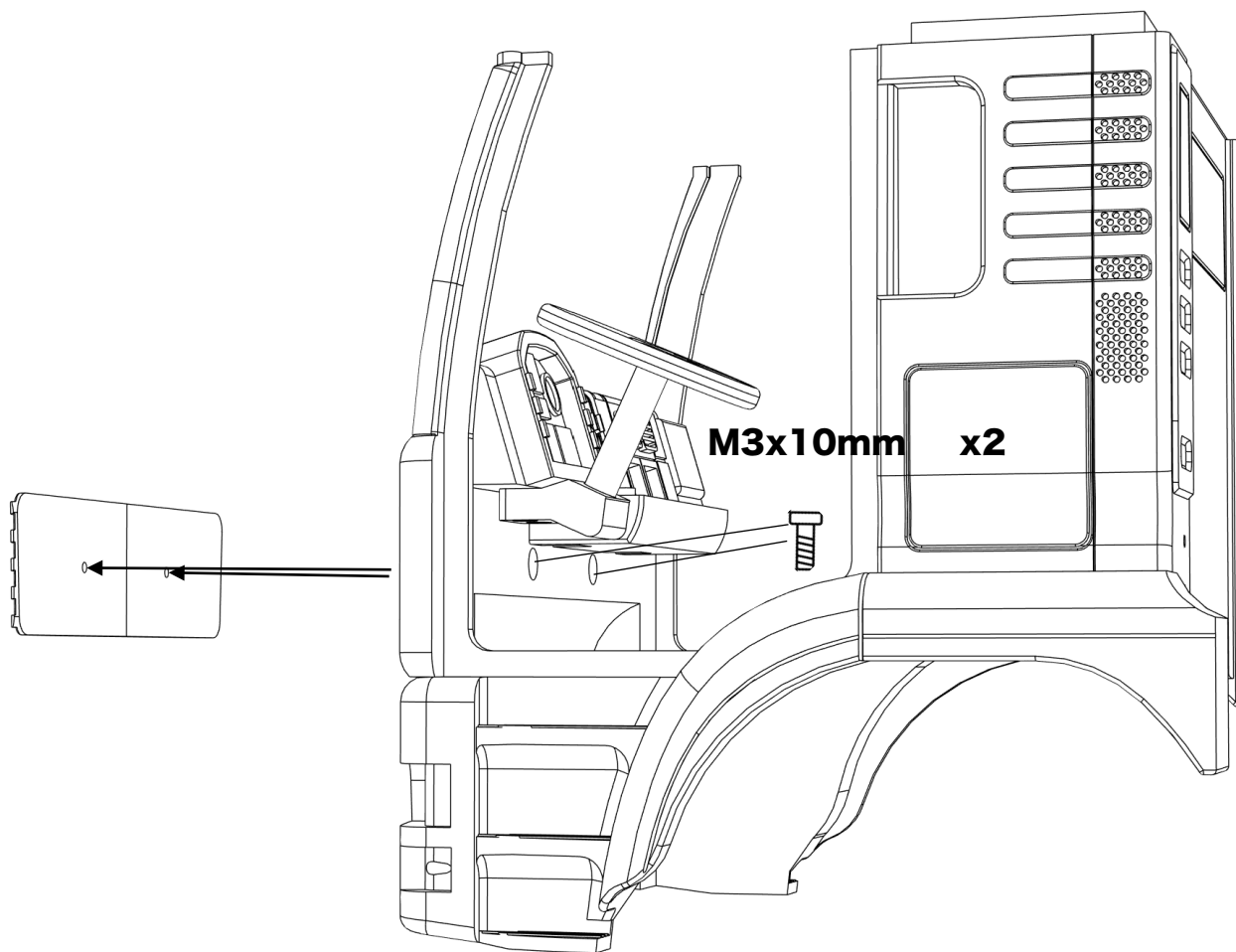
Tip: It will help to paint all of the parts before final assembly

Assembling the interior

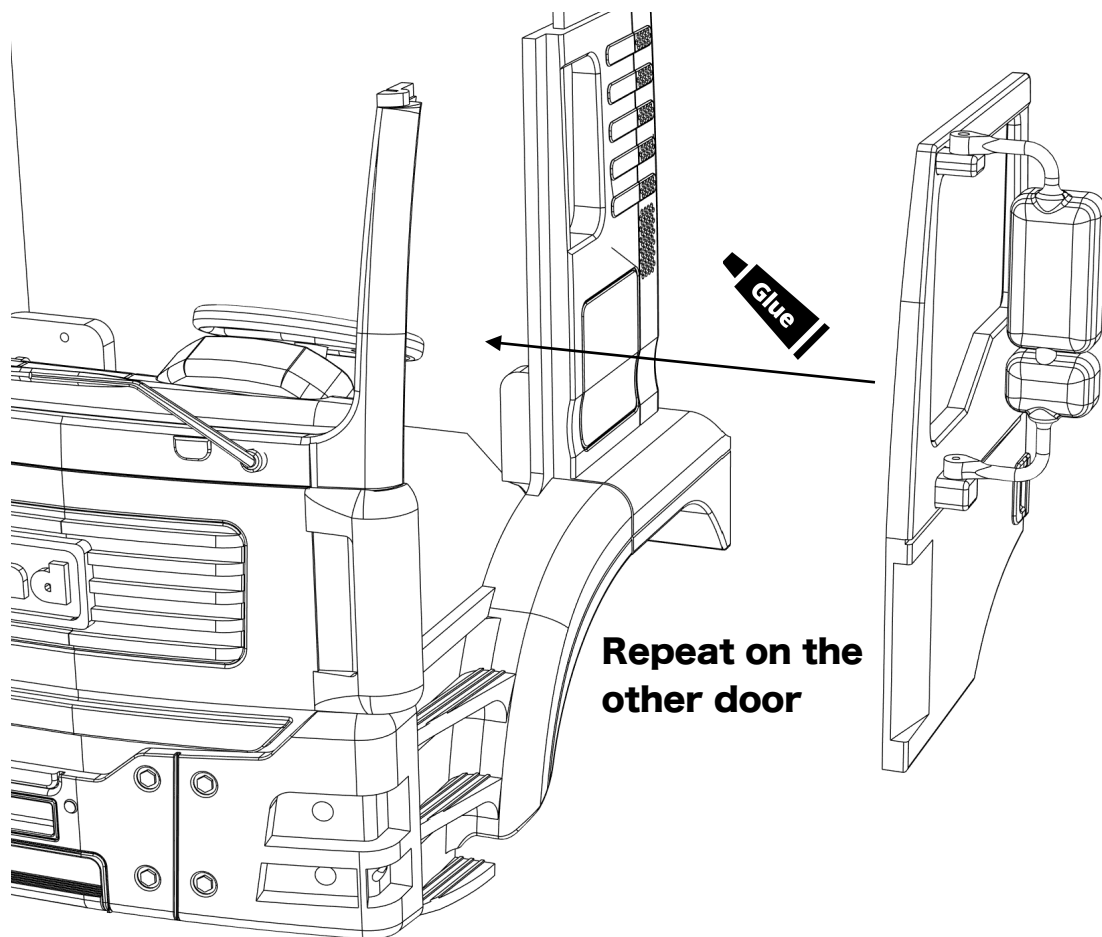
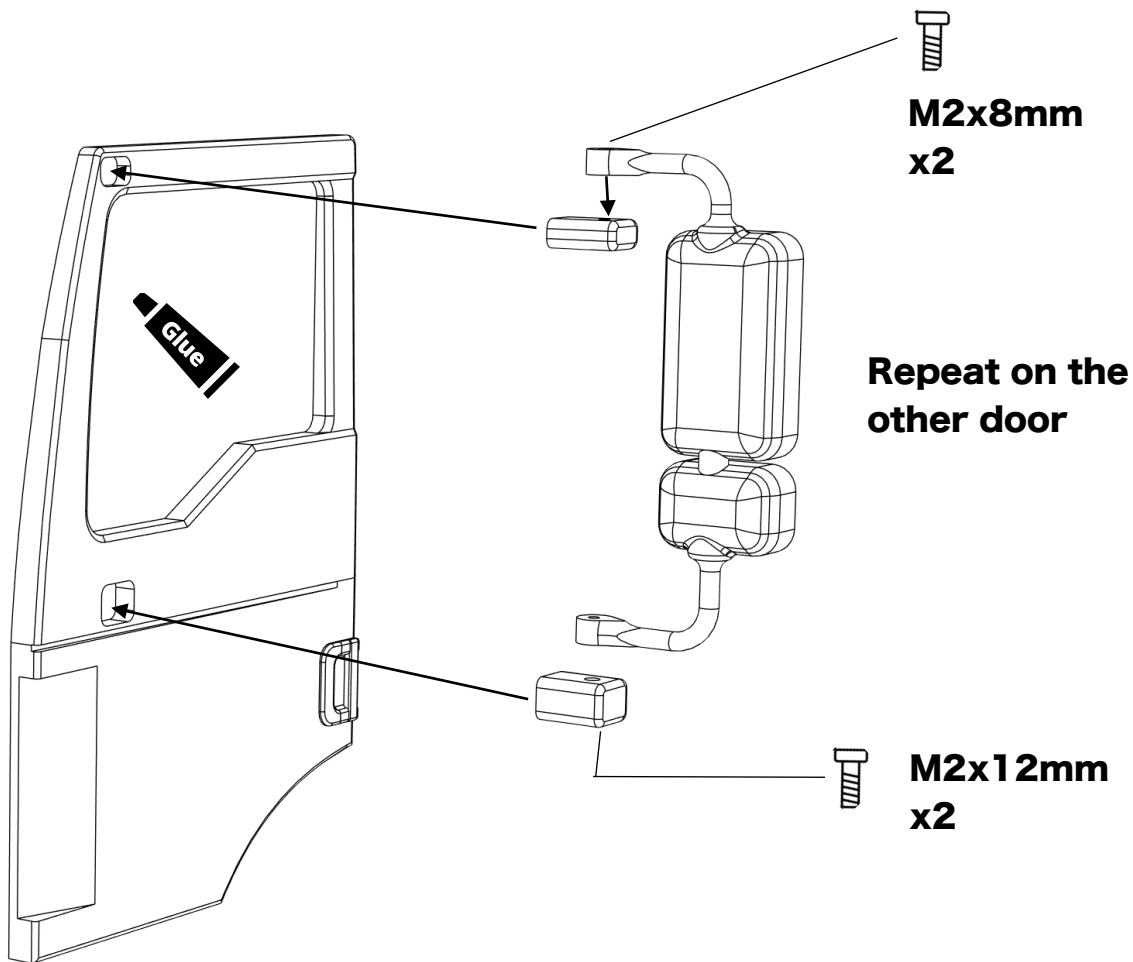




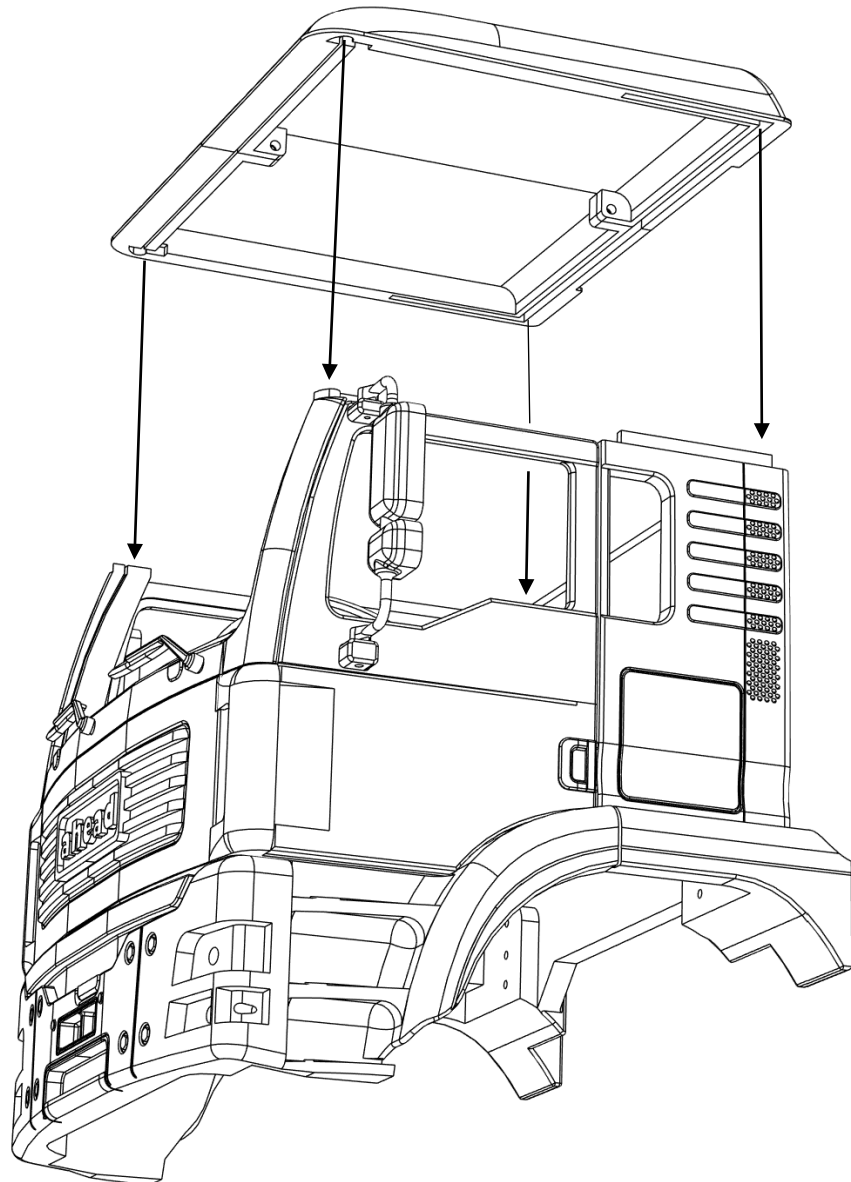
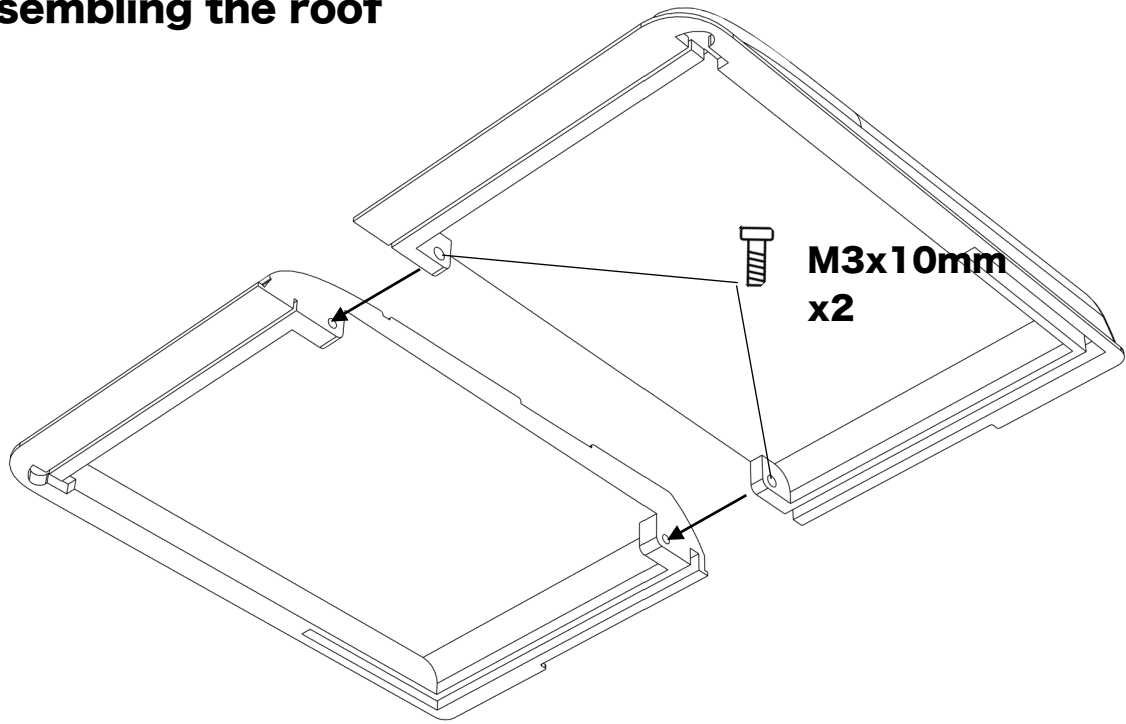
Installing the grille and wipers



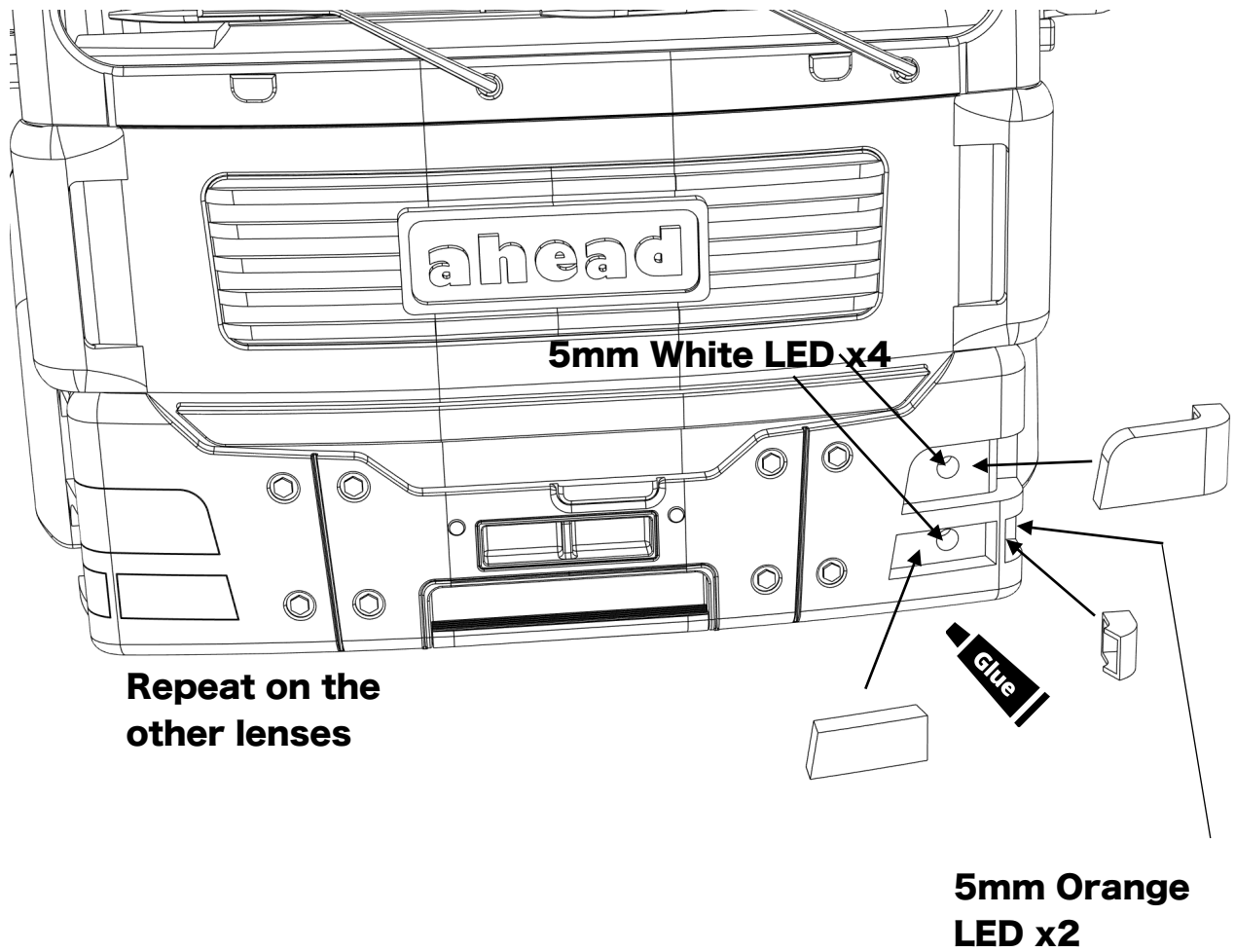
Assembling the door



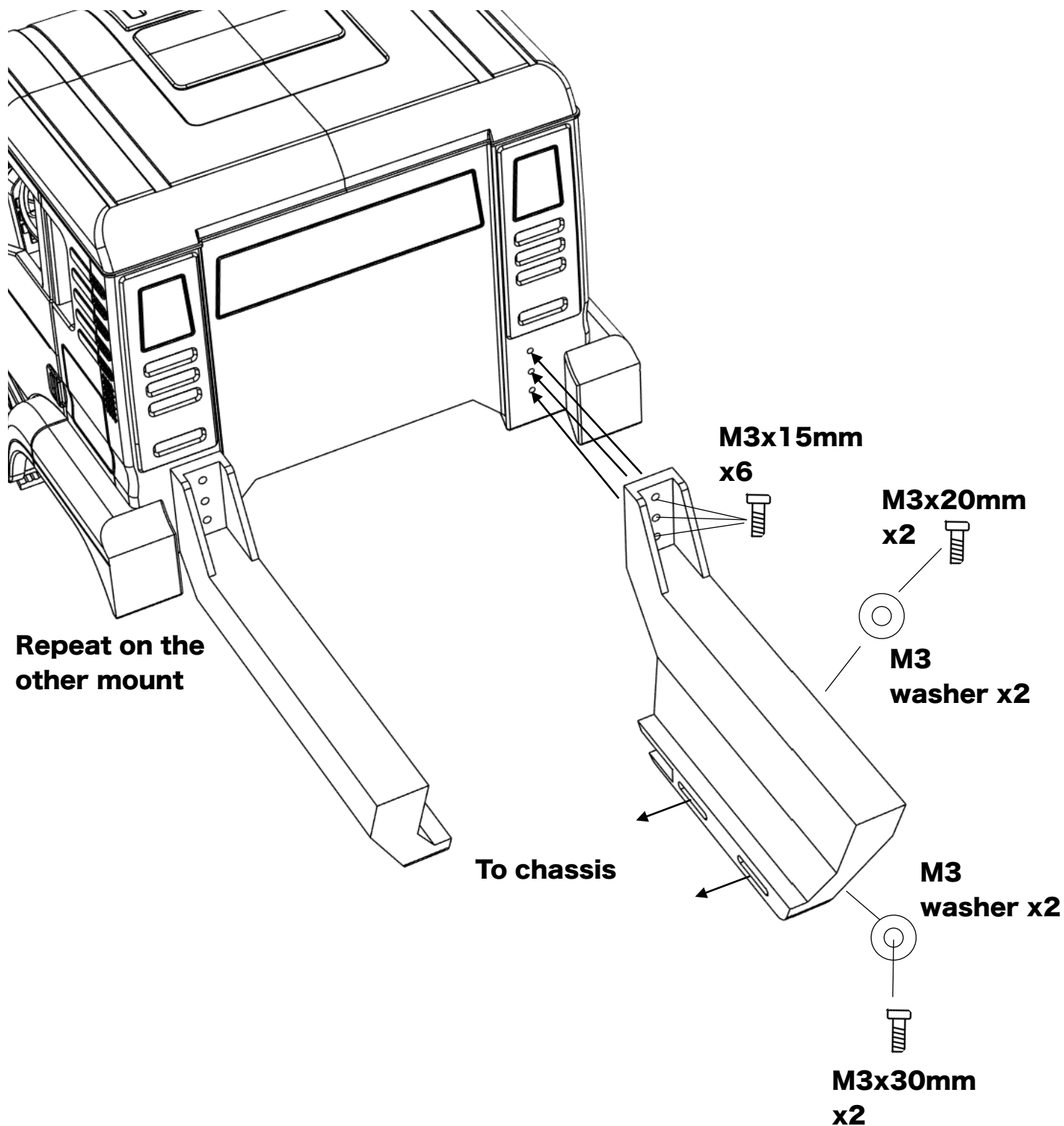
Assembling the roof



Installing the light lenses



Mounting the body chassis mounts





Body is now fully complete. Thank you for selecting ahead RC products.

If you have any questions or need help with the assembly, please do not hesitate to contact us at:

aheadrc@gmail.com

or visit us at:

www.aheadrc.com

Best of luck with your build!