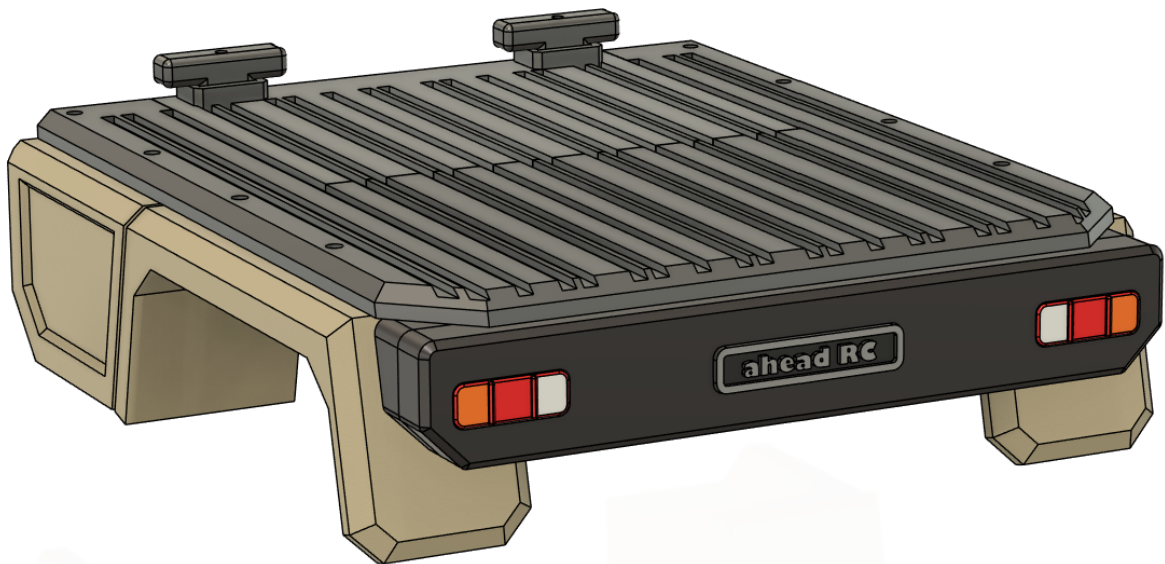


ahead RC Crawler MK23 Flatbed TRX4M Assembly Manual



Required tools and hardware

Tools

- 1.5mm Hex Driver
- 2.0mm Hex Driver
- Needle Nosed Pliers
- Instant Glue

Electronics

- 3mm White LED x2
- 3mm Orange LED x2
- 3mm Red LED x2

Hardware

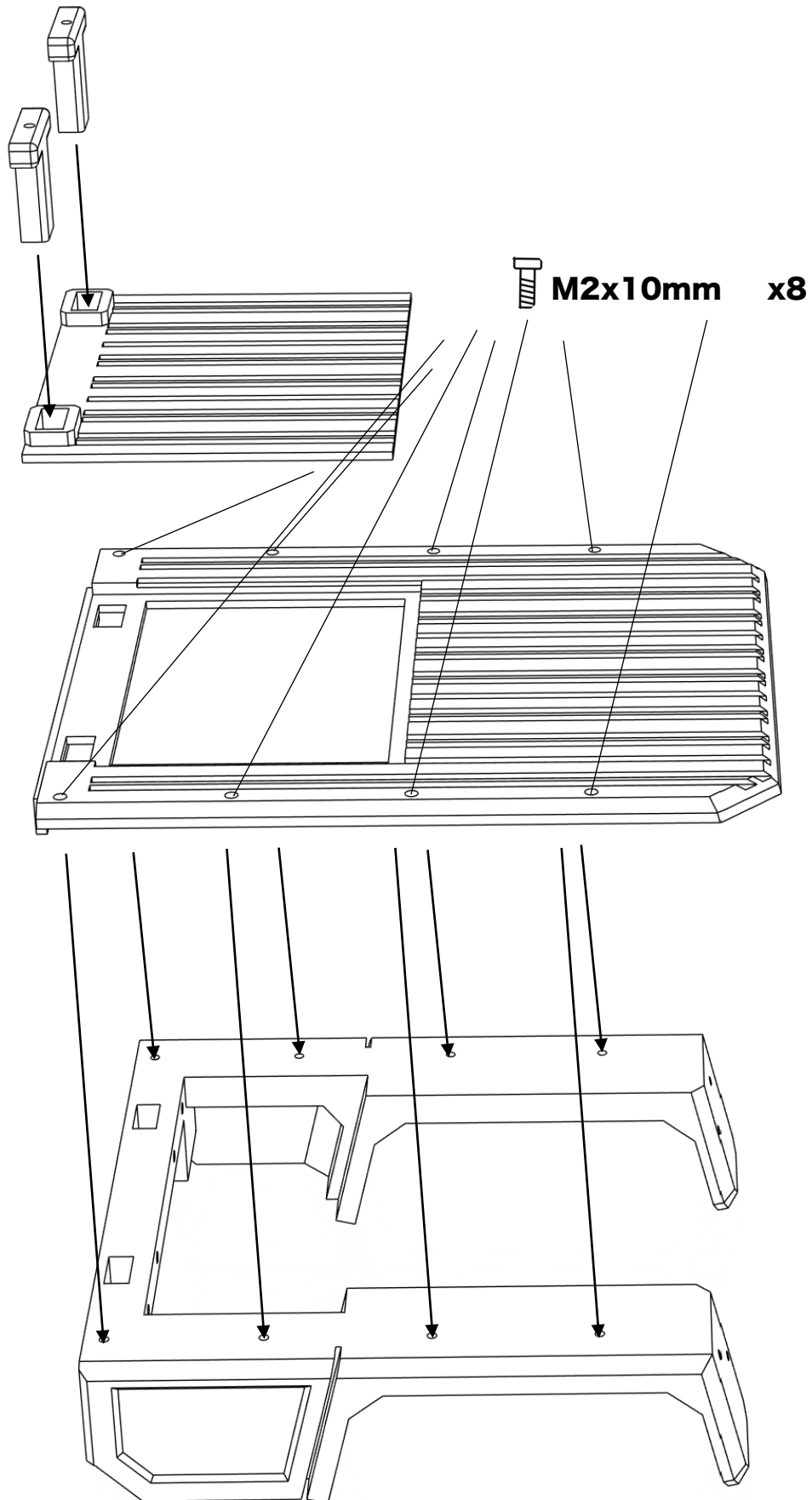
| Hardware | Quantity | Check ✓ |
|---------------------|----------|------------|
| M2*10 Socket head | 14 | |
| M2.5*15 Socket head | 4 | |

Before you begin

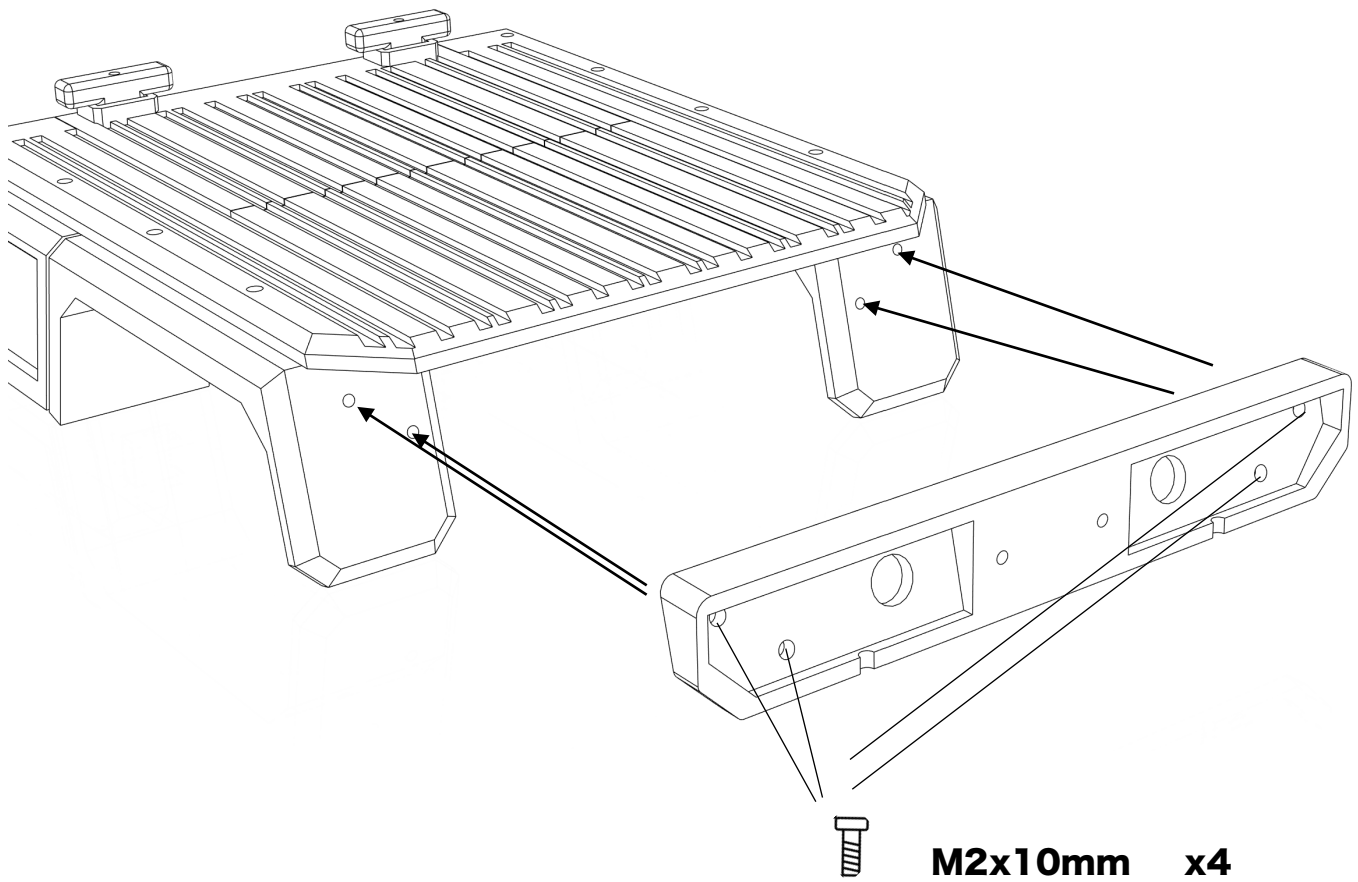
- Be sure to read through the manual and familiarise yourself with the instructions
- Visualise a plan to assemble all the pieces
- Make sure you have all of the hardware and tools
- Be sure to have enough instant glue
- Dry fit all parts before painting and assembling

Tip: It will help to paint all of the parts before final assembly

Assembling the bed



Installing and assembling the bumper

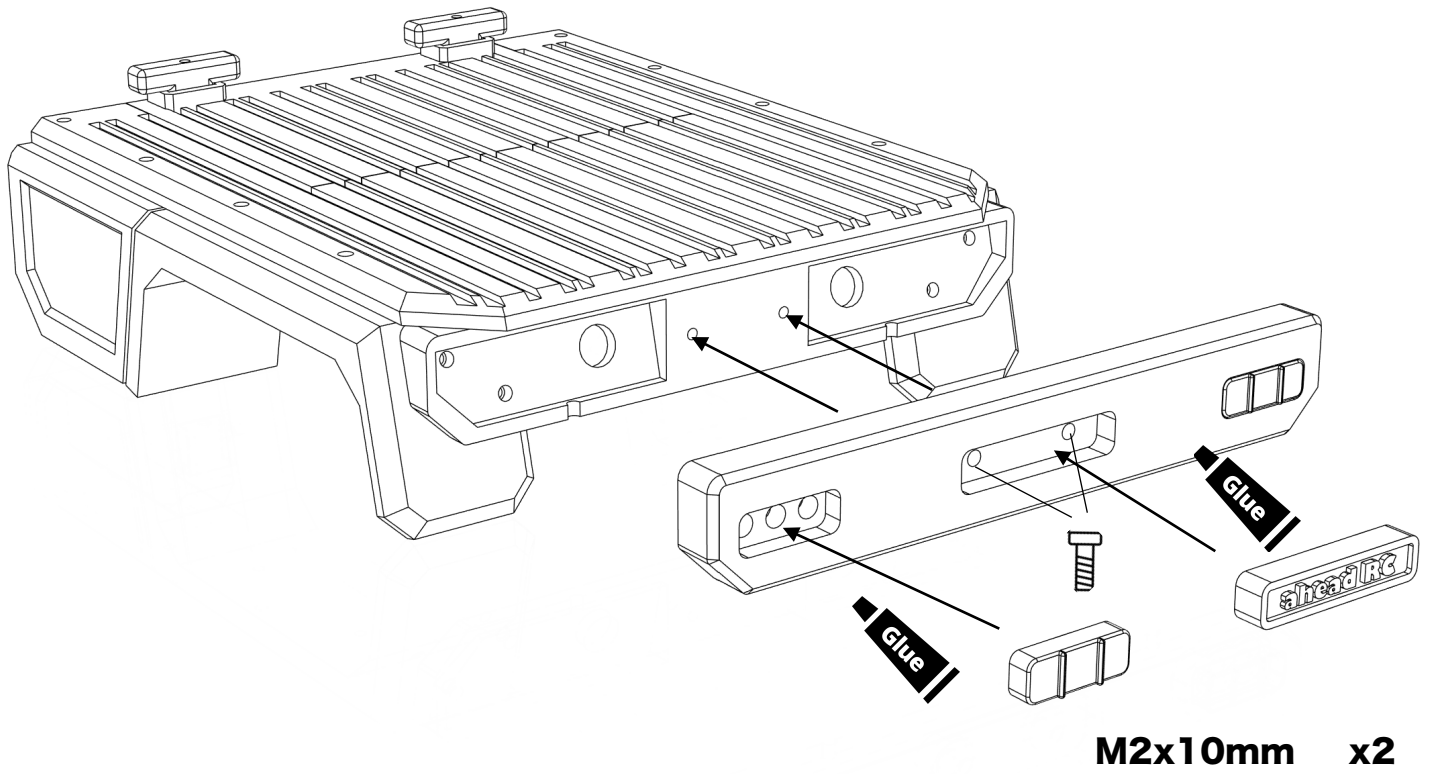


Repeat on the other side

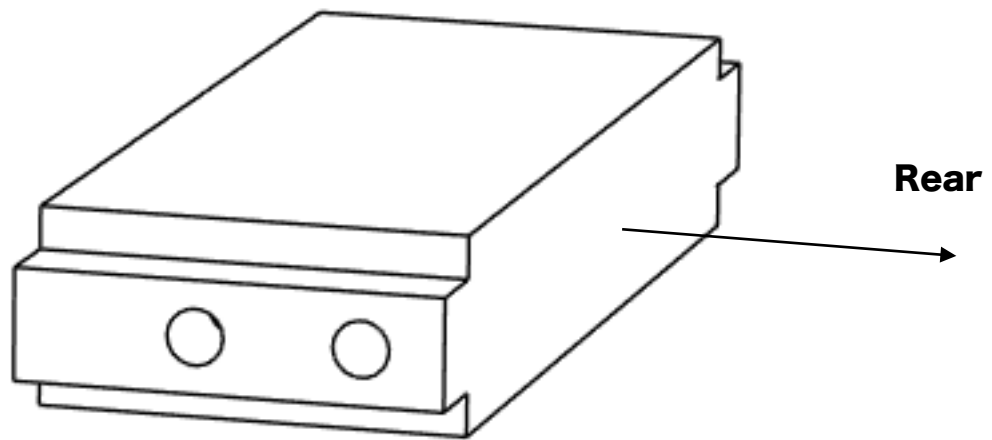
3mm White LED x2

3mm Red LED x2

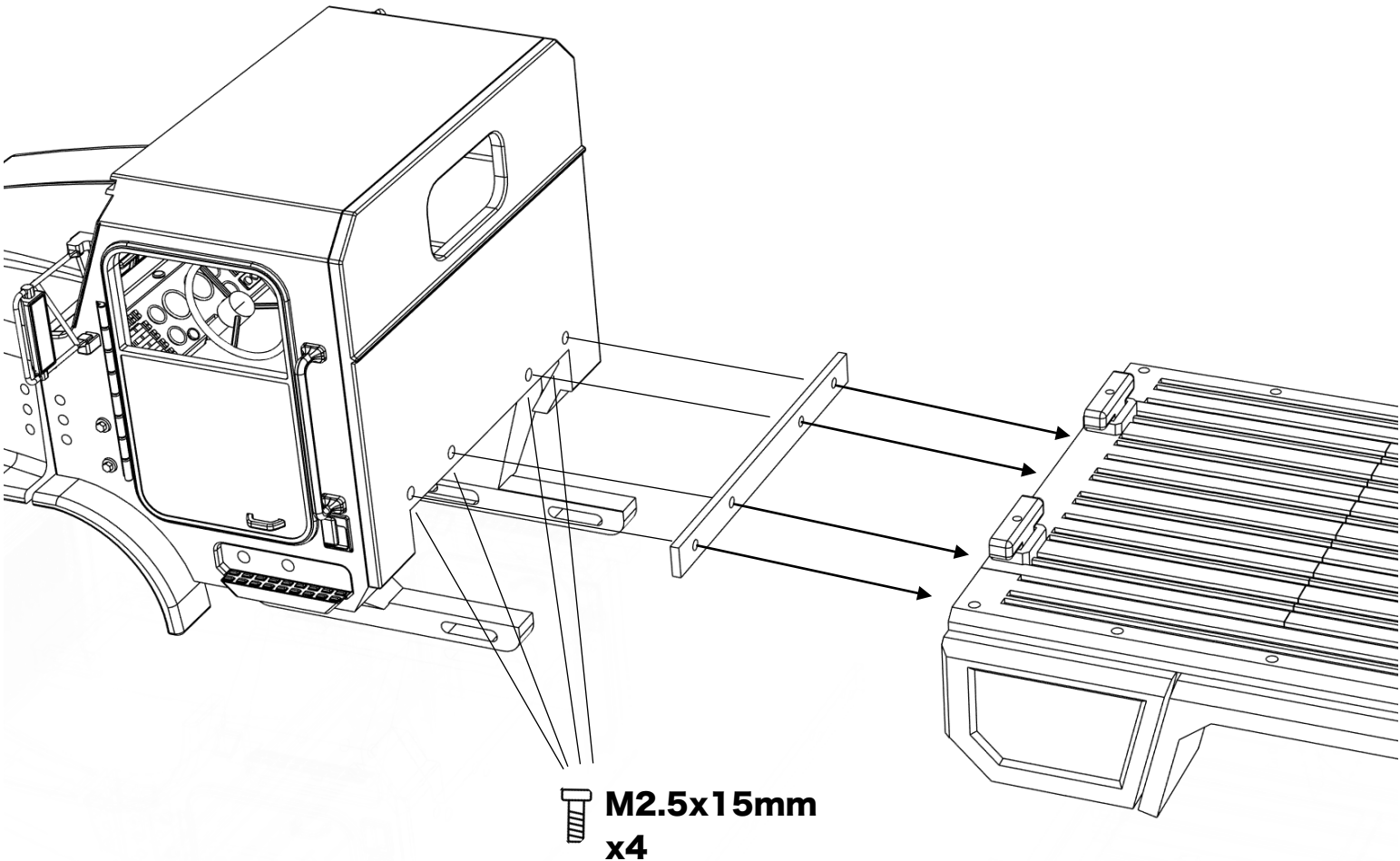
3mm Orange LED x2

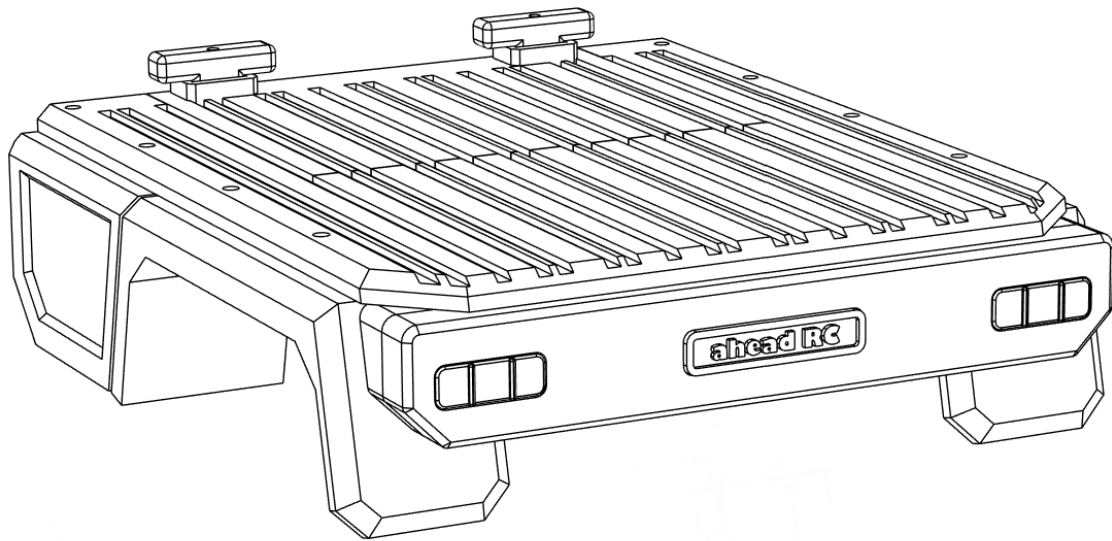


Replacing and installing the rear chassis brace



Installing the cab flatbed spacer





Body is now fully complete. Thank you for selecting ahead RC products.

If you have any questions or need help with the assembly, please do not hesitate to contact us at:

aheadrc@gmail.com

or visit us at:

www.aheadrc.com

Best of luck with your build!